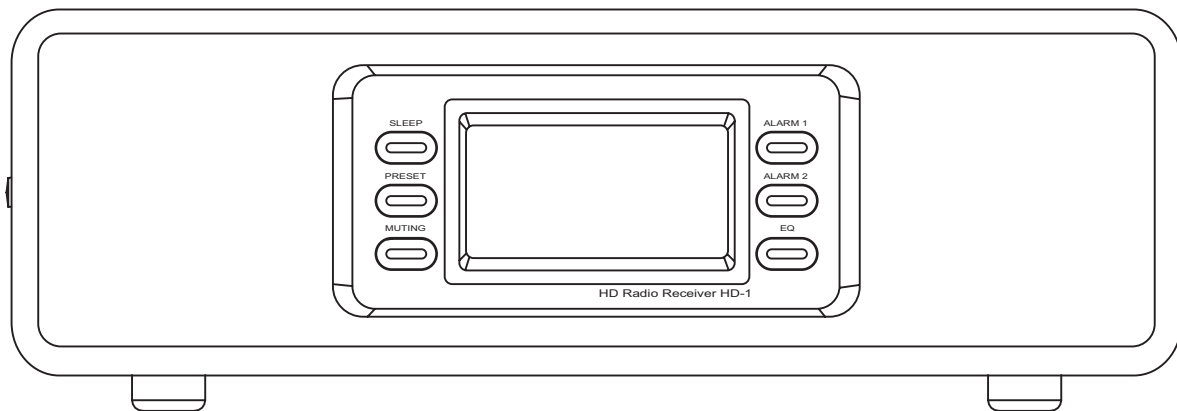




TEAC

HD-1

HD Radio™ Receiver OWNER'S MANUAL

ENGLISH



	CAUTION RISK OF ELECTRIC SHOCK DO NOT OPEN	
<p>CAUTION: TO REDUCE THE RISK OF ELECTRIC SHOCK, DO NOT REMOVE COVER (OR BACK). NO USER-SERVICEABLE PARTS INSIDE. REFER SERVICING TO QUALIFIED SERVICE PERSONNEL.</p>		




The lightning flash with arrowhead symbol, within an equilateral triangle, is intended to alert the user to the presence of uninsulated "dangerous voltage" within the product's enclosure that may be of sufficient magnitude to constitute a risk of electric shock to persons.



The exclamation point within an equilateral triangle is intended to alert the user to the presence of important operating and maintenance (servicing) instructions in the literature accompanying the appliance.

IMPORTANT SAFETY INSTRUCTIONS

- 1) Read these instructions.
- 2) Keep these instructions.
- 3) Heed all warnings.
- 4) Follow all instructions.
- 5) Do not use this apparatus near water.
- 6) Clean only with dry cloth.
- 7) Do not block any ventilation openings. Install in accordance with the manufacturer's instructions.
- 8) Do not install near any heat sources such as radiators, heat registers, stoves, or other apparatus (including amplifiers) that produce heat.
- 9) Do not defeat the safety purpose of the polarized or grounding-type plug. A polarized plug has two blades with one wider than the other. A grounding type plug has two blades and a third grounding prong. The wide blade or the third prong are provided for your safety. If the provided plug does not fit into your outlet, consult an electrician for replacement of the obsolete outlet.
- 10) Protect the power cord from being walked on or pinched particularly at plugs, convenience receptacles, and the point where they exit from the apparatus.
- 11) Only use attachments/accessories specified by the manufacturer.
- 12) Use only with the cart, stand, tripod, bracket, or table specified by the manufacturer, or sold with the apparatus. When a cart is used, use caution when moving the cart/apparatus combination to avoid injury from tip-over.
 
- 13) Unplug this apparatus during lightning storms or when unused for long periods of time.
- 14) Refer all servicing to qualified service personnel. Servicing is required when the apparatus has been damaged in any way, such as power-supply cord or plug is damaged, liquid has been spilled or objects have fallen into the apparatus, the apparatus has been exposed to rain or moisture, does not operate normally, or has been dropped.

- Do not expose this apparatus to drips or splashes.
- Do not place any objects filled with liquids, such as vases, on the apparatus.
- Do not install this apparatus in a confined space such as a book case or similar unit.
- The apparatus draws nominal non-operating power from the AC outlet with its POWER switch in the off position.
- The apparatus should be located close enough to the AC outlet so that you can easily grasp the power cord plug at any time.
- An apparatus with Class I construction shall be connected to an AC outlet with a protective grounding connection.
- Batteries (battery pack or batteries installed) shall not be exposed to excessive heat such as sunshine, fire or the like.
- Excessive sound pressure from earphones and headphones can cause hearing loss.

WARNING: TO PREVENT FIRE OR SHOCK HAZARD, DO NOT EXPOSE THIS APPLIANCE TO RAIN OR MOISTURE.

CAUTION

- DO NOT REMOVE THE EXTERNAL CASES OR CABINETS TO EXPOSE THE ELECTRONICS. NO USER SERVICEABLE PARTS ARE WITHIN!
- IF YOU ARE EXPERIENCING PROBLEMS WITH THIS PRODUCT, CONTACT TEAC FOR A SERVICE REFERRAL. DO NOT USE THE PRODUCT UNTIL IT HAS BEEN REPAIRED.
- USE OF CONTROLS OR ADJUSTMENTS OR PERFORMANCE OF PROCEDURES OTHER THAN THOSE SPECIFIED HEREIN MAY RESULT IN HAZARDOUS RADIATION EXPOSURE.

For U.S.A.

This equipment has been tested and found to comply with the limits for a Class B digital device, pursuant to Part 15 of the FCC Rules. These limits are designed to provide reasonable protection against harmful interference in a residential installation. This equipment generates, uses, and can radiate radio frequency energy and, if not installed and used in accordance with the instructions, may cause harmful interference to radio communications. However, there is no guarantee that interference will not occur in a particular installation. If this equipment does cause harmful interference to radio or television reception, which can be determined by turning the equipment off and on, the user is encouraged to try to correct the interference by one or more of the following measures:

- Reorient or relocate the equipment and/or the receiving antenna.
- Increase the separation between the equipment and receiver.
- Connect the equipment into an outlet on a circuit different from that to which the receiver is connected.
- Consult the dealer or an experienced radio/TV technician for help.

CAUTION

Changes or modifications to this equipments not expressly approved by TEAC CORPORATION for compliance will void the user's warranty.

Contents

Thank you for choosing TEAC. Read this manual carefully to get the best performance from this unit.

Important Safety Instructions 2
 Before Using the Unit 4

Connection 5
 Unit Functions 7
 Display 9
 Remote Control Unit. 9

Getting started
 Getting started 10

Operational Instructions
 Basic Operation 11
 Listening to the Radio. 12
 Storing Preset Stations 12
 HD Radio stations 13
 HD TAG 13
 Listening to your iPod or iPhone 14
 iPod video output 14

Listening to a non-docking iPod or other portable audio devices 15
 LINE Out Operation 15

Setting the Clock Time and Calendar 16
 Setting the Alarm Time. 16
 Using the Alarm 17
 Snooze/Dimmer Operation 17
 Sleep Operation 18

Specifications 18
 Troubleshooting 19

Before Using the Unit

Read this before operation

- As the unit may become warm during operation, always leave sufficient space around the unit for ventilation.
- The voltage supplied to the unit should match the voltage as printed on the rear panel. If you are in any doubt regarding this matter, consult an electrician.
- Choose the installation location of your unit carefully. Avoid placing it in direct sunlight or close to a source of heat. Avoid locations subject to vibrations and excessive dust, heat, cold or moisture.
- Do not place the unit on any other electronic components.
- Do not open the cabinet as this might result in damage to the circuitry or electrical shock. If a foreign object should fall into the unit, contact your dealer or service company as soon as possible.
- When removing the power plug from a wall outlet, always pull directly on the plug. Do not pull on the line cord.
- Do not attempt to clean the unit with chemical solvents as this might damage the finish. Use a clean, dry, lint-free cloth.
- Keep this manual in a safe place for future reference.

Maintenance

- Place the unit on a level surface away from sources of direct sunlight or excessive heat.
- Protect your furniture when placing your unit on a natural wood and lacquered finish. A cloth or other protective material should be placed between it and the furniture.
- Clean your unit with a soft cloth moistened only with mild soap and water. Stronger cleaning agents, such as Benzine, thinner or similar materials can damage the surface of the unit.

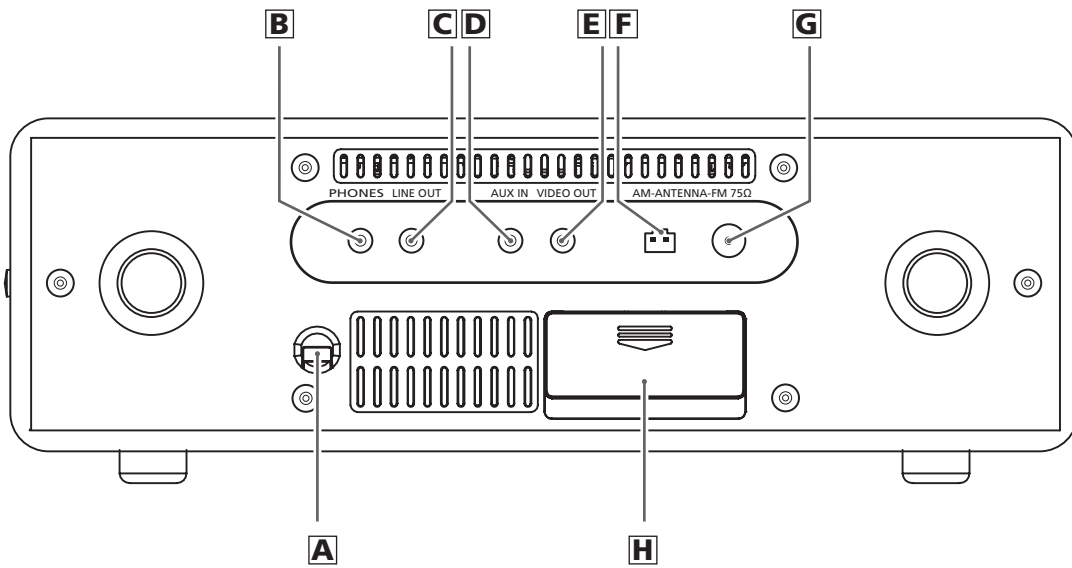
Beware of condensation

When the unit is moved from a cold to a warm place, or used after a sudden temperature change, there is a danger of condensation; vapor in the air could condense on the internal mechanism, making correct operation impossible. To prevent this, or if this occurs, leave the unit for one or two hours with the power turned on. The unit will stabilize at the temperature of its surroundings.

Connection

CAUTION

- Switch off (standby) the power before making connections.
- Read the instructions of each component you intend to use with this unit.
- Be sure to insert each plug securely. To prevent hum and noise, do not bundle the connection cords .



- A** AC power cord
- B** Phones jack
- C** Line out jack
- D** AUX IN jack
- E** Video out jack
- F** AM loop antenna connector
- G** FM antenna jack
- H** Battery compartment

Connection

A AC Power Cord

Be sure to connect the power cord to an AC outlet which supplies the correct voltage.

Hold the power plug when plugging or unplugging the power cord. Never pull or yank on the power cord.

B Phones jack

For private listening, first reduce the volume level to minimum. Then insert the plug from your headphones into the PHONES jack, and adjust the volume using the VOLUME knob. The sound from the speakers is cut off while the headphone jack is inserted.

CAUTION

Always lower the volume level prior to plugging in your headphones. TO AVOID DAMAGING YOUR HEARING - Do not place your headphones on your head until after you have plugged them in.

C Line out jack

You can connect this unit to an external amplifier, Connect the pin cords. Make sure to connect to MINI PLUG JACK.

NOTE :

- This output jack is a "line level" output. Do NOT connect to the "PHONO" jack on your amplifier or distortion may occur.
- The volume level of line output cannot be adjusted by the VOLUME control knob of this unit. Use the volume control of your amplifier to adjust the volume.

D AUX IN jack

You can connect a portable audio player to this jack. Connect the LINE OUT or PHONES jack (audio output jack) of the player using the supplied stereo mini plug cable.

When using the PHONES jack of your mini player, you must adjust the volume of the mini-player or you may hear no sound from your HD-1.

E VIDEO OUT jack

This terminal outputs video signal from iPod. Use an RCA (pin) video cable to connect the Dock to the composite video connector of a television or monitor.

F AM loop antenna connector

Connect the supplied AM loop antenna to the AM ANTENNA connector. Place the antenna in the direction which gives the best reception.

G FM antenna jack

While in FM mode, tune in an FM station and extend the lead to find the best position for the reception. This antenna may need to be repositioned if you move your unit to a new location.

H Battery compartment

The battery supplies a backup power to the builtin clock and preset, when the unit is momentarily disconnected from the AC outlet.

1. Remove the lid.
2. Insert two AAA batteries.
3. Replace the lid.

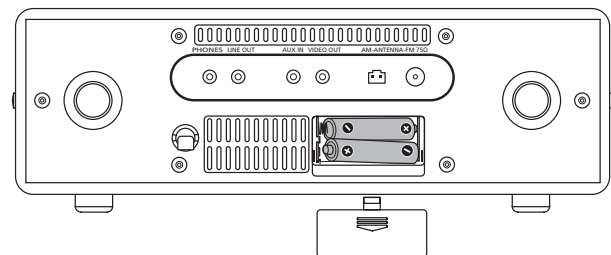
Battery replacement

If the clock comes to indicate the wrong time, replace the battery with a new one.

Precautions concerning AAA/UM-3 battery

< Be sure to insert the battery with correct positive "+" and negative "-" polarities. >

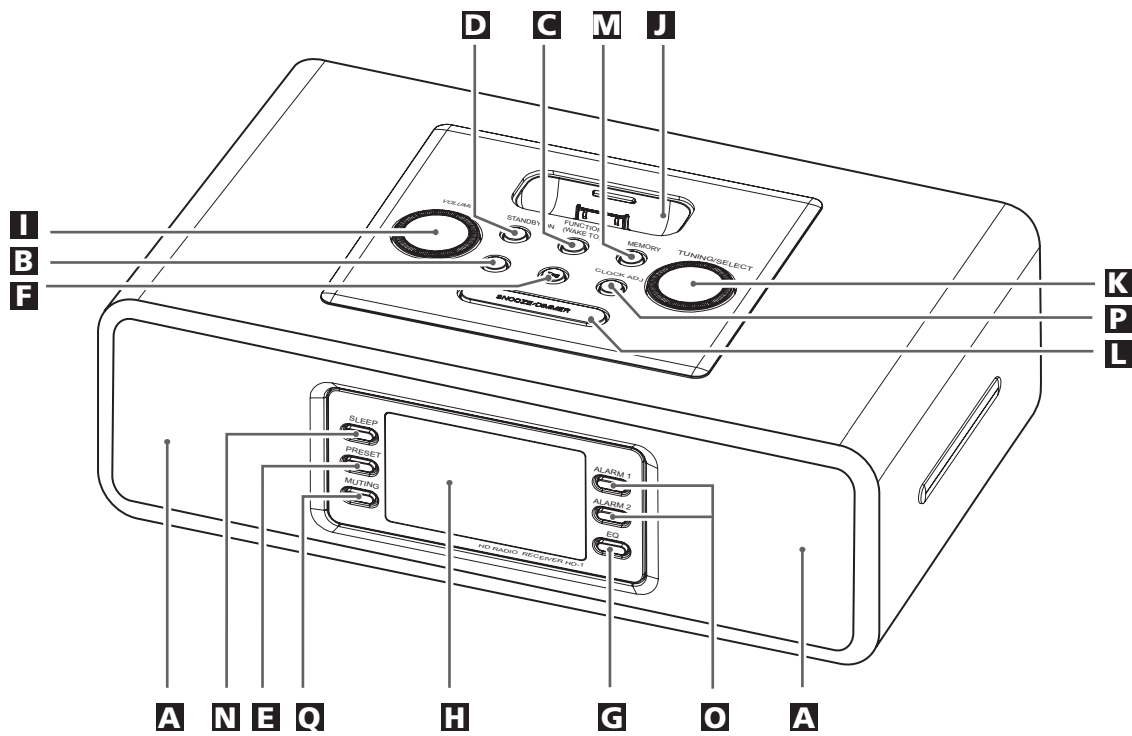
< Do not heat or disassemble battery and never dispose of old battery by throwing them in a fire. >



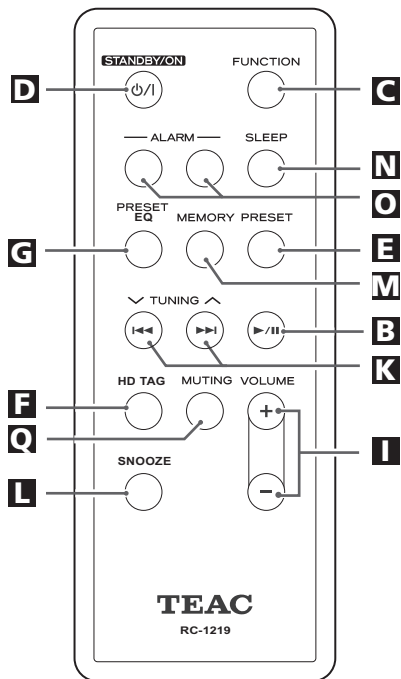
NOTE :

- The battery should be removed when not using it in a long term.
- The battery must use an alkaline battery on the market.

Unit Functions



ENGLISH



- A** Stereo Speakers
- B** PLAY/PAUSE (▶/II)
- C** FUNCTION/WAKE TO
- D** STANDBY/ON
- E** PRESET
- F** HD TAG
- G** EQ
- H** LCD DISPLAY
- I** VOLUME
- J** iPhone / iPod Dock
- K** TUNING /SELECT
- L** SNOOZE / DIMMER
- M** MEMORY
- N** SLEEP
- O** ALARM 1
ALARM 2
- P** CLOCK ADJ
- Q** MUTING

NOTE :

To simplify explanations, instructions in this manual refer to the names of the buttons and controls on the front panel only. Associated controls on the remote control will also operate similarly.

Unit Functions

A Speakers (Stereo)

B PLAY/PAUSE (▶/⏸)

In iPod mode, use this button to start or pause playback.

C FUNCTION

Use these buttons to select the source you want to listen to.

D STANDBY/ON (⏻/⏻)

Use this button to turn the unit on or standby.

E PRESET

In TUNER mode, use these buttons to select a preset station.

F HD TAG

One touch "iTunes Tagging" ; tag a currently playing song from HD Radio receiver and download it to your iPod.

G EQ

Use this EQ button to select ROCK, POP, CLASSIC, JAZZ, BASS or NORMAL for the desired sound effect.

H Display

I VOLUME

Turn the knob to adjust the volume level.

J iPhone / iPod Dock

Before use, insert an appropriate Dock adapter in the Dock. Insert an iPod or iPhone mobile digital device into this dock.

K TUNING/SELECT (◀◀/▶▶, √/∧)

In TUNER mode, use these buttons to tune in a station. iPod mode, use these buttons to skip tracks. Hold down this button to search for a part of a track.

L SNOOZE/DIMMER

After the TIMER ON time is reached, use this button to turn the unit off for 6 minutes. This button is also used for display dimming.

M MEMORY

In TUNER mode, use this button to store preset channels into memory.

N SLEEP

Use this button to set sleep timer.

O ALARM 1, ALARM 2

Hold down these buttons for more than 2 seconds to enter the alarm setting mode.

These buttons are also used to turn on or off the ALARM function.

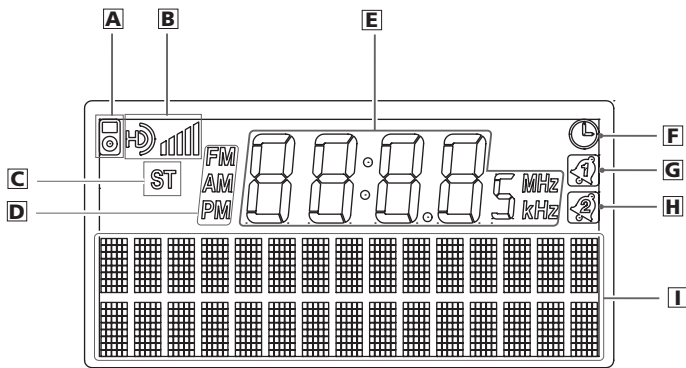
P Clock ADJ

This button is used for clock adjustment and to set the time and Calendar.

Q MUTING

Use this button to mute the sound.

Display



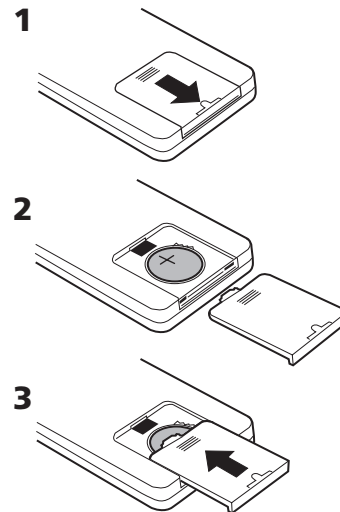
- A** iPod or iPhone indicator
- B** HD Radio indicator
- C** FM STEREO indicator
- D** Band FM/AM, clock, AM/PM indicator
- E** Time/Frequency Readout
- F** SLEEP indicator
- G** ALARM 1 indicator
- H** ALARM 2 indicator
- I** RBDS Messages/FUNCTION indicator

Remote Control Unit

The provided Remote Control Unit allows the unit to be operated from a distance.

When operating the remote control unit, point it towards the remote sensor on the front panel of the unit.

- Even if the remote control unit is operated within the effective range (5m), remote control operation may be impossible if there are any obstacles between the unit and the remote control.
- If the remote control unit is operated near other products which generate infrared rays, or if other remote control devices using infrared rays are used near the unit, it may operate incorrectly. Conversely, the other products may also operate incorrectly.



Getting started

The HD-1 comes mounted with an adapter for iPod with "iPod classic(160G)+iPhone 2G/3G". To play your iPod through the HD-1, you have first to check if the factory mounted adapter fits your model of iPod. If it does not, you have to replace it with a correct one, as explained below.

1 Remove the adapter from the Dock of the HD-1.

Hold the left and right sides of the adapter and gently pull it up.

2 This unit includes dock adapters as follows:

"nano" for iPod nano 1st and 2nd generations.

"60GB (color) + Photo 40GB/60GB" for iPod with Click Wheel (40 GB), iPod with color display.

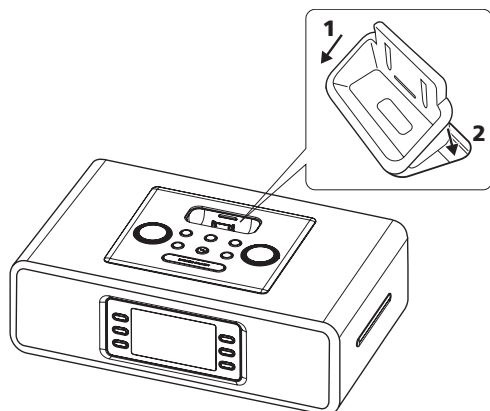
"20GB + U2" for iPod with Click Wheel (20 GB, U2 Special Edition).

iPod classic (160G) + iPhone 2G/3G (Premounted)

- Use a commercially available adapter or a supplied one with your iPod to play other iPods.

3 Insert the adapter into the Dock of the HD-1.

Fit the front edge of the adapter into the Dock, and then press the back edge of the adapter onto the Dock until a slight "click" is heard indicating the adapter is inserted correctly.



Power Source

- This HD Radio Receiver operates from AC120V/60Hz line power supply.
- The Remote Control operates on 1 Lithium battery, CR2032 (Included).

Insert the AC plug into a standard 120V AC outlet . The Radio will automatically go into standby mode.

NOTE :

The system has an AC plug and will only fit into matching AC outlets. This is a safety feature to reduce the possibility of electric shock. If the plug will not fit in your AC outlets, you should have the outlet changed by a qualified, licensed electrician. Do not use an adapter to make the plug fit into your outlet. This defeats the safety feature and could expose you to electric shock.

Protect your Furniture

This model is equipped with non-skid rubber 'feet' to prevent the product from moving when you operate the controls. These 'feet' are made from non-migrating rubber material specially formulated to avoid leaving any marks or stains on your furniture. However certain types of oil based furniture polishes, wood preservatives, or cleaning sprays may cause the rubber 'feet' to soften, and leave marks or a rubber residue on the furniture. To prevent any damage to your furniture we strongly recommend that you purchase small self-adhesive felt pads, available at hardware stores and home improvement centers everywhere, and apply these pads to the bottom of the rubber 'feet' before you place the product on fine wooden furniture.

Compatible iPod Software

In case your iPod will not work with the HD-1 or with the remote control unit, software update may solve the problem. Visit the Apple website and download the latest iPod Software.

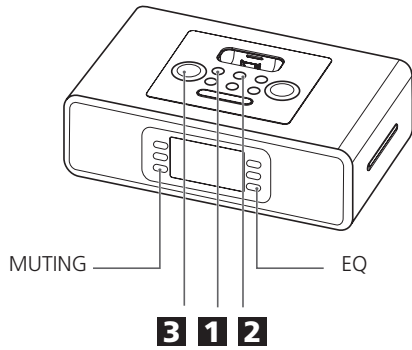
<http://www.apple.com/uk/ipod/download/>

"Made for iPod" means that an electronic accessory has been designed to connect specifically to iPod and has been certified by the developer to meet Apple performance standards.

"Works with iPhone" means that an electronic accessory has been designed to connect specifically to iPhone and has been certified by the developer to meet Apple performance standards.

Apple is not responsible for the operation of this device or its compliance with safety and regulatory standards.

Basic Operation



1 POWER ON

Press the **STANDBY/ON** button to turn the unit on.

- The unit turns on with the source that was last selected. If the iPod that is in playback mode is inserted into the Dock, the HD-1 will automatically turn on and start playback of the iPod.

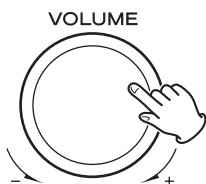
2 SELECT SOURCE

Press the **FUNCTION/WAKE TO** button to select a source.

- To listen to an external source connected to the AUX IN jack, select AUX.
- If you select "iPod" when no iPod is docked, the iPod indicator "No iPod" on the display.

3 VOLUME ADJUSTMENT

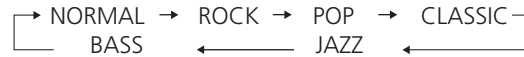
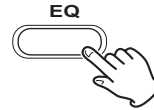
Turn the **VOLUME UP** or **DOWN** knob on the HD-1 (or press **Volume+** or **Volume-** button on the remote control) to adjust the system volume.



The volume is adjustable from MIN (0) to MAX (32). Hold down the **VOLUME -** or **+** button to turn down or up the volume continuously.

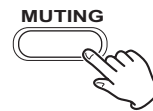
EQ FUNCTION

Press the **EQ** button to select ROCK, POP, CLASSIC, JAZZ, BASS or NORMAL for the desired sound effect.



MUTING FUNCTION

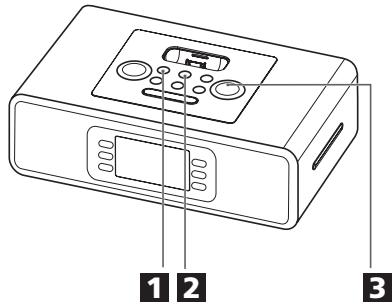
To mute the sound temporarily, press the **MUTING** button. Press the **MUTING** button again to restore the sound.



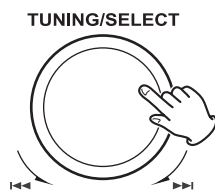
- The "MUTE" indicator lights on the display to indicate that the muting is engaged.
- If you change the volume or source during the muting, the muting will be cancelled.

Listening to the Radio

Extend the FM wire antenna fully for best reception (do not strip, alter or attach to other antennas). The AM loop antenna should be placed up to 12" away from the unit for best reception. Rotate the AM loop antenna as required for best reception.



- 1** Press the **STANDBY/ON** button to turn on the unit.
- 2** Press the **FUNCTION/WAKE TO** button on the HD-1 to select AM or FM band to listen to the radio. The radio frequency appears at the center of the display.
- 3** Turn the **TUNING/SELECT** knob on the HD-1 (or press **◀◀** or **▶▶** on the remote control) to tune in the desired station. Press and hold the **◀◀** or **▶▶** on the remote control for 2 seconds to Auto scan to the next clear station.



Storing Preset Stations

This unit allows you to program 20 stations on FM band and 10 stations on the AM band.

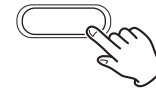
- 1** Turn the **TUNING/SELECT** knob on the HD-1 (or press **◀◀** or **▶▶** on the remote control) to tune to the station you wish to store.
- 2** Press the **MEMORY** button once to store the station.

MEMORY



- 3** While preset number indicator flashing on the display, press **PRESET** button repeatedly to select preset station.

PRESET



- 4** Press **MEMORY** button again to confirm after your preset number selected.
To store more stations, repeat steps **1** to **3**.

How to select a preset station

- 1** To select **FM** or **AM**, press the **FUNCTION/WAKE TO** button.
- 2** Press the **PRESET** button on the unit repeatedly until the desired preset station is found.

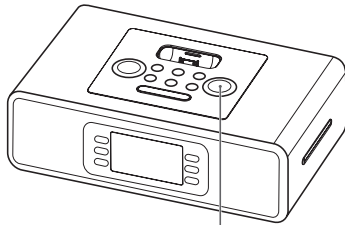
NOTE :

- If the preset memory mode is open and no button is pressed for 10 seconds, the preset memory mode will quit unless the **MEMORY** button is pressed before then to confirm and close the preset memory mode. No frequency will be stored after the 10 seconds runs out.

HD Radio stations

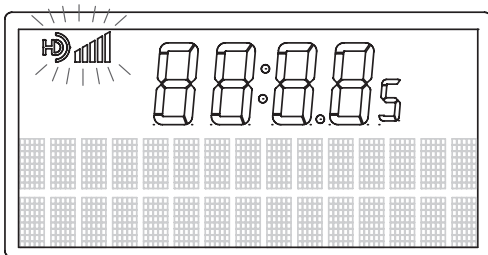
To select **FM** or **AM**, press the **FUNCTION/WAKE TO** button.

You can listen to your favorite radio stations on this unit by turning the **TUNING/SELECT** knob (or pressing **◀◀** or **▶▶** on the remote control).



TUNING/SELECT

When an HD Radio signal is received, the HD icon lights on the display.



NOTE :

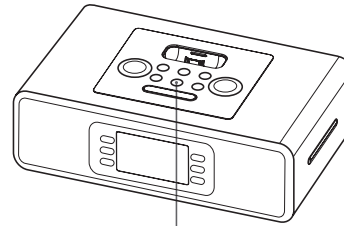
- When an analog signal is received, the HD icon is not displayed.
- When a digital HD Radio signal is received, the HD icon lights on upon the display.

Support iTunes Tagging function

- iPod with video(5G iPod)
- iPod classic
- 3G nano/4G nano
- iPhone 2G/3G
- 2G iPod Touch/2G iPod Touch
(software must use the latest version:<2008.Dec.>)
- iTunes tagging does not work on some older Apple products not originally equipped with this feature. Please contact Apple Inc. for compatibility.

HD TAG

- 1** While listening to broadcast music on an HD Radio Receiver, the user can hear a song and tag it for feature review or purchase from Apple iTunes store by pressing the **HD TAG** button.



HD TAG

- 2** The radio equipped with an **HD TAG** button store data for the currently playing song. The user can tag the song without needing to know anything about it or its originating station. The song information is stored on the radio until your iPod is connected to it.

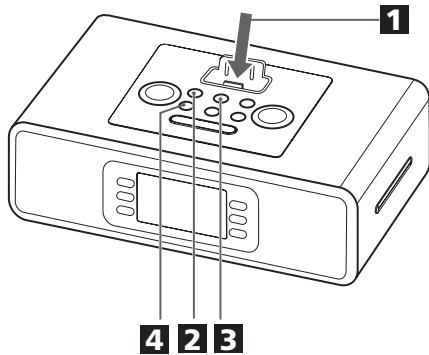


- 3** When your iPod is connected to it, the unit will transfer the tagged song information to your iPod. Then your iPod stores the data until it is synched with iTunes.
- 4** When your iPod is connected to your computer, iTunes will imports the tag data, analyze it, and present it to the user in the form of a tagged play list. iTunes then displays the song title, artist, album and other information for each tagged song.
- 5** With iTunes, you can save, review or delete any item in the tagged play list and easily purchase any of the listed titles through iTunes.

NOTE :

- HD tagging function can store **50** songs.

Listening to your iPod or iPhone



- 1** Insert the iPod or iPhone into the Dock
- 2** Press the **STANDBY/ON** button to turn on the unit.
- 3** To select iPod mode
Press the **FUNCTION/WAKE TO** button (or press **FUNCTION** button on the remote control) to select iPod mode. You will hear the music playing from your iPod or iPhone, and an iPod or iPhone icon will appear on the LCD display to indicate iPod or iPhone Playing mode.
- 4** Press the **PLAY/PAUSE** button (▶/⏸) again to pause play; press again to resume play.
 - press the STANDBY/ON button to turn it off. Your iPod or iPhone will continue charging while in the dock.
 - Make sure to use an appropriate Dock adapter (see "Getting Started" on page 10).
 - When headphones are plugged into the iPod, sound comes from both the speakers of the HD-1 and the headphones.

Using your iPhone

- 1** When your iPhone is successfully detected in the dock, the "iPod" is shown on the display.
- 2** During playback, hold ◀◀ or ▶▶ on the remote control to start high speed search. When the desired passage is found, release the key. Normal playback will resume.
- 3** You can watch your favorite movies on your iPhone screen or TV.
- 4** If there is an incoming call during playback of music or movies, the word "Decline" or "Answer" will appear on the iPhone screen * if your iPhone is unlocked (or has warning notice "side to unlock"). Normal playback will resume at the end of the call.

NOTE :

*: if your iPhone is unlocked, the iPhone will be return the movies Menu, can not auto play.

iPod video output

Docking an iPod to this system

You can connect iPod video on TV through the VIDEO OUT in yellow jack at the back of the unit.

- Make the following settings on your iPod's menu to output video to a TV via this system's dock.
In the [Video] menu, select [Video Settings]. Set [TV OUT] to [On] or [Ask].
If you have set [TV OUT] to [Ask], your iPod prompts you each time you play a video to specify whether to output it to a TV.

NOTE :

If you output video to a TV from your iPod, the video is not displayed on the iPod's screen.
*iPod touch does not contain this menu. You will have to specify whether to a output video to a TV each time you play it.

*: Old version software.

Using the alarm on your iPod touch or iPhone

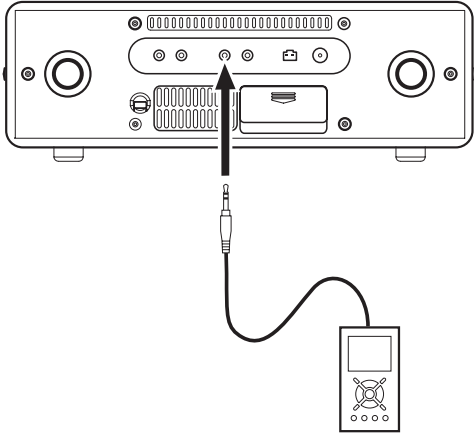
- If you specify [Slide to power off] on your iPod touch, you cannot use the alarm even if the iPod touch is docked to this system.

To use the alarm on your iPod touch, do not select [Slide to power off]. (The screen can be turned off without any problem.)
- If Video is displayed on your iPod touch's screen, you cannot use the alarm even if the iPod touch is docked to this system. To use the alarm on your iPod touch, select any item other than Video.
- If video is displayed on your iPhone. You can not use the alarm by video. the alarm of iphone will be music automatically.

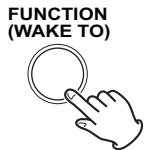
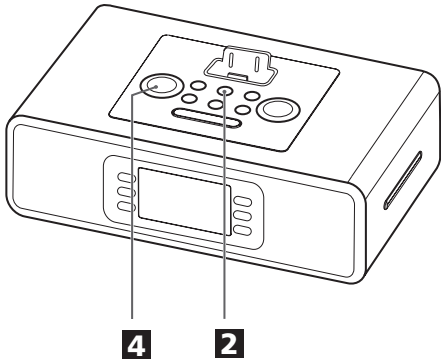
Listening to a non-docking iPod or other portable audio devices

If you are using your iPod without a docking port, other MP3 player or other portable audio device, it can still be played on the HD-1.

1 Connect the PHONES jack (audio output jack) of a portable audio player to the **AUX IN** jack of the HD-1 using the supplied stereo mini plug cable.

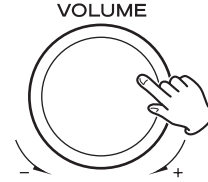


2 Select "AUX" using the **FUNCTION/WAKE TO** button.



3 Turn on and play your device.

4 Turn the **VOLUME** knob on the unit (or press **Volume+/-** buttons on the remote control) to adjust the system volume. You may need to adjust your device volume, too.

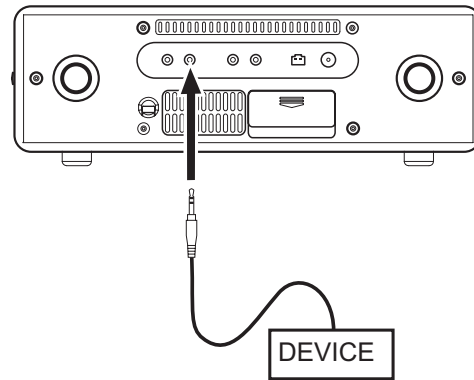


When using the PHONES jack of your mini player, you must adjust the volume of the mini player or you may hear no sound from your HD-1.

- Turning the volume of the mini player up too high may cause the sound from your HD-1 to be distorted. In this case, reduce the volume of the mini player until the distortion stops and then adjust the volume level of the HD-1 to a comfortable listening level.

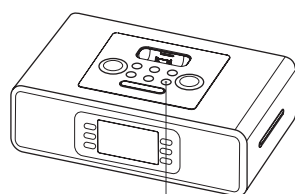
LINE Out Operation

You can connect the HD-1 to another line-level device such as an amplifier or recording device through the **LINE OUT** Jack located at the back of the unit.



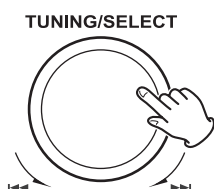
The volume setting on the HD-1 does not affect the line level. Adjust volume level using the volume control on the device you connect to.

Setting the Clock Time and Calendar



Clock ADJ

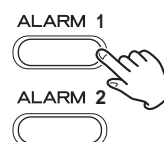
- 1 Press and hold the **Clock ADJ** Button located on the top of the unit until 12H or 24H appeared. Select your desired clock display either 12 hour or 24 hour by turning **TUNING / SELECT** Knob (or press **◀◀** or **▶▶** on the remote control). Then press the **Clock ADJ** Button again to confirm 12H or 24H mode setting.
- 2 The hour display at the center will blink. Turn the **TUNING / SELECT** Knob (or press **◀◀** or **▶▶** on the remote control) to set the current time, then press the **Clock ADJ** Button again to confirm clock setting. (**Note:** if the system is set to 12-hour mode, the AM or PM indicator will be lighted on.) The minute display will now blink. Follow the same procedure to set the minute.



- 3 The month, date and year display at the lower will blink successively. or turn **TUNING /SELECT** Knob (or press **◀◀** or **▶▶** on the remote control) until current month, date, year is displayed. Press the **Clock ADJ** Button to confirm month, date or year setting.

Setting the Alarm Time

- 1 The unit can set two Alarm Times.
- 2 Press and hold the **ALARM 1** or **ALARM 2** Button until the display blinks. Press the **FUNCTION/WAKE TO** Button to select mode of HD RADIO FM, HD RADIO AM, IPOD or BUZZER to wake to, then press **ALARM 1** or **ALARM 2** Button to confirm.



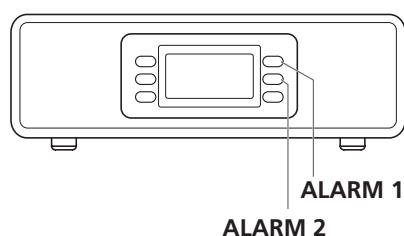
Alarm indicator ( or ) appears on the display

- 3 The Hour display will blink, turn **TUNING /SELECT** Knob (or press or Button on the remote control) to select, press **ALARM 1** or **ALARM 2** Button to confirm.
- 4 The Minute display will blink, turn **TUNING /SELECT** Knob (or press or Button on the remote control) to select, press **ALARM 1** or **ALARM 2** Button to confirm.
- 5 The Volume level display will blink, turn VOLUME DOWN or VOLUME UP Knob to select, press **ALARM 1** or **ALARM 2** Button to confirm.
- 6 The Alarm 1 or Alarm 2 icon will light up on display.
 - If the source is set to "iPod", but when iPod is not setting, the unit will turn on into **buzzer** mode.
 - When the source is set to "TUNER" and the unit turns on, it will tune in to the station you selected last time.

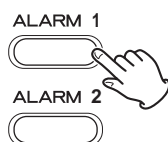
NOTE :

- Once you set the alarm time, the alarm will be automatically armed. The Alarm icon will appear to indicate the alarm is armed. Make sure to adjust volume level for comfortable wake up volume.

Using the Alarm



- 1** Set the alarm time per Setting Alarm time. To preview the alarm time, just press the **ALARM 1** button or **ALARM 2** button to turn on the Alarm function.
- 2** Press the **ALARM 1** button or **ALARM 2** button again to arm or disarm the alarm.



- 3** When the alarm is sounding, press the ***STANDBY/ON** button to turn the Alarm OFF. The alarm will come on again the next day at the same time.

- *: SLEEP
- *: iPod/iPhone connecting
- *: Press the **ALARM 1** button
- *: Press the **ALARM 2** button

- 4** To stop the alarm from coming on the following day, press the **ALARM 1** button or **ALARM 2** button to turn it OFF. The Alarm Icon will disappear to indicate the alarm is disarmed.

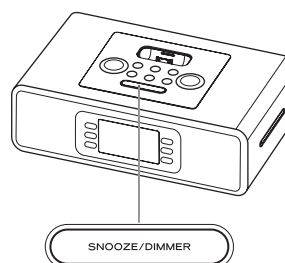
- If the alarm is not turned off after it sounds it will play for approximately **1** hour then turn off automatically. This cycle will repeat every 24 hours unless the controls are changed.

NOTE :

- When setting the unit to "Wake to iPod," Your iPod must be properly docked and turned off or the alarm will not sound.
- When you select "Wake To iPod," be sure your iPod has enough songs to play for 1 hour, otherwise set the iPod repeat mode to ON. If there is no iPod is present or there is no music on your iPod at alarm time, the HD-1 will automatically switch to buzzer alarm.
- Alarm function is still working at the Standby ON mode.
- Playback volume will gradually increase up to your set volume when the unit is turned on by Alarm.

Snooze/Dimmer Operation

DIMMER function



You can change the front panel's display brightness. Use the **DIMMER** button to change the brightness among **4** levels.

You can change display brightness by using **DIMMEN** button.

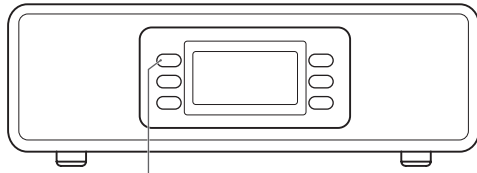
How to use the snooze function



After the ON time is reached, press the **SNOOZE** button and the unit will turn off for **6** minutes then turn on again.

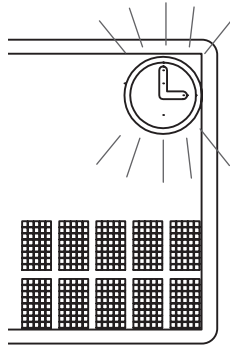
You can use this function repeatedly during 1 hour alarm cycle.

Sleep Operation



SLEEP

- 1 When the HD-1 is OFF or while listening to your iPod or the radio, press the **SLEEP** button to enter sleep mode.
- 2 You can adjust the sleep timer from 120, 90, 75, 60, 45, 30, 15 minutes by pressing the SLEEP button again.



- By the "SLEEP" mode, the "🕒" icon is blinking on the display.
- Pressing the **SLEEP** button to "00" will turn off the unit.
- When the display changes back to show the real time, pressing the **SLEEP** button once will show the sleep time remaining. Pressing it again will change sleep time to the next lowest increment.
- HD-1 has independent volume setting for sleep mode so you can adjust the sleeping volume without affecting the alarm volume. Turn the **VOLUME** knob (or press Volume+ and Volume- Button on the remote control) to adjust sleep volume. The sleep volume will remain at that level the next time you enter sleep mode until controls are changed.
- To stop SLEEP mode at any time, press the **STANDBY/ON** button.
- The unit will automatically turn off after the selected time. Sleep mode has a Gentle Sleep feature which gradually lowers the volume.

Specifications

TUNER Section

Frequency Range FM: 87.5 MHz to 107.9 MHz
(200 kHz step)
AM: 520 kHz to 1710 kHz
(10 kHz step)

GENERAL

Total Output Power 6 W (L+R)
Power Requirement AC 120 V, 60 Hz
Dimension (W x H x D) (375 x 172 x 244) mm
Weight (Net) 3.7 kg

Standard Accessories

Remote control (RC-1219) x 1
Battery for Remote control Unit (CR2032) x 1
Dock adapter x 4
(adapter "iPod classic (160G) + iPhone 2G/3G" premounted)
Video cable
Stereo mini plug cable
AM loop antenna
FM antenna
Owner's Manual
Warranty Card

Connectivity

30-pin male connector for iPod / iPhone
Ø3.5mm stereo headphone jack
Ø3.5mm aux. in jack
Ø3.5mm Video out jack
FM antenna jack (F-Type connector)
AM antenna connector (2-Pin type)

- Design and specifications are subject to change without notice.
- Weight and dimensions are approximate.
- Illustrations may differ slightly from production models.

Troubleshooting

If you have problems with your system, look through this chart and see if you can solve the problem yourself before calling your dealer or TEAC service center.

General

The unit does not turn on.

- ➔The AC plug may not be connected properly. Check the connection.
- ➔The wall outlet may not function. Try another outlet.

When playing music, the sound gets distorted.

- ➔The volume level on the connected device or the HD-1 is set too high. Decrease the volume until the distortion has disappeared.
- ➔The source sound is distorted. If the original sound source (MP3) on your iPod is poor quality, the distortion and noises are easily noticed with high-power speakers.

The remote control does not operate properly.

- ➔The installed battery is weak. Replace with a new battery.
- ➔It is not aimed to the HD-1 or too far away from it. Move within 20 feet of the unit and point the remote control toward the HD-1.

Remote functions like play/pause skip up, skip down does not work

- ➔Depending on the device these functions might be disabled due to differences in software.
- ➔Please refer to owner's manual of the device you are using.

iPod or iPhone Player

Your iPod or iPhone does not fit into the built-in universal dock.

- ➔The installed dock adapter is not the correct one. Check whether a correct dock adapter is installed.
- ➔There might be some obstructions on the dock. Check whether there are any obstructions on the connector and on the dock. If everything is secured, place your iPod back into the dock.

It does not recognize your iPod or Phone when docked.

- ➔Your iPod or iPhone may not be properly docked. Take your iPod or iPhone out of the dock, and remove any obstructions on the connector from the dock and on your iPod or iPhone. Place your iPod or iPhone back into the dock.
- ➔Your iPod or iPhone is frozen or locked up. Check whether your iPod or iPhone operates correctly before placing it back into the dock. Please refer to the owner's instruction manual of your iPod or iPhone.
- ➔The software of your iPod or iPhone is outdated. Upgrade the software on your iPod or iPhone. For the details on how to upgrade the software on your iPod or iPhone, please visit Apple's website: <http://www.apple.com>.

Your iPod or iPhone is not charged even though it is in the dock.

- ➔Your iPod or iPhone might not be properly docked. Take your iPod or iPhone out of the dock, and remove any obstructions on the connector from the dock and on your iPod or iPhone. Place your iPod or iPhone back into the dock.
- ➔Your iPod or iPhone is frozen or locked up. Check whether your iPod or iPhone operates correctly before placing it back into the dock. Please refer to the owner's instruction manual of your iPod or iPhone.
- ➔Your iPod or iPhone will not be charged in Radio mode to avoid major radio interference.

Tuner

AM band is too noisy.

- ➔The reception at the set location is poor. Rotate the AM loop antenna position for best reception.
- ➔Move the antenna away from the unit to avoid interference.

FM band is too noisy.

- ➔The reception at the set location is poor. Check that the FM antenna is properly connected to the jack in the rear of the unit.
- ➔Stretch the antenna to a "T" shape and move slightly closer to a window.

TEAC

iPod is a trademark of Apple Inc., registered in the U.S. and other countries. iPhone is a trademark of Apple Inc. iTunes is a trademark of Apple Inc., registered in the U.S. and other countries. All logos and brands are property of their respective owners. HD Radio™ Technology manufactured under license from iBiquity Digital Corp. U.S. and foreign patents. HD Radio™ and the HD Radio logos are proprietary trademarks of iBiquity Digital Corp. iPod or iPhone are not included in this package. Features and specifications are subject to change without prior notification.

SKTE -T0811002

TEAC CORPORATION	1-47, Ochiai, Tama-shi, Tokyo 206-8530, Japan Phone: (042) 356-9155
TEAC AMERICA, INC.	7733 Telegraph Road, Montebello, California 90640 Phone: (323) 726-0303
TEAC CANADA LTD.	5939 Wallace Street, Mississauga, Ontario L4Z 1Z8, Canada Phone: (905) 890-8008
TEAC MEXICO, S.A. De C.V	Río Churubusco 364, Colonia Del Carmen, Delegación Coyoacán, CP 04100, México DF, México Phone:(5255)5010-6000
TEAC UK LIMITED	Unit 19 & 20, The Courtyards, Hatters Lane, Watford, Hertfordshire, WD18 8TE, U.K. Phone: (0845) 130-2511
TEAC EUROPE GmbH	Bahnstrasse 12, 65205 Wiesbaden-Erbenheim, Germany Phone: 0611-71580

This appliance has a serial number located on the rear panel. Please record the model number and serial number and retain them for your records.

Model number _____ Serial number _____

NOV 2008

PREPARED IN CHINA