

# TASCAM

D01206220C

# CD-200iL

## CD Player / iPod Dock

### OWNER'S MANUAL

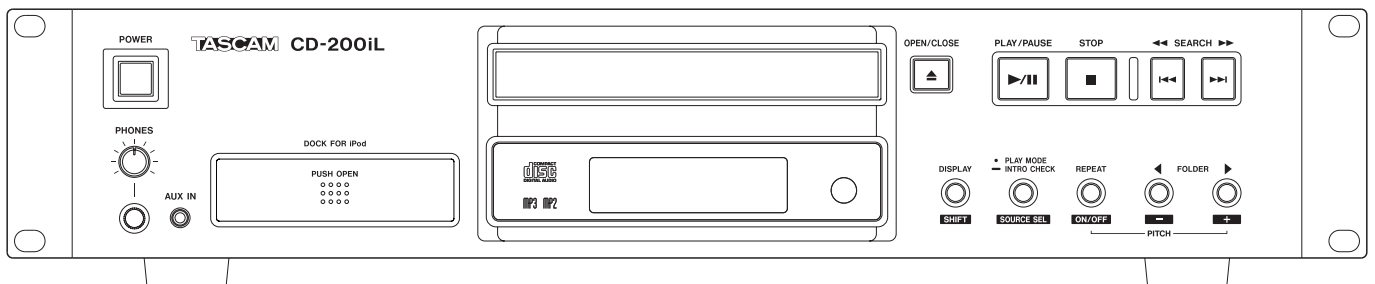
Made for



iPod



iPhone



# IMPORTANT SAFETY PRECAUTIONS



CAUTION: TO REDUCE THE RISK OF ELECTRIC SHOCK, DO NOT REMOVE COVER (OR BACK). NO USER-SERVICEABLE PARTS INSIDE. REFER SERVICING TO QUALIFIED SERVICE PERSONNEL.



The lightning flash with arrowhead symbol, within equilateral triangle, is intended to alert the user to the presence of uninsulated "dangerous voltage" within the product's enclosure that may be of sufficient magnitude to constitute a risk of electric shock to persons.



The exclamation point within an equilateral triangle is intended to alert the user to the presence of important operating and maintenance (servicing) instructions in the literature accompanying the appliance.

**WARNING: TO PREVENT FIRE OR SHOCK HAZARD, DO NOT EXPOSE THIS APPLIANCE TO RAIN OR MOISTURE.**

For U.S.A.

This equipment complies with Part 15 of FCC Rules. Operation is subject to the following two conditions:

- 1) This device may not cause interference and
- 2) This device must accept any interference, including interference that may cause undesired operation of the device.

#### INFORMATION TO THE USER

This equipment has been tested and found to comply with the limits for a Class A digital device, pursuant to Part 15 of the FCC Rules. These limits are designed to provide reasonable protection against harmful interference when the equipment is operated in a commercial environment. This equipment generates, uses, and can radiate radio frequency energy and, if not installed and used in accordance with the instruction manual, may cause harmful interference to radio communications.

Operation of this equipment in a residential area is likely to cause harmful interference in which case the user will be required to correct the interference at his own expense.

#### CAUTION

Changes or modifications to this equipment not expressly approved by TEAC CORPORATION for compliance could void the user's authority to operate this equipment.

IN USA/CANADA, USE ONLY ON 120 V SUPPLY.

This appliance has a serial number located on the rear panel. Please record the model number and serial number and retain them for your records.

Model number \_\_\_\_\_

Serial number \_\_\_\_\_

#### For Canada

THIS CLASS A DIGITAL APPARATUS COMPLIES WITH CANADIAN ICES-003.CET

APPAREIL NUMERIQUE DE LA CLASSE A EST CONFORME A LA NORME NMB-003 DU CANADA.

#### CE Marking Information

- a) Applicable electromagnetic environment: E4
- b) The average half-cycle r.m.s. inrush current
  1. On initial switch-on : 0.48 Arms
  2. After a supply interruption of 5s : 0.29 Arms

#### For the customers in Europe

##### WARNING

This is a Class A product. In a domestic environment, this product may cause radio interference in which case the user may be required to take adequate measures.

#### Pour les utilisateurs en Europe

##### AVERTISSEMENT

Il s'agit d'un produit de Classe A. Dans un environnement domestique, cet appareil peut provoquer des interférences radio, dans ce cas l'utilisateur peut être amené à prendre des mesures appropriées.

#### Für Kunden in Europa

##### Warnung

Dies ist eine Einrichtung, welche die Funk-Entstörung nach Klasse A besitzt. Diese Einrichtung kann im Wohnbereich Funkstörungen verursachen; in diesem Fall kann vom Betreiber verlangt werden, angemessene Maßnahmen durchzuführen und dafür aufzukommen.

#### DECLARATION OF CONFORMITY

We, TEAC EUROPE GmbH, Bahnstrasse 12, 65205 Wiesbaden-Erbenheim, Germany declare in own responsibility, the TEAC product described in this manual is in compliance with the corresponding technical standards.



# IMPORTANT SAFETY INSTRUCTIONS

- 1 Read these instructions.
- 2 Keep these instructions.
- 3 Heed all warnings.
- 4 Follow all instructions.
- 5 Do not use this apparatus near water.
- 6 Clean only with dry cloth.
- 7 Do not block any ventilation openings. Install in accordance with the manufacturer's instructions.
- 8 Do not install near any heat sources such as radiators, heat registers, stoves, or other apparatus (including amplifiers) that produce heat.
- 9 Do not defeat the safety purpose of the polarized or grounding-type plug. A polarized plug has two blades with one wider than the other. A grounding type plug has two blades and a third grounding prong. The wide blade or the third prong are provided for your safety. If the provided plug does not fit into your outlet, consult an electrician for replacement of the obsolete outlet.
- 10 Protect the power cord from being walked on or pinched particularly at plugs, convenience receptacles, and the point where they exit from the apparatus.
- 11 Only use attachments/accessories specified by the manufacturer.
- 12 Use only with the cart, stand, tripod, bracket, or table specified by the manufacturer, or sold with the apparatus. When a cart is used, use caution when moving the cart/apparatus combination to avoid injury from tip-over.



- 13 Unplug this apparatus during lightning storms or when unused for long periods of time.
- 14 Refer all servicing to qualified service personnel. Servicing is required when the apparatus has been damaged in any way, such as power-supply cord or plug is damaged, liquid has been spilled or objects have fallen into the apparatus, the apparatus has been exposed to rain or moisture, does not operate normally, or has been dropped.

- The apparatus draws nominal non-operating power from the AC outlet with its POWER or STANDBY/ON switch not in the ON position.
- The mains plug is used as the disconnect device, the disconnect device shall remain readily operable.
- Caution should be taken when using earphones or headphones with the product because excessive sound pressure (volume) from earphones or headphones can cause hearing loss.
- If you are experiencing problems with this product, contact TEAC for a service referral. Do not use the product until it has been repaired.

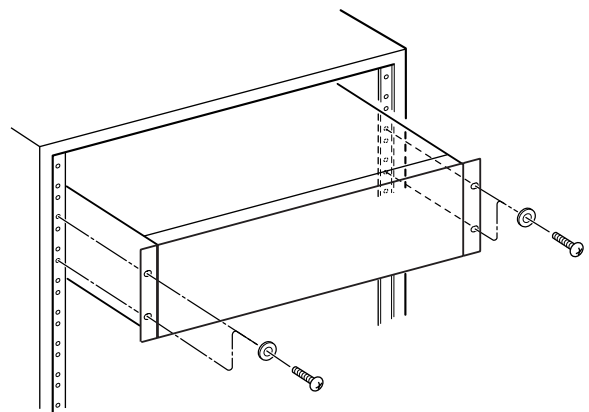
## CAUTION

- Do not expose this apparatus to drips or splashes.
- Do not place any objects filled with liquids, such as vases, on the apparatus.
- Do not install this apparatus in a confined space such as a book case or similar unit.
- The apparatus should be located close enough to the AC outlet so that you can easily grasp the power cord plug at any time.
- If the product uses batteries (including a battery pack or installed batteries), they should not be exposed to sunshine, fire or excessive heat.
- CAUTION for products that use replaceable lithium batteries: there is danger of explosion if a battery is replaced with an incorrect type of battery. Replace only with the same or equivalent type.

## ■ RACK-MOUNTING THE UNIT

Use the supplied rack-mounting kit to mount the unit in a standard 19-inch rack, as shown below.

Remove the feet of the unit before mounting.



## CAUTION

- Leave 1U of space above the unit for ventilation.
- Allow at least 10 cm (4 in) at the rear of the unit for ventilation.

# Safety Information

## ■ CAUTIONS ABOUT BATTERIES

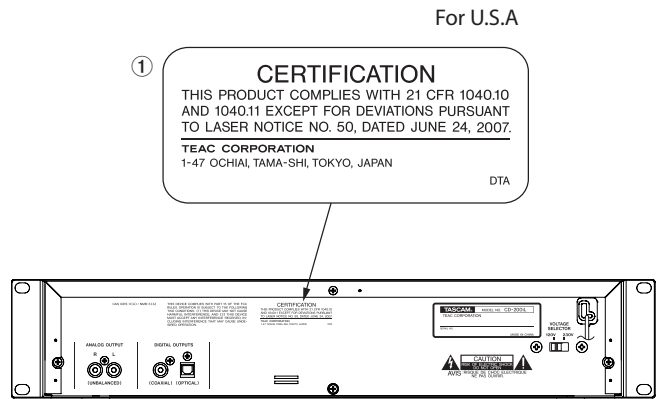
This product uses batteries. Misuse of batteries could cause a leak, rupture or other trouble. Always abide by the following precautions when using batteries.

- Never recharge non-rechargeable batteries. The batteries could rupture or leak, causing fire or injury.
- When installing batteries, pay attention to the polarity indications (plus/minus (+/-) orientation), and install them correctly in the battery compartment as indicated. Putting them in backward could make the batteries rupture or leak, causing fire, injury or stains around them.
- When you store or dispose batteries, isolate their terminals with insulation tape or something like that to prevent them from contacting other batteries or metallic objects.
- When throwing used batteries away, follow the disposal instructions indicated on the batteries and the local disposal laws.
- Do not use batteries other than those specified. Do not mix and use new and old batteries or different types of batteries together. The batteries could rupture or leak, causing fire, injury or stains around them.
- Do not carry or store batteries together with small metal objects. The batteries could short, causing leak, rupture or other trouble.
- Do not heat or disassemble batteries. Do not put them in fire or water. Batteries could rupture or leak, causing fire, injury or stains around them.
- If the battery fluid leaks, wipe away any fluid on the battery case before inserting new batteries. If the battery fluid gets in an eye, it could cause loss of eyesight. If fluid does enter an eye, wash it out thoroughly with clean water without rubbing the eye and then consult a doctor immediately. If the fluid gets on a person's body or clothing, it could cause skin injuries or burns. If this should happen, wash it off with clean water and then consult a doctor immediately.
- The unit power should be off when you install and replace batteries.
- Remove the batteries if you do not plan to use the unit for a long time. Batteries could rupture or leak, causing fire, injury or stains around them. If the battery fluid leaks, wipe away any fluid on the battery compartment before inserting new batteries.
- Do not disassemble a battery. The acid inside the battery could harm skin or clothing.

## ■ CAUTIONS ABOUT LASER RADIATION

This product has been designed and manufactured according to FDA regulations "title 21, CFR, chapter 1, subchapter J, based on the Radiation Control for Health and Safety Act of 1968," and is classified as a class 1 laser product. There is no hazardous invisible laser radiation during operation because invisible laser radiation emitted inside of this product is completely confined in the protective housings.

The label required in this regulation is shown at ①.



### Cautions:

- DO NOT REMOVE THE PROTECTIVE HOUSING USING A SCREWDRIVER.
- USE OF CONTROLS OR ADJUSTMENTS OR PERFORMANCE OF PROCEDURES OTHER THAN THOSE SPECIFIED HEREIN MAY RESULT IN HAZARDOUS RADIATION EXPOSURE.
- IF THIS PRODUCT DEVELOPS TROUBLE, CONTACT YOUR NEAREST QUALIFIED SERVICE PERSONNEL, AND DO NOT USE THE PRODUCT IN ITS DAMAGED STATE.

### Optical pickup

Type:	EP-C101
Manufacturer:	Ever Bright Technology and Science Electronical Co.,LTD
Laser output:	Less than 0.3 mW
Wavelength:	790±25nm
Standard:	IEC60825-1: 2007

## ■ For European Customers

### Disposal of electrical and electronic equipment

- (a) All electrical and electronic equipment should be disposed of separately from the municipal waste stream via designated collection facilities appointed by the government or the local authorities.
- (b) By disposing of the electrical and electronic equipment correctly, you will help save valuable resources and prevent any potential negative effects on human health and the environment.
- (c) Improper disposal of waste equipment can have serious effects on the environment and human health as a result of the presence of hazardous substances in electrical and electronic equipment.
- (d) The crossed out wheeled dust bin symbol indicates that electrical and electronic equipment must be collected and disposed of separately from household waste.



- (e) The return and collection systems are available to the end users. For more detailed information about disposal of old electrical and electronic equipment, please contact your city office, waste disposal service or the shop where you purchased the equipment.

### Disposal of batteries and/or accumulators

- (a) Waste batteries and/or accumulators should be disposed of separately from the municipal waste stream via designated collection facilities appointed by the government or the local authorities.
- (b) By disposing of waste batteries and/or accumulators correctly, you will help save valuable resources and prevent any potential negative effects on human health and the environment.
- (c) Improper disposal of waste batteries and/or accumulators can have serious effects on the environment and human health as a result of the presence of hazardous substances in batteries and/or accumulators.
- (d) The crossed out wheeled dust bin symbol indicates that batteries and/or accumulators must be collected and disposed of separately from household waste. If the battery or accumulator contains more than the specified values of lead (Pb), mercury (Hg), and/or cadmium (Cd) defined in the Battery Directive (2006/66/EC), then the chemical symbols for lead (Pb), mercury (Hg) and/or cadmium (Cd) will be indicated beneath the crossed out wheeled dust bin symbol.



Pb, Hg, Cd

- (e) The return and collection systems are available to the end users. For more detailed information about disposal of waste batteries and/or accumulators, please contact your city office, waste disposal service or the shop where you purchased them.

## ■ For China



“仅适用于海拔2000m以下地区安全使用”



“仅适用于非热带气候条件下安全使用”

产品有毒有害物质或元素的名称及含量

机种：CD-200iL		有毒有害物质或元素					
品名	铅 (Pb)	汞 (Hg)	镉 (Cd)	六价铬 (Cr6+)	多溴联苯 (PBB)	多溴二苯醚 (PBDE)	
1 CHASSIS部份	○	○	○	○	○	○	
2 FRONT PANEL部份	○	○	○	○	○	○	
3 螺丝部份	○	○	○	○	○	○	
4 线材部份	○	○	○	○	○	○	
5 PCB Assy部份	×	○	○	○	○	○	
6 CD MECH部份	○	○	○	○	○	○	
7 电源部份	○	○	○	○	○	○	
8 附属品部份	×	○	○	○	○	○	
9 LABEL部份	○	○	○	○	○	○	
10 包装部份	○	○	○	○	○	○	

○：表示该有毒有害物质在该部件所有均质材料中的含量均在 GB/T26572 标准规定的限量要求以下。

×：表示该有毒有害物质至少在该部件的某一均质材料中的含量超出 GB/T26572 标准规定的限量要求。

(针对现在代替技术困难的电子部品及合金中的铅)

# Contents

<b>1 – Introduction .....</b>	<b>7</b>	Repeat playback.....	24
Features .....	7	Time and text information display .....	25
Items included with this product.....	7	Pitch control playback .....	26
Conventions used in this manual.....	7	Intro check function .....	26
Trademarks.....	7	<b>5 – iPod/iPhone Playback .....</b>	<b>27</b>
Precautions for placement .....	8	iPod dock .....	27
Power supply .....	8	iPod/iPhone control.....	27
Beware of condensation.....	8	Preparing iPod/iPhone playback.....	27
Cleaning the unit.....	8	<b>6 – Message Lists .....</b>	<b>28</b>
User registration.....	8	Operation messages.....	28
Using the TEAC Global Site.....	8	Warning messages .....	28
About discs.....	8	Error messages.....	28
Handling of compact discs .....	8	<b>7 – Troubleshooting .....</b>	<b>29</b>
About TASCAM customer support service .....	8	<b>8 – Specifications .....</b>	<b>30</b>
<b>2 – Names and functions of parts .....</b>	<b>9</b>	Ratings .....	30
Front panel.....	9	Input and output ratings.....	30
iPod dock .....	10	Analog audio input.....	30
Rear panel.....	11	Analog audio output ratings.....	30
Display.....	11	Digital audio output ratings.....	30
Remote control unit (TASCAM RC-CD200iL) .....	12	Audio performance.....	30
<b>3 – Preparations .....</b>	<b>13</b>	Backup memory .....	30
Making connections .....	13	General .....	30
Connecting an iPod or iPhone .....	14	Dimensions .....	31
Opening the iPod dock.....	14		
Closing the iPod dock.....	15		
Removing a dock adapter.....	16		
Removing the iPod or iPhone.....	16		
Connecting external audio players .....	16		
Preparing the remote control.....	17		
Inserting batteries.....	17		
Replacing the batteries.....	17		
Cautions about the use of batteries.....	17		
Cautions about using the remote control.....	17		
Loading a CD .....	17		
Selecting the output source (current source).....	18		
<b>4 – CD playback.....</b>	<b>19</b>		
Playable discs and files .....	19		
Folders and tracks on data CDs .....	19		
Playback modes.....	20		
Selecting the playback mode .....	20		
Playback.....	20		
Selecting a track.....	21		
Skipping to the next or previous track.....	21		
Selecting by track number .....	21		
Search forward and backward .....	21		
Folder playback (data CDs).....	21		
Setting the playback folder .....	21		
Programmed playback.....	22		
Setting the program .....	22		
Checking the program.....	23		
Replacing a program track .....	24		
Adding more program tracks .....	24		
Clearing the program .....	24		

# 1 – Introduction

Thank you for your purchase of the TASCAM CD-200iL CD Player / iPod Dock.

Before connecting and using the unit, please take time to read this manual thoroughly to ensure you understand how to properly set up and connect the unit, as well as the operation of its many useful and convenient functions. After you have finished reading this manual, please keep it in a safe place for future reference.

You can also download the Owner's Manual from the TASCAM web sites (<https://tascam.com/us/>).

## Features

- In addition to audio CDs (CD-DA), this unit can also play data CDs (CD-ROM/R/RW) that contain files in WAV, MP3 and MP2 formats
- 2U rack mount size
- Analog (RCA) and digital (coaxial and optical) outputs
- Monitoring is possible with headphones
- TASCAM RC-CD200iL wireless remote control with number (0–9) buttons included
- Displays CD text and ID3 tag information (including artist, album and track names)
- Three playback modes (continuous, shuffle and program)
- Repeat (single and all) playback functions
- CD playback pitch control function ( $\pm 14\%$ )
- Intro check function
- Data CD folder playback function
- Time display possible (track elapsed time, track remaining time or total time for audio CDs or total elapsed time for data CDs)
- CD drive has a 10-second shockproof memory that guards against skipping
- Included dock for iPod/iPhone with Lightning and 30-pin dock connector enables iPod/iPhone control and audio output
- Stereo mini jack for audio line input enables audio input from other portable audio devices

Any data, including, but not limited to information, described herein are intended only as illustrations of such data and/or information and not as the specifications for such data and/or information. TEAC Corporation disclaims any warranty that any use of such data and/or information shall be free from infringement of any third party's intellectual property rights or other proprietary rights, and further, assumes no liability of whatsoever nature in the event of any such infringement, or arising from or connected with or related to the use of such data and/or information.

This product is designed to help you record and reproduce sound works to which you own the copyright, or where you have obtained permission from the copyright holder or the rightful licensor. Unless you own the copyright, or have obtained the appropriate permission from the copyright holder or the rightful licensor, your unauthorized recording, reproduction or distribution thereof may result in severe criminal penalties under copyright laws and international copyright treaties. If you are uncertain about your rights, contact your legal advisor. Under no circumstances will TEAC Corporation be responsible for the consequences of any illegal copying performed using the recorder.

## Items included with this product

This product includes the following items.

Take care when opening the package to avoid damaging the items.

Keep the packing materials for transportation in the future.

Please contact the store where you purchased this unit if any of these items are missing or have been damaged during transportation.

- Main unit ..... 1
- Wireless remote control unit (RC-CD200iL) ..... 1
- AA batteries ..... 2
- A rack-mounting screw kit ..... 1
- Warranty card ..... 1
- Owner's Manual (this manual) ..... 1

## Conventions used in this manual

In this manual, we use the following conventions:

- Buttons, connectors and other parts of the unit and external devices are indicated like this: **DISPLAY** button
- Text displayed on the display of the unit and external devices appears like this: REPEAT.
- CD-DA format discs are sometimes called "audio CDs."
- CDs that contain audio files in MP2, MP3 or WAV formats are called "data CDs."
- MP3, MP2 and WAV files that can be played back by this unit are collectively called "audio files".
- Audio CDs and data CDs are sometimes generically called "CDs".
- The currently selected folder is called the "current folder".
- Additional information is provided as necessary as tips, notes and cautions.

### TIP

*These are tips about how to use the unit.*

### NOTE

*These provide additional explanations and describe special cases.*

### CAUTION

*Failure to follow these instructions could result in injury, damage to equipment or lost recording data, for example.*

## Trademarks

- TASCAM is a trademark of TEAC CORPORATION, registered in the U.S. and other countries.
- MPEG Layer-3 audio coding technology licensed from Fraunhofer IIS and Thomson.
- "Made for iPod" and "Made for iPhone" mean that an electronic accessory has been designed to connect specifically to iPod or iPhone, respectively, and has been certified by the developer to meet Apple performance standards. Apple is not responsible for the operation of this device or its compliance with safety and regulatory standards. Please note that the use of this accessory with iPod or iPhone may affect wireless performance.
- iPhone and iPod are trademarks of Apple Inc., registered in the U.S. and other countries.
- Other company names, product names and logos in this document are the trademarks or registered trademarks of their respective owners.

# 1 – Introduction

---

## Precautions for placement

---

- The operating temperature should be between 5°C and 35°C (41°F and 95°F).
- Do not place the unit in the following types of locations. Doing so could degrade the sound quality or cause malfunction.
  - Places with frequent vibrations
  - Near windows or in other places with direct exposure to sunlight
  - Near heating equipment and other extremely hot places
  - Extremely cold places
  - Very humid places and places with poor ventilation
  - Very dusty places
- Place the unit so that is level.
- In order to assure good heat dispersion, do not place anything on top of the unit.
- Avoid installing this unit on top of any heat-generating electrical device such as a power amplifier.

---

## Power supply

---

Connect the unit to the standard power outlet. Hold the plug when connecting and disconnecting the power cord.

---

## Beware of condensation

---

If the unit is moved from a cold to a warm place, or used immediately after a cold room has been heated or otherwise exposed to a sudden temperature change, condensation could occur. Should this happen, leave the unit for one or two hours before turning the unit on.

---

## Cleaning the unit

---

To clean the unit, wipe it gently with a soft dry cloth. Do not wipe with chemical cleaning cloths, paint thinner, ethyl alcohol or other chemical agents to clean the unit as they could damage the surface.

Once every five years, please contact the retailer where you purchased the unit or a TASCAM service center for internal cleaning. If the unit is not cleaned for a long time and dust is allowed to accumulate inside it, fire or malfunction could result. Cleaning is more effective when conducted before the humid season. Please check with us about the cost of internal cleaning.

---

## User registration

---

Customers in the USA, please visit the TASCAM website (<https://tascam.com/us/>) to register as a user online.

---

## Using the TEAC Global Site

---

You can download updates for this unit from the TEAC Global Site:<http://teac-global.com/>In the TASCAM Downloads section, select the desired language to open the Downloads website page for that language.

---

## About discs

---

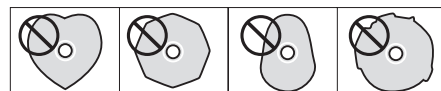
In addition to audio CDs (CD-DA), the CD-200iL can play CD-R and CD-RW discs on which audio CD, MP3, MP2 or WAV format files are recorded. The CD player can also play 3-inch CDs.

---

## Handling of compact discs

---

- Always place the compact discs in the trays with their label facing upward.
- To remove a disc from its case, press down on the center of the disc holder, then lift the disc out, holding it carefully by the edges.
- Do not touch the signal side (the unlabeled side). Fingerprints, oils and other substances can cause errors during playing.
- To clean the signal side of a disc, wipe gently with a soft dry cloth from the center towards the outside edge. Dirt on discs can lower the sound quality, so clean them and always store them in a clean state.
- Do not use any record spray, anti-static solutions, paint thinner or other chemical agents to clean CDs. This could damage the delicate playing surface and cause CDs to become unplayable.
- Do not attach labels or anything else to discs. Do not use discs that have residue from, for example, tape or stickers that have been removed from the disc surface. Do not use discs that have exposed glue around the edges of stickers, for example. Loading such discs in the unit could cause them to become stuck or cause the unit to malfunction.
- Never use commercially-available CD stabilizers. Their use could make playback impossible or cause the unit to malfunction.
- Do not use cracked discs.
- Only use circular compact discs. Do not use non-circular promotional, etc. discs.



- Some record companies sell copy-protected discs or copy-controlled discs that may not play back correctly in this unit. Since such discs may not conform with the CD standard, do not use them in this unit.
- If you experience problems with such non-standard discs, you should contact the producers of the disc.

---

## About TASCAM customer support service

---

TASCAM products are supported and warranted only in their country/region of purchase.

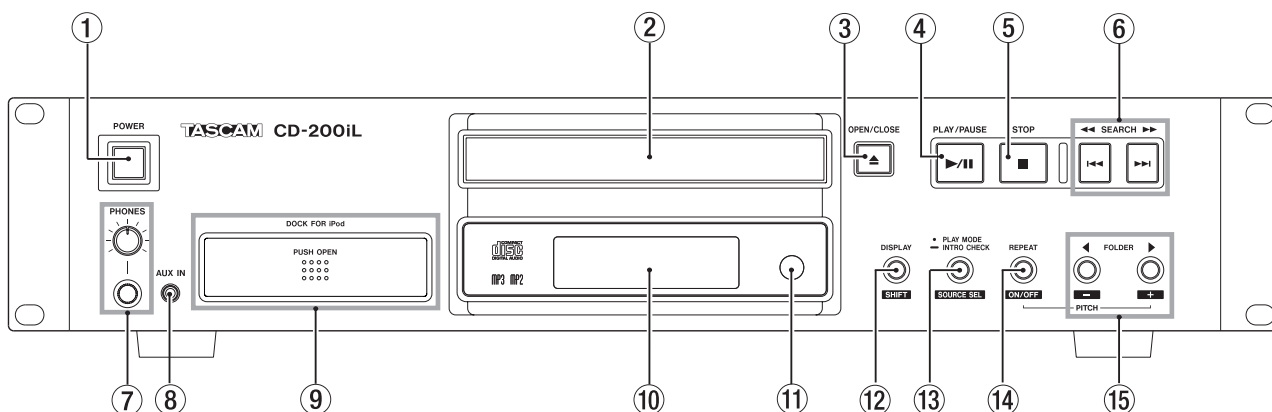
To receive support after purchase, on the TASCAM Distributors list page of the TEAC Global Site (<http://teac-global.com/>), search for the local company or representative for the region where you purchased the product and contact that organization.

When making inquiries, the address (URL) of the shop or web shop where it was purchased and the purchase date are required. Moreover, the warranty card and proof of purchase might also be necessary.



# 2 – Names and functions of parts

## Front panel



### ① POWER switch

Press this switch to turn the unit on or off.

#### CAUTION

*Before turning the power on, minimize the volume of the connected device. Failure to do so could cause loud noises that might result in harm to your hearing or other trouble.*

### ② Disc tray

Press the **OPEN/CLOSE** button to open the disc tray and load/remove the disc.

Press the **OPEN/CLOSE** button to close the disc tray.

### ③ OPEN/CLOSE button

Use to open and close the disc tray.

### ④ PLAY/PAUSE button

Press during playback to pause. When playback is stopped or paused, press to start playback.

### ⑤ STOP button

When the current source is  $\text{CD}$ , press this button to stop CD playback.

When in program setting mode, press this button when a track is selected to cancel the selection and return to the state where you can select a track again. (See "Setting the program" on page 22.)

Press this button when you can add a track to a new program step to clear the entire program. (See "Clearing the program" on page 24.)

### ⑥ SEARCH $\lll / \ggg$ [ $\lll / \ggg$ ] buttons

Press briefly to select tracks (skip). Press and hold to search a track.

### ⑦ PHONES jack and knob

Use this standard stereo jack to connect stereo headphones. Use a plug adapter when connecting headphones with mini-plugs.

Use the **PHONES** knob to adjust the headphone output level.

#### CAUTION

*Use the PHONES knob to minimize the volume before connecting headphones. Failure to do so could cause a sudden burst of loud noise, which might result in hearing damage, for example.*

### ⑧ AUX IN jack

Use this stereo mini jack for line level audio input.

Connect a portable digital audio player or other external audio device to it.

#### CAUTION

*Before connecting an external device to the AUX IN jack, minimize the volume of that device. Failure to do so could result in sudden loud noises that could, for example, harm your hearing.*

### ⑨ DOCK FOR iPod

This iPod dock is compatible with Lightning connectors and 30-pin connectors. (See "Connecting an iPod or iPhone" on page 14.)

#### NOTE

*When connecting an iPod or iPhone with a 30-pin connector, be sure to attach a dock adapter suitable for your iPod or iPhone to the 30-pin dock connector. Dock adapters are not included with this product. Use one that came with your iPod or iPhone or purchase an Apple Universal Dock Adapter made by Apple Inc.*

### ⑩ Display

Displays various information.

### ⑪ Remote Sensor

When operating the remote control unit (RC-CD200iL), point it towards here.

### ⑫ DISPLAY [SHIFT] button

When the current source is  $\text{CD}$ , press this button to change the time or text information shown on the display. (See "Time and text information display" on page 25.)

Press this button at the same time as another button to use that button's shift function, which is shown as white text with a dark background beneath the button.

## 2 – Names and functions of parts

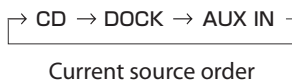
### 13 PLAY MODE/INTRO CHECK [SOURCE SEL] button

When the current source is **-CD-**, press this button to change the playback mode. The three playback modes are continuous, shuffle and program. (See “Playback modes” on page 20.)

During playback or when stopped, press and hold this button to conduct intro check playback. During intro check playback, press and hold this button again to return to the ordinary playback mode. (See “Intro check function” on page 26.)

When the current source is **-DOCK-**, press this button to change the iPod/iPhone shuffle playback mode. (See “iPod/iPhone control” on page 27.)

While pressing and holding the **DISPLAY [SHIFT]** button, press this button to change the current source in the following order. (See “Selecting the output source (current source)” on page 18.)



#### NOTE

**-DOCK-** and **-AUX-** cannot be selected if no corresponding device is connected.

### 14 REPEAT [PITCH ON/OFF] button

When the current source is **-CD-**, press this button to turn the repeat playback function on/off and select the repeat playback mode. (See “Repeat playback” on page 24.)

While pressing and holding the **DISPLAY [SHIFT]** button, press this button to turn the pitch control function on/off. (See “Pitch control playback” on page 26.)

When the current source is **-DOCK-**, press this button to change the repeat playback mode. (See “iPod/iPhone control” on page 27.)

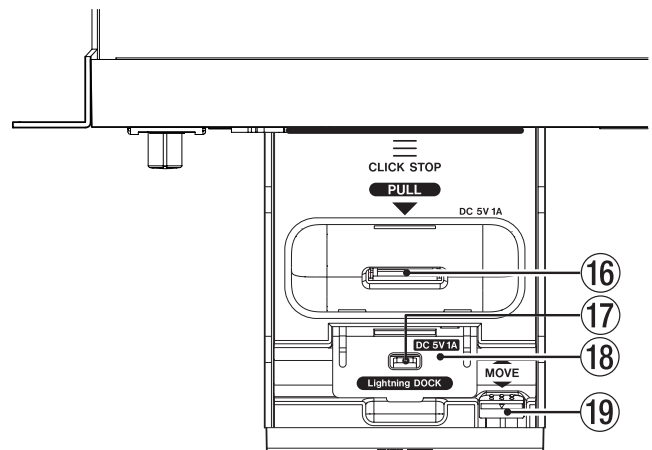
### 15 FOLDER ◀/▶ [PITCH -/+ ] buttons

When the current source is **-CD-** and a data CD is loaded, use these buttons to change the folder that will be played back. (See “Folder playback (data CDs)” on page 21.)

While pressing and holding the **DISPLAY [SHIFT]** button, use these buttons to set the CD pitch control value. (See “Pitch control playback” on page 26.)

When the current source is **-DOCK-**, use these buttons to skip among the albums on the iPod or iPhone (select albums). (See “iPod/iPhone control” on page 27.)

## iPod dock



### 16 30-pin dock connector

Use this connector to connect an iPod or iPhone that uses a 30-pin dock connector.

#### NOTE

*When connecting an iPod or iPhone with a 30-pin connector, be sure to attach a dock adapter suitable for your iPod or iPhone to the 30-pin dock connector. Dock adapters are not included with this product. Use one that came with your iPod or iPhone or purchase an Apple Universal Dock Adapter made by Apple Inc.*

### 17 Lightning connector

Use this connector to connect an iPod or iPhone that uses a Lightning connector.

### 18 Backstop

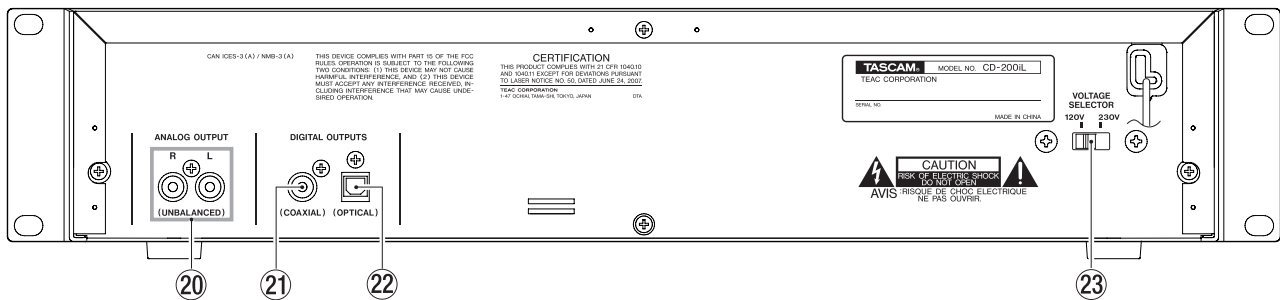
Raise this backstop before connecting an iPod or iPhone that uses a Lightning connector.

### 19 Unlocking lever

Use this lever to unlock the iPod dock in order to store it. To store the iPod dock, pull this lever while pressing the dock toward the front of the unit.

## 2 – Names and functions of parts

### Rear panel



#### 20 ANALOG OUTPUT (UNBALANCED) jacks

These are analog outputs for CD/iPod/iPhone playback signals and **AUX IN** jack input signals (standard output: -10 dBV).

#### 21 DIGITAL OUTPUTS (COAXIAL) jack

This is an S/PDIF digital output for the CD/iPod/iPhone playback signal.

#### 22 DIGITAL OUTPUTS (OPTICAL) jack

This is an S/PDIF digital output for the CD/iPod/iPhone playback signal.

#### NOTE

- *Digital output is not possible from iPod or iPhone models that do not support digital output.*
- *During data CD playback, the sampling frequency of this unit's digital output is converted to 44.1 kHz before output regardless of the sampling frequency of the playback file.*

- *Audio input through the **AUX IN** jack can only be output as analog audio. It cannot be output as digital audio.*
- *During CD playback, digital output is possible when the pitch control function is on, but the sampling frequency will be changed in proportion to the pitch control value. For this reason, when the pitch control function is on, some devices might not be able to properly receive audio from the digital outputs of this unit.*

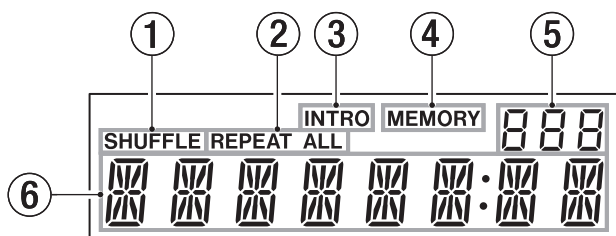
#### 23 VOLTAGE SELECTOR

Switches the voltage to either 230 V or 120 V.

#### NOTE

- *The voltage selector is only available on units for specific markets.*
- *In North America, use only on 120V supply.*

### Display



#### 1 Shuffle playback mode indicator

If the current source is -CD-, **SHUFFLE** appears when the playback mode is changed to shuffle.  
If the current source is -DOCK-, **SHUFFLE** appears when the shuffle playback mode is active. **SHUFFLE** blinks in album shuffle playback mode.

#### 2 Repeat playback mode indicator

**REPEAT** appears when single repeat and **REPEAT ALL** appears when set to repeat all.

#### 3 Intro check function indicator

**INTRO** appears when the intro check function is on. (See "Intro check function" on page 26.)

#### 4 Programmed playback mode indicator

**MEMORY** appears when in programmed playback mode.  
This indicator blinks when the program is being set.

#### 5 Folder playback status/number

When an audio CD is in the unit, **cd** appears here.

When a data CD is in the unit, **ALL** appears when the folder playback function is off and the folder number appears when the folder playback function is on. (See "Folder playback (data CDs)" on page 21.)

#### 6 Main display area

The track number and time or text information is shown.

The status of the unit (**OPEN**, **CLOSE**, **TOC\* READ**, etc.) and messages (**NO DISC**, etc.) are also shown. Items with more than eight characters are scrolled when shown.

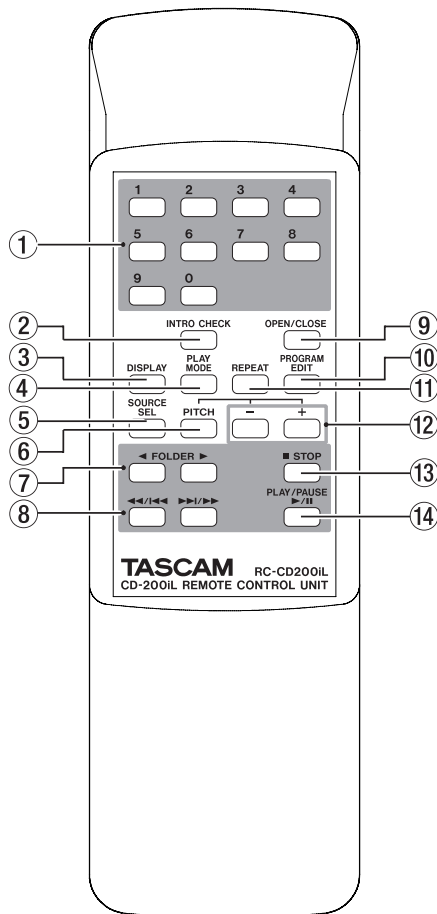
\* **TOC** means "Table Of Contents," which is track information written on the disc

#### CAUTION

*Depending on the model of the connected iPod or iPhone, the **SHUFFLE** and **REPEAT** indicators shown on this unit's display might not match the playback mode of the iPod or iPhone. Check the iPod or iPhone itself to confirm its current playback and repeat modes.*

## 2 – Names and functions of parts

### Remote control unit (TASCAM RC-CD200iL)



#### ① Number (0-9) buttons

Use the number (0-9) buttons to select tracks by their track numbers. (See "Selecting by track number" on page 21.)

Track numbers can have a maximum of two digits for audio CDs and a maximum of three digits for data CDs.

#### ② INTRO CHECK button

When playing back or paused and the current source is **-CD-**, press and hold this button to start intro check playback. During intro check playback, press this button again to return to ordinary playback mode. (See "Intro check function" on page 26.)

#### ③ DISPLAY button

When the current source is **-CD-**, press to change the type of time and text information shown on the display. (See "Time and text information display" on page 25.)

#### ④ PLAY MODE button

When the current source is **-CD-**, press to change the playback mode. The three playback modes are continuous, shuffle and programmed. (See "Playback modes" on page 20.)

When the current source is **-DOCK-**, press to change the iPod/iPhone shuffle mode. (See "iPod/iPhone control" on page 27.)

#### ⑤ SOURCE SELECT button

Press to cycle through the current sources in the following order. (See "Selecting the output source (current source)" on page 18.)

→ CD → DOCK → AUX IN

Current source selection order

#### NOTE

**-DOCK-** and **-AUX-** cannot be selected when no corresponding device is connected.

#### ⑥ PITCH button

Press to turn the CD playback pitch control function on and off. (See "Pitch control playback" on page 26.)

#### ⑦ FOLDER ◀/▶ buttons

When the current source is **-CD-** and a data CD is loaded, use these buttons to change the folder that will be played back. (See "Folder playback (data CDs)" on page 21.)

When the current source is **-DOCK-**, use these to select (skip between) albums. (See "iPod/iPhone control" on page 27.)

#### ⑧ ◀◀/▶▶ and ▶▶/▶▶▶ buttons

Use these buttons to select (skip between) tracks. Press and hold to search backward/forward.

#### ⑨ OPEN/CLOSE button

Press to open and close the disc tray.

#### ⑩ PROGRAM EDIT button

When the current source is **-CD-**, use this to make, confirm and edit program settings. (See "Programmed playback" on page 22.)

#### ⑪ REPEAT button

When the current source is **-CD-**, press this button to turn the repeat playback function on and off and to select the repeat playback mode. (See "Repeat playback" on page 24.)

When the current source is **-DOCK-**, press this button to change the repeat playback mode. (See "iPod/iPhone control" on page 27.)

#### ⑫ -/+ buttons

Use these to set the pitch control value used during CD playback. (See "Pitch control playback" on page 26.)

#### ⑬ STOP button

When the current source is **-CD-**, press this button to stop CD playback.

In program setting mode, press this button when a track is selected to cancel the selection, enabling the selection of another track. (See "Setting the program" on page 22.)

When a track can be added to a new program step, press this button to clear the entire program. (See "Clearing the program" on page 24.)

#### ⑭ PLAY/PAUSE button

When playback is stopped or paused, press to start playback. Press during playback to pause.

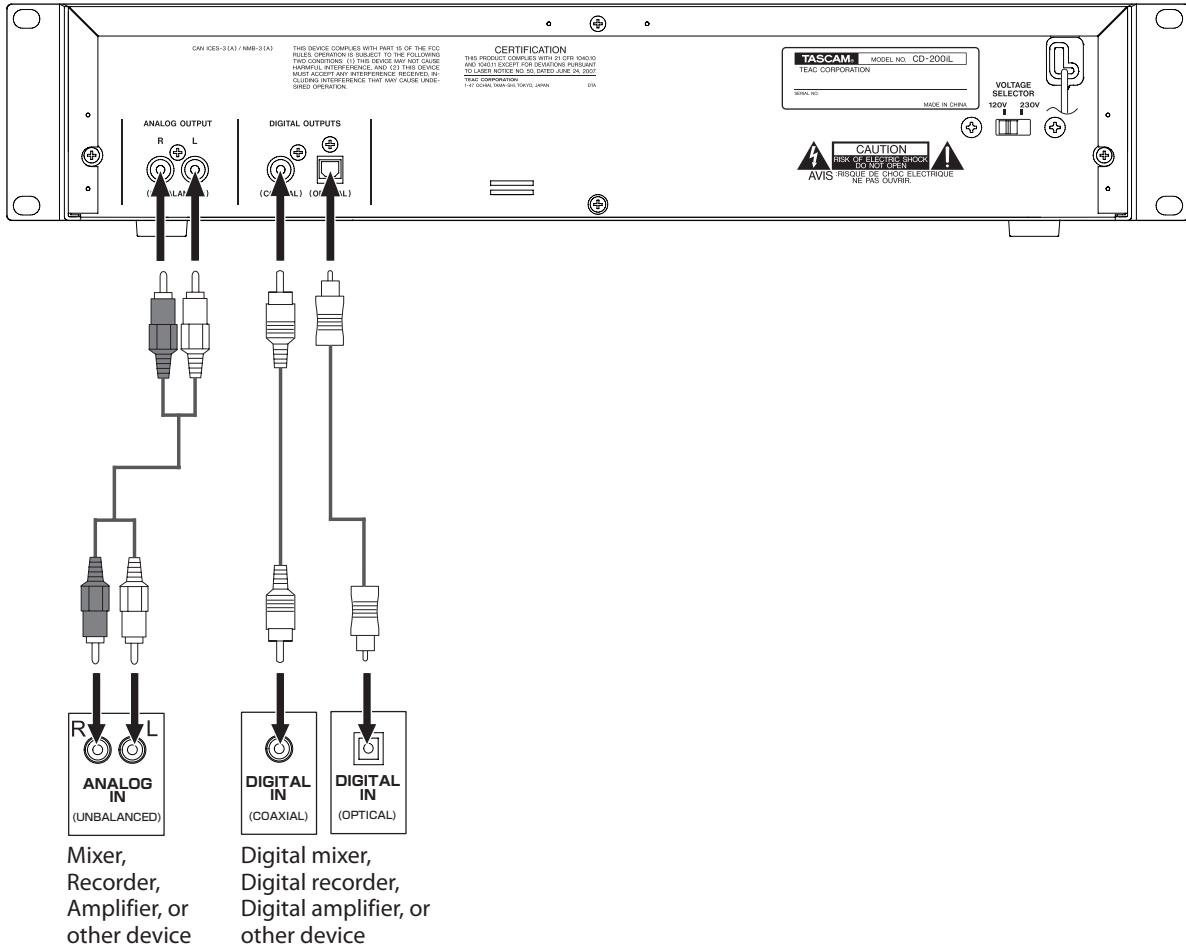
# 3 – Preparations

## Making connections

Examples of connections that can be made with a CD-200iL are shown below.

### ■ Precautions before making connections

- Before connecting other devices, read their operation manuals carefully and connect them properly.
- Turn the power OFF or set the power to standby for this unit and all units to be connected to it.
- Set up all the units so that they are powered from the same line. When using a power strip, for example, use a thick cable with a high current capacity to reduce fluctuation of the power voltage.



### ■ Connecting analog audio devices

Connect the analog output jacks of this unit to the input jacks of a stereo amplifier, mixer, recorder or other device with analog inputs.

#### NOTE

- Cables are not included with this unit.
- Do not bundle RCA cables with power cords or speaker cables. Doing so could cause reduced audio quality or noise.

### ■ Connecting digital audio devices

Connect a digital output jack (coaxial or optical) of this unit to the input jack of a stereo amplifier, mixer, recorder or other device with a digital input.

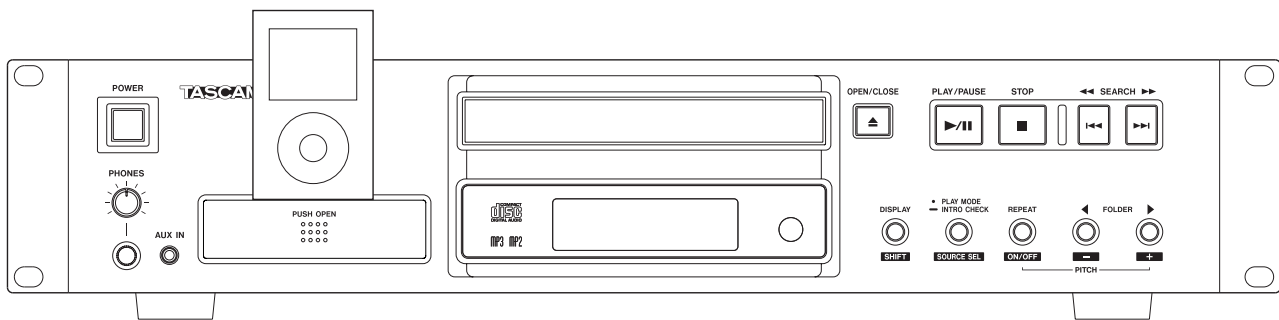
#### NOTE

- During data CD playback, the sampling frequency of this unit's digital output is converted to 44.1 kHz before output regardless of the sampling frequency of the playback file.
- This unit cannot convert analog audio input through the AUX IN jack into digital audio and output it.
- If the pitch control function is on during CD playback, the sampling frequency of the digital audio output signal is changed by an amount equivalent to the pitch control value. In this case, some devices might not be able to accept digital audio signals output from this unit.

# 3 – Preparations

## Connecting an iPod or iPhone

This unit can control an iPod or iPhone and output its audio when it is connected to the iPod dock on the front. This unit can also recharge the iPod or iPhone.



### CAUTION

- When an iPod or iPhone is inserted into this unit's iPod dock, the top of the iPod or iPhone is higher than the top of the unit. Leave 2U or more space open about the unit to prevent interference with devices installed above it.
- An iPod or iPhone without a Lightning or Dock connector cannot be connected to the dock. (See "Connecting external audio players" on page 16.)
- Always remove any case from an iPod or iPhone before connecting it. Connecting with a case on might prevent complete connection and proper operation and playback.
- Always use a dock adapter that is suitable for the iPod or iPhone that you are using. The use of an unsuitable adapter could damage the connectors of both devices.
- iPod models that do not support USB mode will not be recharged when connected to this unit. They will also not respond to pressing the PLAY/PAUSE button on this unit. When playback operations are conducted from the iPod itself, analog audio will be output from this unit.
- Do not connect an iPod or iPhone to this unit using a Lightning to 30-pin Adapter. If you do so, the playback sound might not be output and iPod or iPhone control and recharging might not be possible.

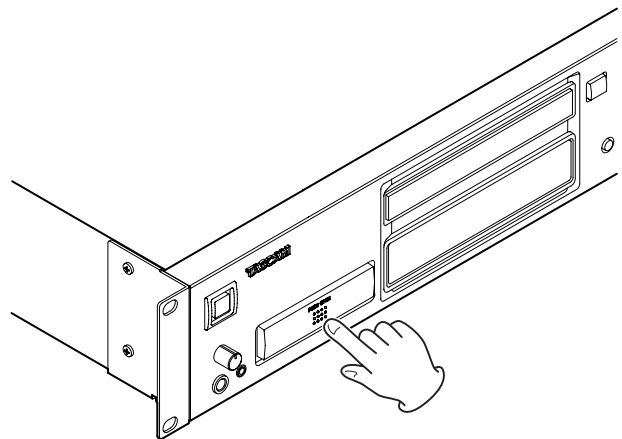
### NOTE

- When an iPod or iPhone is connected to this unit's iPod dock, it will be recharged whenever this unit's power is ON. When the iPod or iPhone is completely charged, the unit stops charging. When the unit's power is OFF, it does not charge the connected iPod or iPhone. During charging, a battery icon appears on the iPod or iPhone screen that shows the charging status. Please see the operation manual for the iPod or iPhone that you are using for details.
- If one iPod/iPhone is connected to the Lightning connector and another is connected to the 30-pin Dock connector, the one that was connected last can be controlled and recharged. The iPod or iPhone that was connected earlier cannot be controlled or recharged. If this unit, the iPod/iPhone connected to the Lightning connector and the iPod/iPhone connected to the 30-pin Dock connector are all off, when this unit is turned on again, the iPod/iPhone connected to the Lightning connector will be the one that can be controlled and recharged.
- See the TASCAM website (<https://tascam.com/us/>) for details about compatible devices.

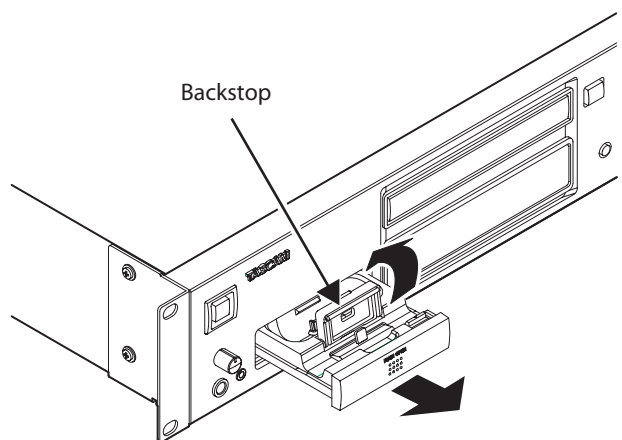
## Opening the iPod dock

### ■ Connecting an iPod or iPhone with a Lightning connector

1. Push the iPod dock in the center where it says "PUSH OPEN" to unlock the iPod dock.



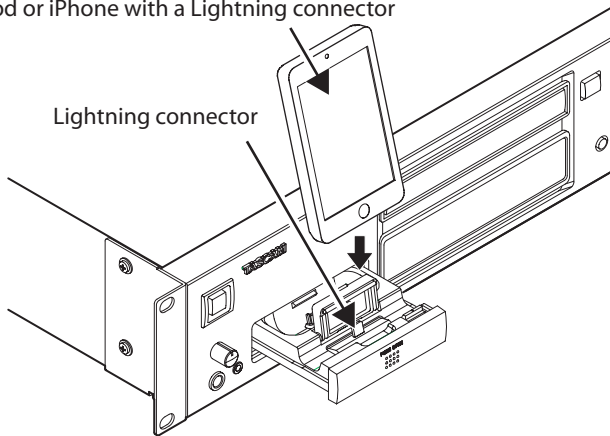
2. Pull the iPod dock out until you can use the Lightning connector and it locks. Then, raise the backstop.



## 3 – Preparations

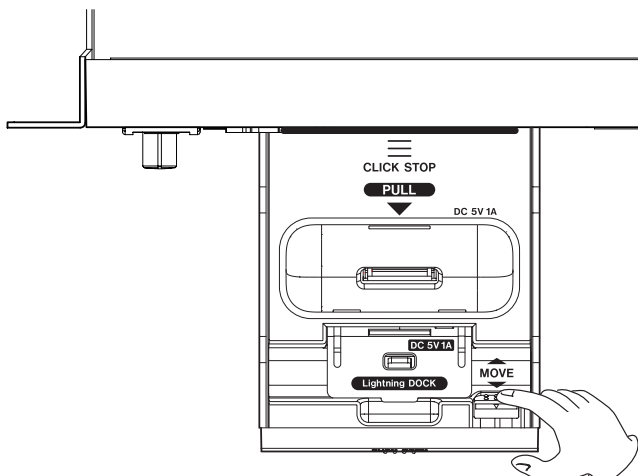
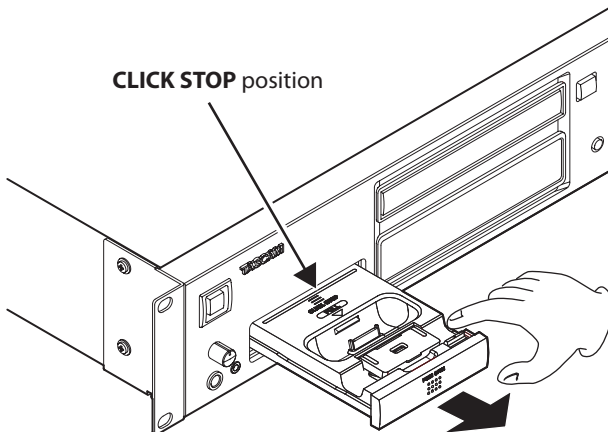
3. Connect the iPod or iPhone with a Lightning connector.

iPod or iPhone with a Lightning connector



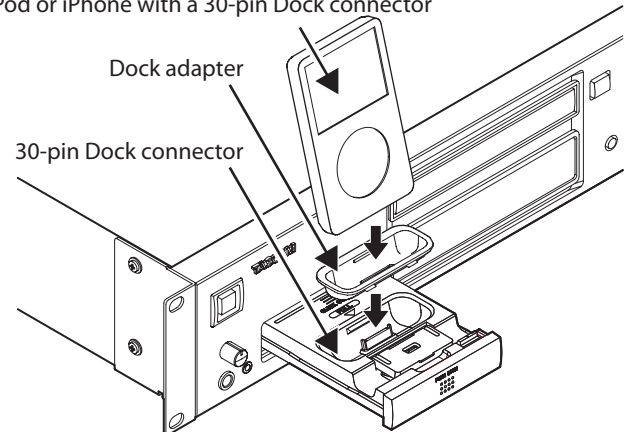
### ■ Connecting an iPod or iPhone with a 30-pin Dock connector

1. Push the iPod dock in the center where it says **PUSH OPEN** to unlock the iPod dock.
2. Pull the iPod dock out until you can use the Lightning connector and it locks.
3. Pull the unlocking lever to unlock the iPod dock, and then pull the dock forward to the **CLICK STOP** position.



4. Insert a dock adapter that is suitable for your iPod or iPhone with a 30-pin Dock connector into the 30-pin Dock connector section, and then connect that iPod or iPhone.

iPod or iPhone with a 30-pin Dock connector



### NOTE

*When connecting an iPod or iPhone with a 30-pin Dock connector always insert a dock adapter suitable for your iPod or iPhone into the connector area. Dock adapters are not included with this product. Use the dock adapter included with your iPod or iPhone or a commercially-available Apple Universal Dock Adapter made by Apple Inc.*

### CAUTION

- Do not move the iPod dock left, right, up or down when it is pulled out.
- Do not place anything other than an iPod or iPhone on the iPod dock when it is pulled out.

### Closing the iPod dock

After removing the iPod or iPhone, while pulling the unlocking lever on top of the iPod dock, push the front of the dock where it says **PUSH OPEN**.

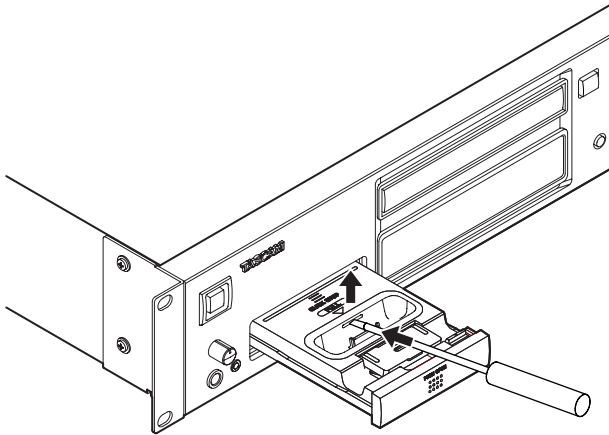
### CAUTION

*When closing the iPod dock, always pull the unlocking lever on the top of the iPod dock to unlock it when pressing **PUSH OPEN** on the front of the dock.*

## 3 – Preparations

### Removing a dock adapter

As shown in the illustration below, insert a flathead screwdriver into the hole in the dock adapter and then use the driver to remove the adapter.

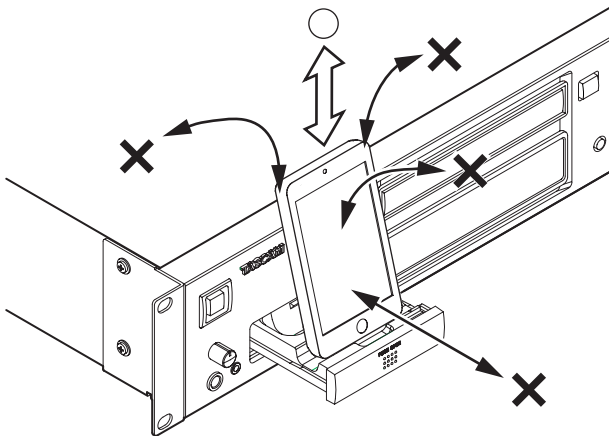


#### CAUTION

- When removing the dock adapter, use a hand to hold the iPod dock in place.
- Do not move the iPod dock left, right, up or down when it is pulled out.

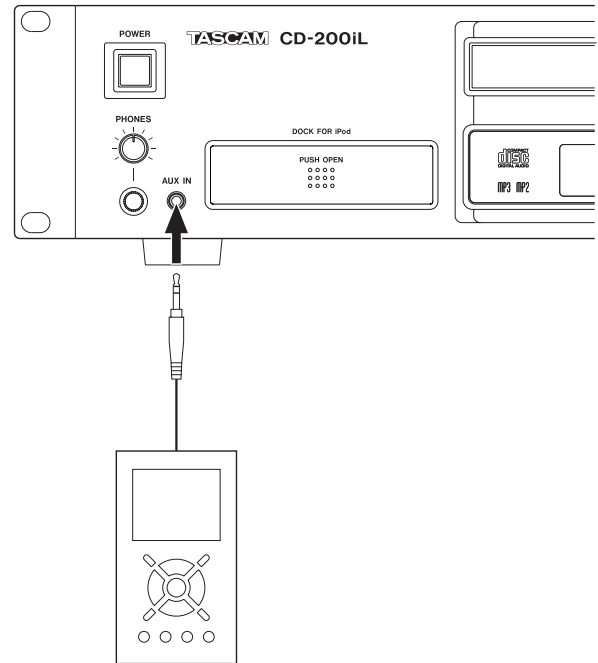
### Removing the iPod or iPhone

- Before connecting or disconnecting an iPod or iPhone, set the current source to **-CD-** or **-AUX-** (not **-DOCK-**) or turn this unit off.
- In order to avoid applying excessive force when connecting or disconnecting an iPod or iPhone, align it with the Dock connector and proceed gently. Refer to the illustration below.



Direction of iPod/iPhone insertion and removal

### Connecting external audio players



By connecting the analog output (line out or headphones jack) of another type of audio player or an iPod/iPhone that does not have a Lightning or Dock connector to the **AUX IN** jack on the front of this unit, you can output sound from these audio players through the output jacks of this unit. Since the **AUX IN** jack does not have an input level adjustment, adjust the output level from the connected device.

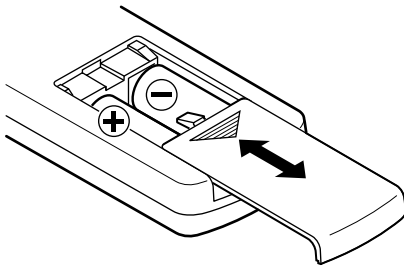
#### CAUTION

- Minimize the volume of an external device before connecting it to the **AUX IN**. Failure to do so could cause a sudden burst of loud noise, which might result in hearing damage, for example.
- Before connecting or disconnecting with the **AUX IN** jack, set the current source to **-CD-** or **-DOCK-** (not **-AUX-**) or turn this unit off.



## Preparing the remote control

### Inserting batteries



1. Open the lid.
2. Confirm  $\oplus/\ominus$  polarity, and insert two AA batteries.
3. Close the lid.

### Replacing the batteries

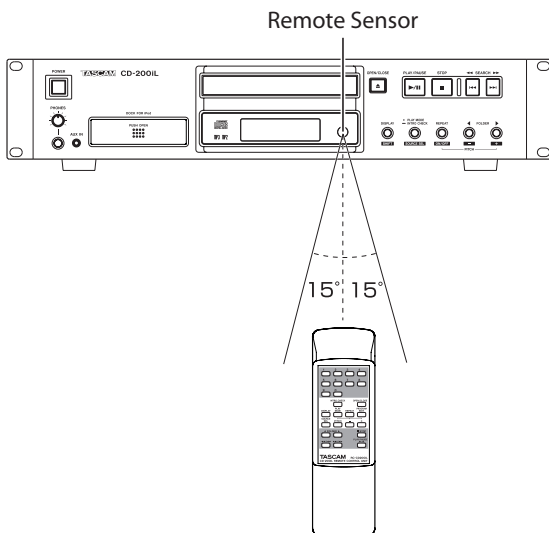
Replace both batteries with new ones when the range of the remote control becomes short or if the function buttons become unresponsive.

### Cautions about the use of batteries

Misuse of batteries could cause them to leak, rupture or otherwise be damaged. Please read and abide by the precautions on them when using batteries. Also see "CAUTIONS ABOUT BATTERIES" on page 4.

### Cautions about using the remote control

- Use of this remote control could cause other devices that can be controlled by infrared rays to be operated accidentally.
- Use the remote control within the following range.

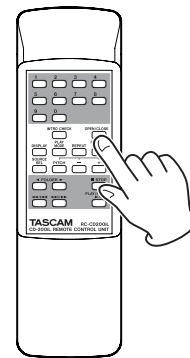
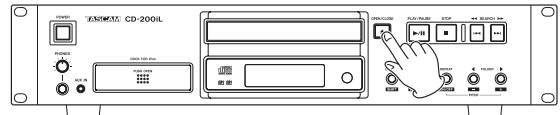


Operation distance  
 Directly in front: Within 7 meters  
 15° left or right: Within 7 meters

## Loading a CD

To load a CD, press the **OPEN/CLOSE** button on the main unit or on the remote control to open the disc tray, and put the CD into the tray with the label facing up.

Press the **OPEN/CLOSE** button again to close the disc tray. After loading the disc, the unit reads the disc's information and the display shows the total number of tracks and total playback time if it is an audio CD or the total number of tracks in the current folder or on the entire disc if it is a data CD.



### NOTE

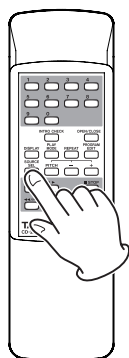
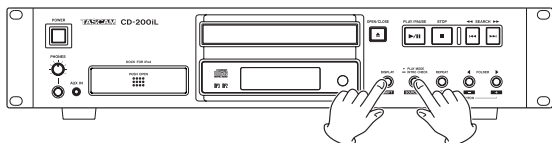
- *When the current source is **CD** and a disc is loaded in the tray, instead of pressing the **OPEN/CLOSE** button to close the disc tray, you can press the **PLAY/PAUSE** button to close the disc tray and begin playback automatically after it closes.*
- *If you open the disc tray while this unit is in use, the following settings are lost.*
  - Program
  - Current folder (for data CDs)

## 3 – Preparations

### Selecting the output source (current source)

With this unit, you can select CD, DOCK (iPod or iPhone) or AUX IN as the playback source of the audio signal for output.

Press the **PLAY MODE/INTRO CHECK [SOURCE SEL]** button while pressing the **DISPLAY [SHIFT]** button on the main unit or press the **SOURCE SEL** button on the remote control.



Cycle through the current media options in the following order.

→ CD → DOCK → AUX IN →

Current source selection order



Display when current source is set to -CD-



Display when current source is set to -DOCK-



Display when current source is set to -AUX-

#### CAUTION

- -DOCK- and -AUX- cannot be selected when no corresponding device is connected.
- If a CD is playing back or paused when the current source is changed from -CD- to -DOCK-, playback will stop. Moreover, if the iPod or iPhone is playing when the current source is changed from -DOCK- to -AUX IN-, playback will pause.

#### NOTE

Even when the current source is changed, CD playback mode settings, the current folder selection and program contents are not erased.

# 4 – CD playback

In this chapter, we explain playback functions that can be used with tracks on CDs.

The following explanations assume that a CD that contains audio files/tracks has been loaded in this unit, the power is ON and the  $\text{CD}$  has been set as the current source. (See "Selecting the output source (current source)" on page 18.)

## Playable discs and files

This unit can play back the following types of discs and files.

### ■ CD-DA (audio CD) format discs

Music CDs that are commercially available and CD-R and CD-RW discs that have been recorded as audio CD format can be played. In this manual, these types of discs are called "audio CDs."

### ■ Data CDs

This unit can play back CD-ROM/R/RW discs with MP3, MP2 and WAV files in ISO 9660 Level 1, Level 2 and Joliet formats. In this manual, these types of discs are called, "data CDs."

#### NOTE

- *This unit cannot read CD-R/RW discs that have not been finalized.*
- *For details about playable sampling frequencies and bit rates, see "Playback file formats" on page 30.*
- *During data CD playback, the sampling frequency of this unit's digital output is always 44.1 kHz regardless of the playback file sampling frequency. Digital output is possible when pitch control is ON, but the sampling frequency is altered in proportion to the pitch control value. When the pitch control function is ON, therefore, some equipment might not be able to receive the digital output of this unit.*
- *This unit's display can only show single-byte characters (alphabet and numbers). File with names that use Japanese, Chinese or other double-byte characters can be played back, but those characters will be shown as \_ on the display.*
- *This unit identifies MP3 and MP2 files by their ".mp3" and ".mp2" file extensions. This unit cannot play MP3/MP2 files that do not have the correct ".mp3" and ".mp2" file extension, so always include these file extensions at the ends of MP3/MP2 file names. This unit cannot play files that are not in the MP3/MP2 data format even if they have an ".mp3" and ".mp2" file extension.*
- *The unit identifies WAV files with the ".wav" file extension. This unit cannot play WAV files that do not have the ".wav" file extension, so always include the ".wav" file extension at the end of the name of an WAV file. The unit cannot play files that are not in the WAV data format even if they have the ".wav" file extension.*
- *Data CDs with more than 999 files or 512 folders might not play correctly.*
- *Depending on disc conditions, this unit might not be able to play some discs, or skips in the sound might occur.*

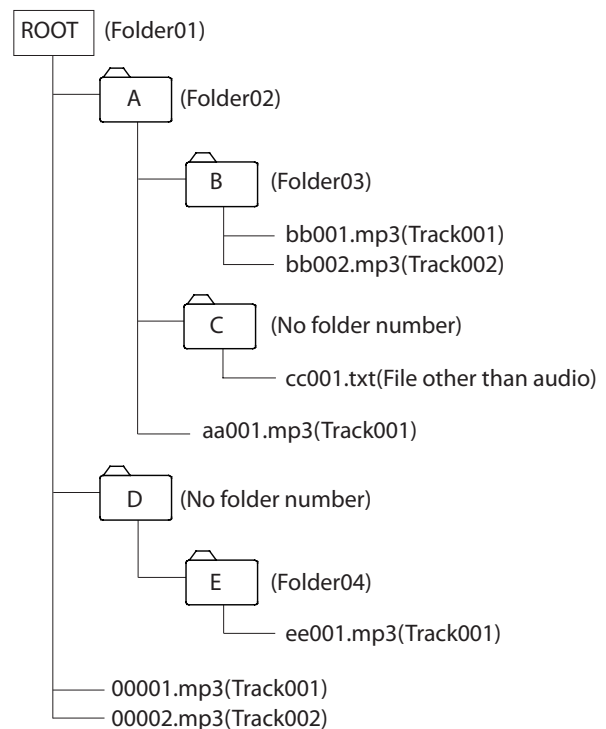
## Folders and tracks on data CDs

This unit treats all the audio files on data CDs as "tracks". Some data CDs store files inside folders in the same way that computers usually do. In addition, multiple folders can be stored inside another folder creating a multilevel structure. (The maximum number of folder levels is 16.)

You can use this unit's folder search function to look for audio files among multiple folders. Searching starts from high-level folders and then moves to lower-level subfolders.

If there are audio files in the root directory of a data CD, this root directory is also treated as a folder.

Folders that do not directly contain audio files will be ignored when searching folders. For example, folders C and D in the illustration below would be ignored when searching folders.



Example of data CD structure

# 4 – CD playback

## Playback modes

This unit can play back tracks using the following three playback modes.

### Continuous playback mode (default setting)

Tracks on the CD are played back in numerical order.

#### NOTE

*When the folder playback function is on with a data CD, the tracks in the current playback folder are played back in numerical order. (See "Folder playback (data CDs)" on page 21.)*

### Shuffle playback mode

The tracks on the CD are played back in random order regardless of their track numbers. Playback stops after all tracks have been played once.

#### NOTE

*When the folder playback function is on with a data CD, the tracks in the current playback folder are played back randomly. (See "Folder playback (data CDs)" on page 21.)*

### Programmed playback mode

Tracks on the CD are played back in the programmed order. (See "Programmed playback" on page 22.)

#### NOTE

*When the folder playback function is on with a data CD, the tracks in the current playback folder can be added to the program. (See "Folder playback (data CDs)" on page 21.)*

## Selecting the playback mode

Press the main unit **PLAY MODE/INTRO CHECK [SOURCE SEL]** button or the remote **PLAY MODE** button to cycle through the playback modes. During playback, however, only continuous and shuffle playback modes can be selected.

To select programmed playback, press the main unit **PLAY MODE/INTRO CHECK [SOURCE SEL]** button or the remote **PLAY MODE** button when playback is stopped.

The currently selected playback mode is shown on the display as follows.

Indicator	Playback mode
No indicator	Continuous playback mode
SHUFFLE	Shuffle playback mode
MEMORY	Programmed playback mode

#### NOTE

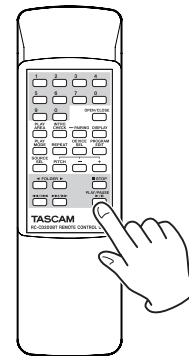
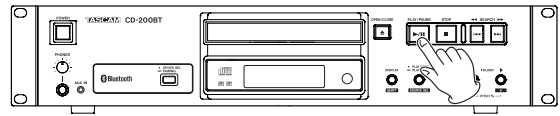
- *The selected playback mode is retained even when the power is turned off.*
- *Immediately after pressing the **PLAY MODE/INTRO CHECK [SOURCE SEL]** button on the main unit or the **PLAY MODE** button on the remote control, the selected mode is shown on the main display area as follows.*

Continuous playback mode: CONTINUE  
 Shuffle playback mode: SHUFFLE  
 Programmed playback mode: PROGRAM

## Playback

The following procedures assume that the necessary connections have been completed, the unit's power has been turned ON and CD has been loaded.

To start playback, press the **PLAY/PAUSE** button on the main unit or the remote control.



### ■ Stopping playback

Press the **STOP** button on the main unit or the remote control.

### ■ Pausing playback

Press the **PLAY/PAUSE** button on the main unit or the remote control.

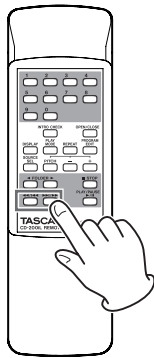
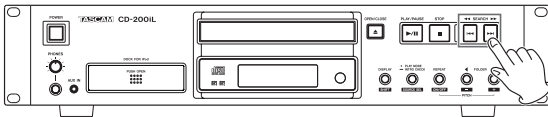
In this manual, unless stated otherwise, explanations are given assuming that the playback mode is continuous. (See "Playback modes" on left column.)

## Selecting a track

There are two ways to select a track. You can move (skip) to the previous or next track, or you can select a track directly by its track number.

### Skipping to the next or previous track

Use the main unit **SEARCH**  $\lll/\ggg$  [ $\lll/\ggg$ ] buttons or the remote search ( $\lll/\lll$  and  $\ggg/\ggg$ ) buttons to skip to tracks.



After selecting the track, press the **PLAY/PAUSE** button on the main unit or the remote control to start track playback.

#### NOTE

*If you press the main unit **SEARCH**  $\lll/\ggg$  buttons or the remote search ( $\lll/\lll$  and  $\ggg/\ggg$ ) buttons during playback, playback will resume after skipping tracks.*

## Selecting by track number

Use the number (0–9) buttons on the remote control to directly select tracks for playback.

Track numbers can have up to two digits for audio CDs and up to three digits for data CDs.

1. Use the number (0–9) buttons on the remote control to input the track number. Enter the track number starting from the largest digit.

#### To select track 1:

Press the **1** button one time.

#### To select track 12:

Press the **1** button followed by the **2** button.

2. Press the **PLAY/PAUSE** button on the main unit or the remote control. The selected track begins to play.

If you press the **STOP** button on the main unit or the remote control, the display stops showing the track number input and the display returns to its previous state.

#### NOTE

*The number (0-9) buttons cannot be used to select a track when in program or shuffle playback mode.*

## Search forward and backward

You can search forward and backward in a track while listening to it.

1. Play or pause the desired track.
2. Press and hold a **SEARCH**  $\lll/\ggg$  [ $\lll/\ggg$ ] button on the main unit or a search ( $\lll/\lll$  or  $\ggg/\ggg$ ) button on the remote control to start searching forward or backward.
3. Release the button that you are holding to stop searching and return the unit to the state it was in before searching (playback or pause).

#### NOTE

*Searching forward and backward is possible with data CDs.*

## Folder playback (data CDs)

When playing a data CD and the folder playback function is on, the folder number is shown in the folder number area on the display, and the set folder (current folder) can be used as the playback area.

Follow the procedures below to set the playback folder.

#### NOTE

*When the folder playback function is off, ALL appears in the folder number area of the display. In this case, the entire data CD will be used as the playback area.*



## Setting the playback folder

1. Press a main unit **FOLDER**  $\lll/\ggg$  [**PITCH**  $-/+$ ] button or remote control **FOLDER**  $\lll/\ggg$  button to show the folder number in the folder number area on the display and turn the folder playback function on.
2. Use the main unit **FOLDER**  $\lll/\ggg$  [**PITCH**  $-/+$ ] buttons or remote control **FOLDER**  $\lll/\ggg$  buttons to select the playback folder.

After selecting the playback folder, the transport will move to beginning of the first track in that folder.

#### NOTE

- *Continue pressing a main unit **FOLDER**  $\lll/\ggg$  [**PITCH**  $-/+$ ] button or remote control **FOLDER**  $\lll/\ggg$  button to change folders in order. When you change to a different folder, it becomes the current folder.*
- *When the folder playback function is on, using **REPEAT ALL** plays back all tracks inside the current folder repeatedly.*
- *When the folder playback function is on, using **SHUFFLE** plays back all tracks inside the current folder randomly.*
- *When the folder playback function is on, only tracks in the current folder can be added to a program.*

# 4 – CD playback

## Programmed playback

To use programmed playback, you must set a program either before or after setting the playback mode to programmed playback mode. (See “Selecting the playback mode” on page 20.)

When in programmed playback mode, press the **PLAY/PAUSE** button on the main unit or the remote control to start playback of the set program in order from the first track (program step 01).

Press a main unit **SEARCH** [◀/▶] [◀◀/▶▶] button or remote control search (◀/▶ or ◀◀/▶▶) button to skip to the previous or next program step.

When in programmed playback mode and playback of an audio CD is stopped, the total number of tracks in the program and the total program time are shown.

When using a data CD, only the program number is shown.



### NOTE

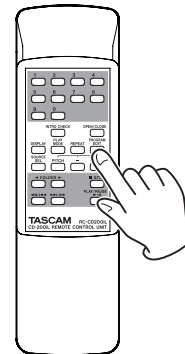
- To select programmed playback, when stopped or when a CD is not loaded, press the main unit **PLAY MODE/INTRO CHECK [SOURCE SEL]** button or the remote control **PLAY MODE** button.
- When the folder playback function is on for a data CD, tracks in the current folder can be added to the program.

## Setting the program

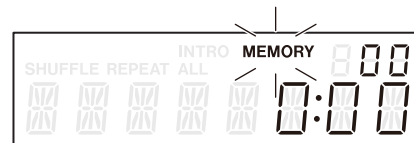
When no program is set, follow the procedures below to set a program using the remote control.

### NOTE

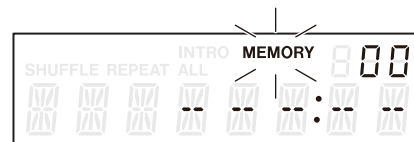
- The program cannot be set from the main unit.
  - You can set a program at any time regardless of the current playback mode.
  - CD programs are cleared when the disc tray is opened or the current folder is changed.
1. When playback is stopped, press the remote control **PROGRAM EDIT** button to enter program setting mode.



If no program has been set, adding a track to program step “01” will be possible (MEMORY indicator blinks).



Display when using audio CD

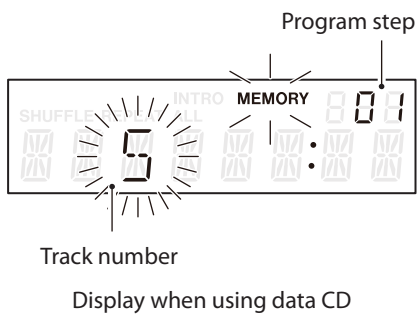
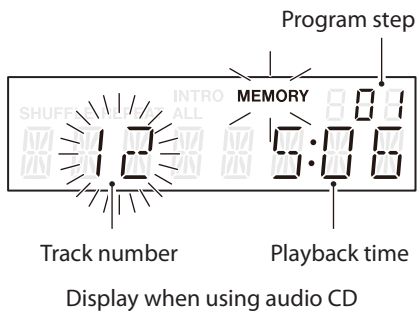


Display when using data CD

### NOTE

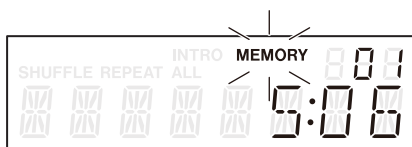
If the program has already been set, the track number and playback time of the track set for program step 01 are shown.

- Use the remote number (0–9) buttons or search (◀◀/▶▶ and ▶▶/▶▶) buttons to select a track to set as program step 01 (MEMORY and the track number blink).  
When using the remote control number (0–9) buttons, enter the number starting with the largest unit.



## NOTE

- When using a data CD, the screen switches to file name display if more than a second passes after pressing one of the remote number (0–9) or search (◀◀/▶▶ and ▶▶/▶▶) buttons, but you can still add the track to the program.
  - If you press the STOP button while a track is selected, selection of that track is canceled, and the screen returns to the state where you can select a track.
- Press the remote PROGRAM EDIT button to add the selected track as program step 01.



- The unit is now ready for you to add another track as the next program step.
- If you are finished adding tracks to the program, press the remote PROGRAM EDIT button when the empty program step is shown.

The unit exits program setting mode.

## NOTE

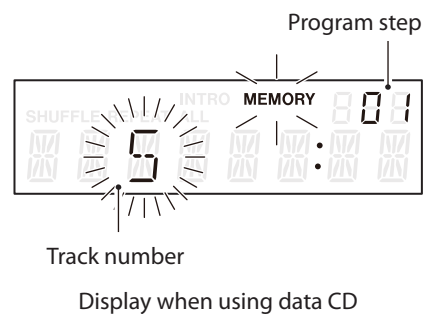
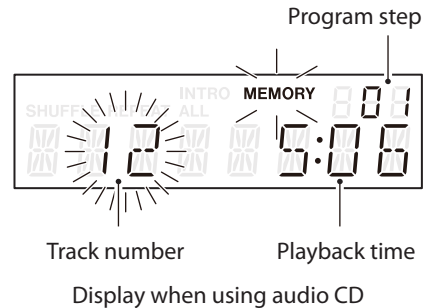
- The same track can be added to the program multiple times.
- If you press the STOP button when it is possible to add a track to a new program step, all steps in the program will be cleared. (See "Clearing the program" on page 24.)
- If you try to add more than 99 tracks, a PGM FULL error message appears. Only 99 tracks can be added.

## Checking the program

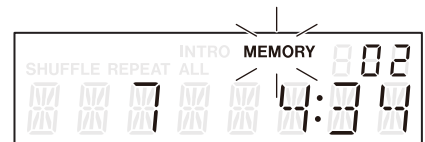
You can check the contents of the program.

- Press the PROGRAM EDIT button on the remote control while playback is stopped to put the unit into program setting mode.

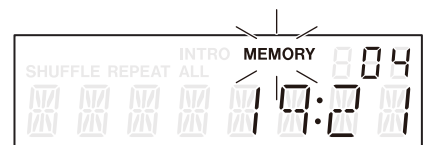
The track number and playback time of the track set as program step 01 are shown on the screen and the MEMORY indicator blinks (the playback time is not shown if the loaded disc is a data CD).



- Press the PROGRAM EDIT button to show the track information of the next program step.



- If you press the PROGRAM EDIT button when the final program step is shown, it becomes possible to add another program step. (No track number is shown and MEMORY blinks.)



- Press the PROGRAM EDIT button again to exit the program setting mode.

## 4 – CD playback

### Replacing a program track

You can replace a track that has already been added to the program.

1. Press the **PROGRAM EDIT** button on the remote control while playback is stopped to put the unit into program mode.
2. Follow the steps in “Checking the program” above and press the **PROGRAM EDIT** button to show the program step with the track that you want to replace.
3. Use the remote number (0–9) buttons or skip (◀◀/▶▶ and ▶▶/▶▶) buttons to select the desired track and press the **PROGRAM EDIT** button.

After replacing a track, the display shows the empty step at the end of the program and you can add another track to the end of the program if desired.

4. Press the **PROGRAM EDIT** button again to exit program setting mode.

### Adding more program tracks

You can add tracks to the end of an already set program.

1. Press the **PROGRAM EDIT** button on the remote control while playback is stopped to activate program setting mode.
2. Press and hold the **PROGRAM EDIT** button until the empty program step where it is possible to add a track appears. (No track number is shown and MEMORY blinks.)
3. Use the remote number (0–9) buttons or skip (◀◀/▶▶ and ▶▶/▶▶) buttons to select the track to add and press the **PROGRAM EDIT** button.
4. In this state, you can repeat step 3 to add more tracks, or you can press the **PROGRAM EDIT** button to exit program setting mode.

#### NOTE

- Tracks can be added to the end of a program and programmed tracks can be replaced with different tracks, but tracks cannot be inserted into the middle of a program.
- If you want to insert a track into the middle of the program, replace and add program tracks to alter the program contents.

### Clearing the program

You can clear the entire program that has been set.

1. Press the **PROGRAM EDIT** button on the remote control while playback is stopped to activate program setting mode.
2. Press and hold the **PROGRAM EDIT** button until the empty program step where it is possible to add a track appears. (No track number is shown and MEMORY blinks.)
3. Press the remote **STOP** button.  
–CLEAR– appears on the display. After clearing completes, program setting mode resumes with the empty program.



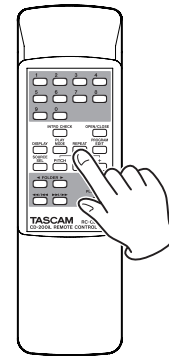
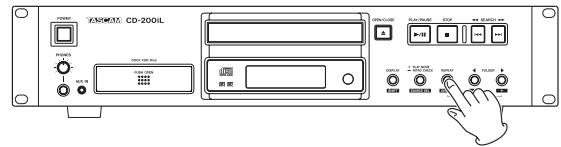
#### NOTE

Opening the disc tray also clears the program.

### Repeat playback

You can play a selected track or all tracks repeatedly.

Press the main unit **REPEAT [PITCH ON/OFF]** button or remote control **REPEAT** button to turn the repeat playback function on and off and select the repeat playback mode.



→ Single repeat → All repeat → Repeat off

Repeat playback mode selection order

#### Single repeat (REPEAT indicator appears on display)

The selected track is played back repeatedly.



#### All repeat (REPEAT and ALL indicators appear on display)

All tracks are played back repeatedly.



#### Repeat OFF (no indicator)

Repeat playback is OFF.

#### NOTE

- With a data CD when the folder playback function is on, using REPEAT ALL plays back all tracks inside the current folder repeatedly.
- In programmed playback mode, all tracks in the set program are played back repeatedly.
- If the repeat playback function is turned ON during playback, playback continues as is until the end and then playback continues from the beginning.
- If repeat playback is turned ON when stopped, repeat playback begins when the PLAY/PAUSE button is pushed.
- The repeat playback function's ON/OFF state is retained even when the power is turned OFF.

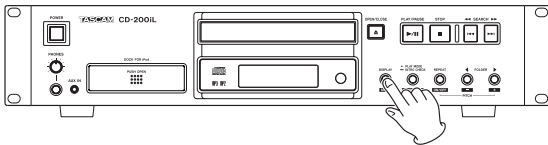


## Time and text information display

You can set what type of time and text information is shown on the display.

Press the **DISPLAY [SHIFT]** button on the main unit or the **DISPLAY** button on the remote control to show for two seconds the type of information (playback time or text information) that is currently set to appear in the main area of the display. Press this button again while this is being shown to change the type of information displayed.

When changing, the types of information that can be displayed differ depending on the type of disc loaded, its status and the operation state of this unit.



### ■ Audio CDs with CD text

When playing back or paused, you can change the information shown on the display, cycling through track elapsed time, track remaining time, total remaining time, track title and track artist.

You can also change the information shown when stopped, but the display cycles through total time, album title and album artist.

### ■ Audio CDs without CD text

When playing back or paused, you can change the information shown on the display, cycling through track elapsed time, track remaining time and total remaining time.

You can also change the information shown when stopped, but the display switches between total tracks and total time.

### ■ Data CD

When playing back or paused, you can change the information shown on the display, cycling through track elapsed time, track title, track artist and file name.

When stopped, you can still change the display mode from the track elapsed time to the album title.

When stopped, you can switch to the album title (current folder).

### NOTE

- After pressing the **DISPLAY [SHIFT]** button on the main unit or the **DISPLAY** button on the remote control, the currently selected type of information to be shown on the main display appears for two seconds as follows.

Track elapsed time: ELAPSED

Track remaining time: REMAIN

Total remaining time: T REMAIN

Album/track title: TITLE

Album/track artist: ARTIST

File name: FILENAME

- The text information shown on the display is CD text information for audio CDs and ID3 tag information for data CDs. When information is not included for a disc or file, NO TITLE (title information) or NO NAME (artist information) is shown. If the information contains characters that cannot be displayed, those characters are replaced by \_.
- When an audio CD is in programmed playback mode the elapsed time and remaining time of the entire program is shown.
- The display contents setting is retained even when the power is turned off.

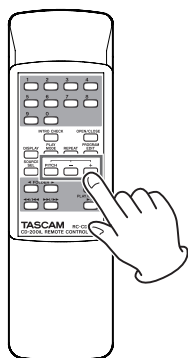
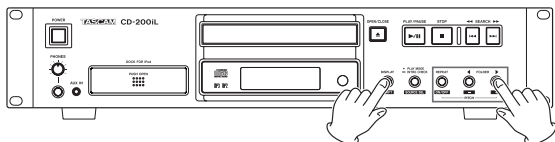
# 4 – CD playback

## Pitch control playback

With pitch control playback, this unit can alter the pitch (sound frequency and playback speed) of CDs during playback.

Follow the procedures below to use pitch control playback.

1. Press the **REPEAT [PITCH ON/OFF]** button while pressing and holding the **DISPLAY [SHIFT]** button on the main unit or press the **PITCH** button on the remote control to turn pitch control ON.



2. Use the **FOLDER </> [PITCH +/-]** buttons while pressing and holding the **DISPLAY [SHIFT]** button on the main unit or use the **PITCH +/-** buttons on the remote control to set the pitch in 0.5% units in a range of  $\pm 14.0\%$ .

### ■ To turn pitch control playback OFF:

Press the **REPEAT [PITCH ON/OFF]** button while pressing and holding the **DISPLAY [SHIFT]** button on the main unit or press the **PITCH** button on the remote control.



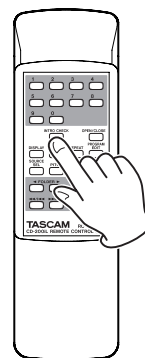
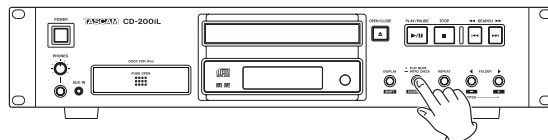
### NOTE

- During playback, turning pitch control playback ON or OFF might cause the playback sound to skip momentarily.
- Using pitch control playback with a data CD (MP3, MP2, WAV) sometimes causes the playback sound to skip.
- When the pitch control function is on, digital output is possible, but the sampling frequency will be changed by an amount equivalent to the pitch control value. When the pitch control function is on, some devices might not be able to receive this unit's digital output.
- The pitch control function cannot be used with an iPod or iPhone.

## Intro check function

The intro check function can be used to automatically play back the first 10 seconds of every track on a CD one after another.

During playback or when stopped, press and hold the main unit **PLAY MODE/INTRO CHECK [SOURCE SEL]** button or the remote control **INTRO CHECK** button to start intro check playback. The **INTRO** indicator appears on the display when this function is active.



- During intro check playback press a main unit **SEARCH </> [I</>]** button or remote control search (**</>/I</>** or **>>/I</>**) button to skip to the previous or next track.
- To stop intro check playback, press the main unit or remote control **STOP** button.

### ■ Turning the intro check function off

During intro check playback, press and hold the main unit **PLAY MODE/INTRO CHECK [SOURCE SEL]** button or remote control **INTRO CHECK** button again to return to ordinary playback mode. The **INTRO** indicator disappears from the display.

### NOTE

- The intro check playback function can also be used with data CDs.
- The intro check playback function can also be used during programmed playback and folder playback modes.
- The intro check playback function cannot be used with an iPod or iPhone.

# 5 – iPod/iPhone Playback

When an iPod or iPhone is connected to the iPod dock on the front of this unit, this unit can output the iPod or iPhone's sound and control it. Moreover, when this unit is on, it can also recharge the iPod or iPhone. (See "Connecting an iPod or iPhone" on page 14.)

## iPod dock

Connect an iPod or iPhone following the instructions in "Connecting an iPod or iPhone" on page 14.

Always insert a dock adapter suitable for your iPod or iPhone into the connector. Dock adapters are not included with this product. Use the dock adapter included with your iPod or iPhone or a commercially-available Apple Universal Dock Adapter made by Apple Inc.

- Read the instructions in "Connecting an iPod or iPhone" on page 14 carefully and proceed with caution when connecting and disconnecting an iPod or iPhone in order to avoid damage to the connectors and sudden loud noises.
- See the TASCAM website (<https://tascam.com/us/>) for details about compatible devices.

## iPod/iPhone control

Front panel and remote control (TASCAM RC-CD200iL) buttons can be used to control the iPod or iPhone as follows.

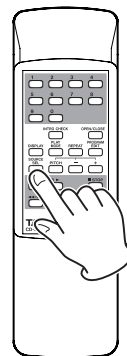
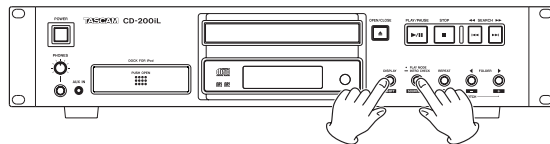
- PLAY/PAUSE** (▶ / ||): Play and pause
- Skip (◀◀ / ◀ and ▶▶ / ▶): Skip to previous/next track (press and hold to search backward/forward)
- FOLDER** ◀ / ▶: Skip through albums
- REPEAT**: Change repeat playback mode
- PLAY MODE**: Change shuffle playback mode

### CAUTION

- *This unit might not be able to control an iPod or iPhone depending on its software version and generation.*
- *Depending on the connected iPod or iPhone, the SHUFFLE and REPEAT indicators on the iPod or iPhone and the CD-200iL might differ. Check the iPod or iPhone itself to confirm its current playback mode and repeat playback mode.*

## Preparing iPod/iPhone playback

While pressing the **DISPLAY [SHIFT]** button, press the **PLAY MODE/INTRO CHECK [SOURCE SEL]** button on the main unit or press the remote control **SOURCE SEL** button to set the current source to **-DOCK-**.



Doing this makes it possible to control the iPod or iPhone from this unit and the TASCAM RC-CD200iL remote control, as well as to output the iPod/iPhone's sound from this unit.

# 6 – Message Lists

## Operation messages

Depending on the operation of the unit, the following messages will appear in the main display area.

Message	Meaning	Response
-AUX-	AUX IN is selected as the current source.	
-CLEAR-	All programs have been cleared.	
CLOSE	The disc tray is closing.	
-DOCK-	-DOCK- is selected as the current source.	
DOCK----	No iPod or iPhone is connected to the dock.	If this message appears even when an iPod or iPhone is connected, disconnect that iPod or iPhone from the iPod dock for a few seconds and then reconnect it to the dock.
DOCK-30-	An iPod or iPhone with a 30-pin Dock connector is connected to the dock.	
DOCK-LT-	An iPod or iPhone with a Lightning connector is connected to the dock.	
NO DISC	There is no disc or the disc cannot be verified.	
NO FILES	The data CD has no files that can be played back.	Load a disc that contains playable files.
NO NAME	There is no artist data or no file data that can be displayed.	Only 7-bit ASCII-compatible characters can be displayed as text information.
NO TITLE	There is no title data that can be displayed.	Only 7-bit ASCII-compatible characters can be displayed as text information.
OPEN	The disc tray is open.	
TOC READ	TOC information is being read.	

## Warning messages

If an operation cannot be completed, one of the following messages will appear for about two seconds and then disappear.

Message	Meaning	Response
NO PGM	No program has been created.	Add tracks to the program.
PGM FULL	No more tracks can be added to the program.	A program can contain a maximum of 99 tracks. Clear tracks from the program and try again.

## Error messages

If one of the following error messages is shown, please refer to the Response column and try to resolve it. If these measures do not solve the problem, please contact the store where you purchased this unit or TASCAM customer support service.

Message	Meaning	Response
COMM ERR (Blinking)	Cannot communicate with the CD drive.	Contact the nearest retailer or TASCAM representative.
COMM ERR	An error occurred during communication with the CD drive.	Contact the nearest retailer or TASCAM representative.
DEC ERR	The file type is not supported or otherwise could not be played.	Change the data CD.
DISC ERR	The TOC or file system could not be read, or focus adjustment was not possible.	Clean or change the disc.
DRV ERR	The CD drive hardware is broken.	Contact the nearest retailer or TASCAM representative.
READ ERR	The song cannot be accessed.	Clean or change the disc.

# 7 – Troubleshooting

If you are having trouble with the operation of this unit, please try the following before seeking repair.

If these measures do not solve the problem, please contact the store where you purchased this unit or TASCAM customer support service.

## ■ No power

- ➔ Is the unit's power plug completely inserted into a working power outlet?

## ■ Remote control doesn't work.

- ➔ Check to see if the batteries are properly installed in the remote control.
- ➔ If the batteries are dead, change the batteries.

## ■ No sound

- ➔ Check the connection to the monitor system again.
- ➔ Check the volume and settings of the amplifier.

## ■ There is unwanted noise.

- ➔ Are the connecting cables all properly connected and functioning?

## ■ A CD cannot be played back.

- ➔ If you are using a data CD with MP3 or MP2 files, confirm that their bit rates are compatible with this unit.
- ➔ Is the disc scratched or dirty?

## ■ I cannot play back all the files on a data CD.

- ➔ Is the folder playback function on?

## ■ I cannot use program playback.

- ➔ Is the folder playback function off (ALL appears in the folder number area on the display)?  
When using a data CD, the folder playback function must be on to use program playback (folder number appears in the folder number area on the display).

## ■ The audio skips or there is noise.

- ➔ The sound might be disrupted if any apps on the iPod or iPhone are active other than the music playback app. In this case, stop the operation of apps other than the music playback app.

## ■ The iPod or iPhone cannot be connected to the iPod dock.

- ➔ Confirm that the correct dock adapter has been inserted into this unit's iPod dock.
- ➔ Confirm that no debris or dust is stuck to this unit's iPod dock and then try to connect the iPod or iPhone again.

## ■ The iPod or iPhone cannot be controlled.

- ➔ Is the iPod or iPhone connected correctly with the unit's dock connector?
- ➔ Is the unit's power plug completely inserted into a working power outlet?
- ➔ Is the current source set to **-DOCK-**?
- ➔ Unlock the HOLD switch on the iPod or iPhone.
- ➔ Remove the iPod or iPhone from the iPod dock once and then wait a moment before reconnecting the iPod or iPhone.
- ➔ Updating the iPod or iPhone software frequently resolves problems. Please visit Apple's website and check for the latest information.

## ■ No sound from the iPod or iPhone

- ➔ Is the iPod or iPhone playing?
- ➔ Is the iPod or iPhone connected correctly with the unit's dock connector?
- ➔ Is the unit's power plug completely inserted into a working power outlet?

# 8 – Specifications

---

## Ratings

---

### Supported disc types

CD, CD-R and CD-RW discs

(including 12cm, 8cm and multisession discs and discs with CD text)

### Playback file formats

CD-DA: 44.1kHz, 16-bit stereo

MP2: 32/44.1/48kHz, 32–384kbps (data CDs)

MP3: 32/44.1/48kHz, 32–320kbps, VBR (data CDs)

WAV: 8/16/32/11.025/22.05/44.1/12/24/48kHz, 16-bit  
(data CDs)

---

## Input and output ratings

---

### Analog audio input

#### AUX IN jack

Connector: 3.5mm stereo mini jack

Reference input level: –20 dBV

Maximum input level: –4 dBV

Input impedance: 22 k $\Omega$

---

### Analog audio output ratings

#### ANALOG OUTPUT (UNBALANCED)

Connector: RCA pin jack

Output Impedance: 200  $\Omega$

Reference Output Level: –10 dBV

Maximum Output Level: +6 dBV

#### PHONES output

Connector: 6.3 mm (1/4") Stereo Phone Jack

Maximum Output Level: 20 mW + 20 mW  
(THD+N 1% or less, into 32 $\Omega$  load)

---

### Digital audio output ratings

#### DIGITAL OUTPUT (COAXIAL)

Connector: RCA Pin Jack

Output impedance: 75  $\Omega$

Compatible Signal Format: Compliant with IEC-60958-3 standard for consumer applications (S/PDIF)

#### DIGITAL OUTPUT (OPTICAL)

Connector: TOS (JEITA RC-5720C)

Compatible Signal Format: Compliant with IEC-60958-3 standard for consumer applications (S/PDIF)

---

## Audio performance

---

### Frequency Response

20 Hz - 20 kHz  $\pm$ 1.0 dB (during playback, JEITA)

### Signal-to-Noise Ratio (S/N)

More than 90 dB (during playback, JEITA)

### Total Harmonic Distortion

Less than 0.01% (during playback, JEITA)

### Dynamic Range

More than 90 dB (during playback, JEITA)

### Channel Separation

More than 90 dB (during playback, JEITA)

---

## Backup memory

---

The following settings are backed up even when the unit power is turned off.

- Time and title display settings (CD)
- Playback mode (CD)
- Program (when CD loaded)
- Current folder (when data CD loaded)
- Current source
- Repeat playback function setting (ON/OFF)
- Pitch control ON/OFF (CD)
- Pitch control value (CD)

---

## General

---

### Power Requirement

AC 120 V, 60 Hz (U.S.A./Canada)

AC 230 V, 50 Hz (U.K./Europe)

AC 240 V, 50 Hz (Australia)

### Power Consumption

15 W

### Dimensions (W x H x D)

481 x 94.5 x 298 (mm) / 18.94 x 3.72 x 11.73 (in)

### Weight

5.2 kg (11.5 lb)

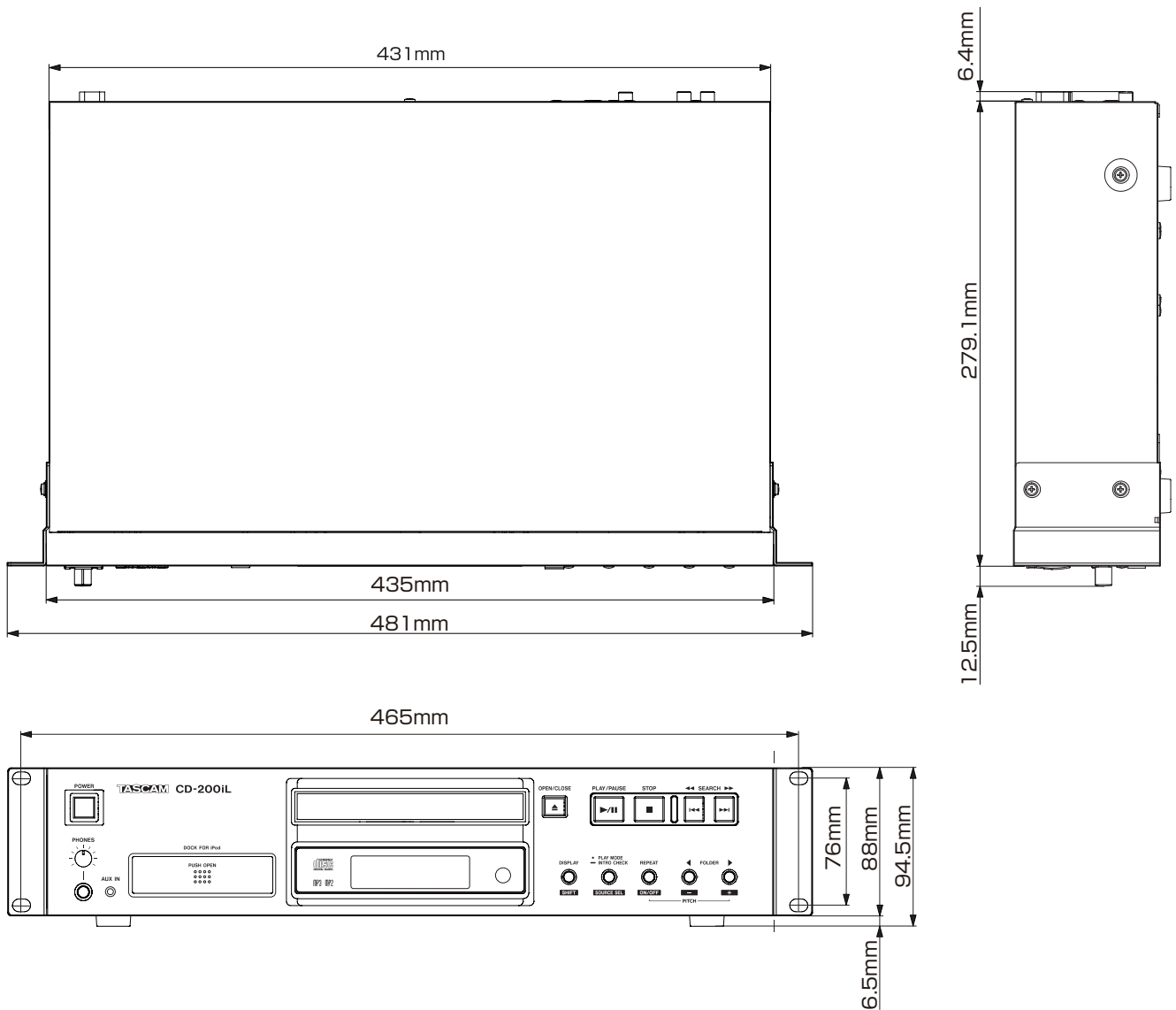
### Operating Temperature

5 to 35°C

### Inclination of installation

5° or less

## Dimensions



- Illustrations and other depictions may differ in part from the actual product.
- Specifications and external appearance may be changed without notification to improve the product.

# TASCAM

# CD-200iL

## TEAC CORPORATION

Phone: +81-42-356-9143

1-47 Ochiai, Tama-shi, Tokyo 206-8530 Japan

<https://tascam.jp/jp/>

---

## TEAC AMERICA, INC.

Phone: +1-323-726-0303

10410 Pioneer Blvd. Suite #1 and #4, Santa Fe Springs, California 90670, U.S.A.

<https://tascam.com/us/>

---

## TEAC UK Ltd.

Phone: +44-1923-797205

Meridien House, 69-71 Clarendon Road, Watford, Herts, WD17 1DS, United Kingdom

<https://tascam.eu/>

---

## TEAC EUROPE GmbH

Phone: +49-611-71580

Bahnstrasse 12, 65205 Wiesbaden-Erbenheim, Germany

<https://tascam.de/>

---

## TEAC SALES & TRADING(SHENZHEN) CO., LTD

Phone: +86-755-88311561~2

Room 817, Block A, Hailrun Complex, 6021 Shennan Blvd., Futian District, Shenzhen 518040, China

<http://tascam.cn/>