

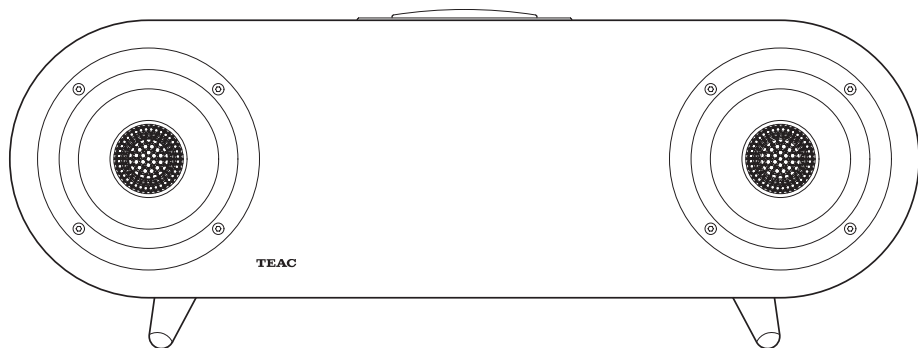
TEAC

OPWSA70TEA02

WS-A70

Network Music System

OWNER'S MANUAL





 Chromecast built-in

 **WiFi**[®]
CERTIFIED



 **Bluetooth**[®]

IMPORTANT SAFETY INSTRUCTIONS

	CAUTION RISK OF ELECTRIC SHOCK DO NOT OPEN	
CAUTION: TO REDUCE THE RISK OF ELECTRIC SHOCK, DO NOT REMOVE COVER (OR BACK). NO USER-SERVICEABLE PARTS INSIDE. REFER SERVICING TO QUALIFIED SERVICE PERSONNEL.		



The lightning flash with arrowhead symbol, within an equilateral triangle, is intended to alert the user to the presence of uninsulated “dangerous voltage” within the product’s enclosure that may be of sufficient magnitude to constitute a risk of electric shock to persons.



The exclamation point within an equilateral triangle is intended to alert the user to the presence of important operating and maintenance (servicing) instructions in the literature accompanying the appliance.

WARNING: TO PREVENT FIRE OR SHOCK HAZARD, DO NOT EXPOSE THIS APPLIANCE TO RAIN OR MOISTURE.

CAUTION

- DO NOT REMOVE THE EXTERNAL CASES OR CABINETS TO EXPOSE THE ELECTRONICS. NO USER SERVICEABLE PARTS ARE INSIDE.
- IF YOU ARE EXPERIENCING PROBLEMS WITH THIS PRODUCT, CONTACT THE STORE WHERE YOU PURCHASED THE UNIT FOR A SERVICE REFERRAL. DO NOT USE THE PRODUCT UNTIL IT HAS BEEN REPAIRED.
- USE OF CONTROLS OR ADJUSTMENTS OR PERFORMANCE OF PROCEDURES OTHER THAN THOSE SPECIFIED HEREIN MAY RESULT IN HAZARDOUS RADIATION EXPOSURE.

- 1) Read these instructions.
 - 2) Keep these instructions.
 - 3) Heed all warnings.
 - 4) Follow all instructions.
 - 5) Do not use this apparatus near water.
 - 6) Clean only with dry cloth.
 - 7) Do not block any ventilation openings. Install in accordance with the manufacturer’s instructions.
 - 8) Do not install near any heat sources such as radiators, heat registers, stoves, or other apparatus (including amplifiers) that produce heat.
 - 9) Do not defeat the safety purpose of the polarized or grounding-type plug. A polarized plug has two blades with one wider than the other. A grounding type plug has two blades and a third grounding prong. The wide blade or the third prong are provided for your safety. If the provided plug does not fit into your outlet, consult an electrician for replacement of the obsolete outlet.
 - 10) Protect the power cord from being walked on or pinched particularly at plugs, convenience receptacles, and the point where they exit from the apparatus.
 - 11) Only use attachments/accessories specified by the manufacturer.
 - 12) Use only with the cart, stand, tripod, bracket, or table specified by the manufacturer, or sold with the apparatus. When a cart is used, use caution when moving the cart/apparatus combination to avoid injury from tip-over.
 - 13) Unplug this apparatus during lightning storms or when unused for long periods of time.
 - 14) Refer all servicing to qualified service personnel. Servicing is required when the apparatus has been damaged in any way, such as power-supply cord or plug is damaged, liquid has been spilled or objects have fallen into the apparatus, the apparatus has been exposed to rain or moisture, does not operate normally, or has been dropped.
- The apparatus draws nominal non-operating power from the AC outlet with its POWER or STANDBY/ON switch not in the ON position.
 - The mains plug is used as the disconnect device; the disconnect device shall remain readily operable.



CAUTION

- Do not expose this apparatus to drips or splashes.
- Do not place any objects filled with liquids, such as vases, on the apparatus.
- Do not install this apparatus in a confined space such as a book case or similar unit.
- The apparatus should be located close enough to the AC outlet so that you can easily reach the power cord plug at any time.

For European Customers

Disposal of electrical and electronic equipment and batteries and/or accumulators

- All electrical/electronic equipment and waste batteries/accumulators should be disposed of separately from the municipal waste stream via collection facilities designated by the government or local authorities.
- By disposing of electrical/electronic equipment and waste batteries/accumulators correctly, you will help save valuable resources and prevent any potential negative effects on human health and the environment.
- Improper disposal of waste electrical/electronic equipment and batteries/accumulators can have serious effects on the environment and human health because of the presence of hazardous substances in the equipment.

- The Waste Electrical and Electronic Equipment (WEEE) symbols, which show wheeled bins that have been crossed out, indicate that electrical/electronic equipment and batteries/accumulators must be collected and disposed of separately from household waste.



If a battery or accumulator contains more than the specified values of lead (Pb), mercury (Hg), and/or cadmium (Cd) as defined in the Battery Directive (2006/66/EC), then the chemical symbols for those elements will be indicated beneath the WEEE symbol.



- Return and collection systems are available to end users. For more detailed information about the disposal of old electrical/electronic equipment and waste batteries/accumulators, please contact your city office, waste disposal service or the shop where you purchased the equipment.

Wireless equipment precautions

Compliance of radio transmitter and interference

Model for EEA (European Economic Area)

This product has the function of broadband transmitter using 2.4GHz and 5.0GHz Bands.



Hereby, TEAC Corporation declares that the radio equipment type is in compliance with Directive 2014/53/EU, and the other Directives, and Commission Regulations.

The full text of the EU declaration of conformity is available at the following internet address. Please contact us by e-mail.

<http://www.teac-audio.eu/en/>

TEAC Corporation

1-47 Ochiai, Tama-shi, Tokyo, 206-8530, Japan

CAUTION

Authorization of wireless devices are different in countries or regions. Please use only in the country where you purchased the product.

- Depending on the country, restrictions on the use of Bluetooth wireless technology might exist.

Confirm the laws and regulations of the country or region where you want to use the unit before use.

Radiation Exposure requirements

This equipment meets the regulation, which is recognized internationally, for the case of human exposure to radio waves generated by the transmitter.

Statement of compliance

Model for EEA (European Economic Area)

This equipment complies with EN.62311; Assessment of electronic and electrical equipment related to human exposure restrictions for electromagnetic fields; the harmonised standard of DIRECTIVE 2014/53/EU.

CAUTION

Changes or modifications not expressly approved by the party responsible for compliance could void the user's authority to operate the equipment.

Thank you for choosing TEAC.
Read this manual carefully to get the best performance from this unit. After reading it, keep it in a safe place for future reference.

IMPORTANT SAFETY INSTRUCTIONS	2	INFORMATION	26
Wireless equipment precautions	4	RESET	26
Included items	6	Troubleshooting	27
Using the TEAC Global Site	6	General	27
Before use	7	Bluetooth function	27
Placement precautions	7	Specifications	28
Maintenance	7	Important Notice Regarding Software	30
Bluetooth® notes	7	Important Notice Regarding Other Third-Party Software	36
Connections	8	WARRANTY/GARANTIE/GARANTÍA/GARANTIE/GARANZIA/ GARANTIE/GARANTI	43
Connecting the wireless LAN antennas	9	Europe/Europa	43
Names and functions of parts	10	In countries/regions other than Europe	43
Basic operation	12		
Turning the main power on	12		
Turning the unit on and putting it into standby	12		
Adjusting the volume	13		
Selecting the input source	13		
Automatic power saving function	14		
Display	14		
Capabilities of this unit	15		
Using as a Bluetooth speaker	16		
Pairing (initial setup)	16		
Playback from a Bluetooth device	17		
Preparations	18		
Installing TEAC HR AirCast	18		
Connecting to a network	18		
Using as an AirPlay speaker	21		
Listening to audio from digital playback devices (DIGITAL IN)	21		
Listening to audio from analog playback devices (LINE IN)	22		
Settings	23		
SLEEP	24		
DIMMER	24		
APS (automatic power saving function)	24		
PS-MODE (power saving mode)	25		
BASS EQ (bass equalizer)	25		
Wi-Fi CONF (Wi-Fi setting)	25		
PAIRING	25		

“DSD” is a registered trademark.

The Bluetooth® word mark and logos are registered trademarks owned by Bluetooth SIG, Inc. and any use of such marks by TEAC CORPORATION is under license.

Wi-Fi, Wi-Fi Protected Access® (WPA), the Wi-Fi logo and Wi-Fi Alliance are registered trademark of Wi-Fi Alliance. Wi-Fi CERTIFIED and Wi-Fi Protected Setup are trademark of Wi-Fi Alliance.

Android, Google Play, Google Play logo, Chromecast built-in and Chromebook are trademarks of Google Inc.

Apple, AirPlay, the AirPlay logo, iPad, iPhone, iPod touch and Mac are trademarks of Apple Inc., registered in the U.S. and other countries. App Store is a service mark of Apple Inc.

IOS is a trademark or registered trademark of Cisco in the U.S. and other countries and is used under license.

Other company names, product names and logos in this document are the trademarks or registered trademarks of their respective owners.

Information about copyrights and licensing related to open-source software is provided in the “Important Notice Regarding Software” at the end of this document.

Included items

Check to be sure the box contains all the included items shown below.

Please contact the store where you purchased this unit if any of these items are missing or have been damaged during transportation.

- Power cord × 1
- Wireless LAN antennas × 2
- Grille × 1
- Owner's manual (this document) × 1
 - See page 43 for warranty information.
- Quick start guide × 1

ATTENTION

The grille is attached using powerful magnets. When attaching or removing a grille, be careful not to let a finger become caught between the cabinet and the grille.

Using the TEAC Global Site

You can download updates for this unit from the TEAC Global Site: <http://teac-global.com/>

- 1 Open the TEAC Global Site.**
 - 2 In the TEAC Downloads section, click the desired language to open the Downloads website page for that language.**
- NOTE**
- If the desired language does not appear, click Other Languages.
- 3 Click the product name in the “Products” section.**
 - 4 Select and download the updates that are needed.**

Before use

Placement precautions

- Do not install this unit in a location that could become hot. This includes places that are exposed to direct sunlight or near a radiator, heater, stove or other heating equipment. Moreover, do not place it on top of an amplifier or other equipment that generates heat. Doing so could cause discoloration, deformation or malfunction.
- When installing this unit, leave a little space (at least 20 cm or 11") between it and walls and other devices in order to allow good heat dissipation. Failure to provide these gaps could cause heat to build up inside and result in fire.
- Do not strike the enclosure (cabinet) or front grill with hard objects. Doing so could cause scratching or damage the speakers.
- Avoid contact with rubber and vinyl for long periods of time, because it could damage the surface.
- This product has been designed to minimize magnetic effects, but you should not place cards, tapes and discs that use magnetic recording or other items that are easily affected by magnetic force on top of it. Failure to do so could result in data loss or damage.

Maintenance

The enclosure is made of natural wood, so exposure to moisture could cause harm and should be avoided. Wipe with a dry cloth.



For your safety, disconnect the power cord from the outlet before cleaning.

Bluetooth® notes

When using this unit with a mobile phone or other Bluetooth devices, they should be no more than about 10 m (33 ft) apart.

Depending on the circumstances of use, however, the effective transmission distance might be shorter.

Wireless communication with every device that supports Bluetooth wireless technology is not guaranteed.

To determine the compatibility between this unit and another device that supports Bluetooth wireless technology, refer to that device's operation manual or contact the shop where you purchased it.

Profiles

This unit supports the following Bluetooth profiles.

- A2DP (Advanced Audio Distribution Profile)
- AVRCP (Audio/Video Remote Control Profile)

In order to transfer audio using Bluetooth wireless transmission, the Bluetooth device must support A2DP.

In order to control playback on the Bluetooth device, it must support AVRCP.

Even if a Bluetooth device supports the same profiles, though, its functions might differ according to its specifications.

Transmission security

This unit supports security functions during Bluetooth wireless transmission in accordance with the Bluetooth standard specifications, but it does not guarantee the privacy of such transmissions.

TEAC CORPORATION will bear no responsibility should an information leak occur during Bluetooth wireless transmission.

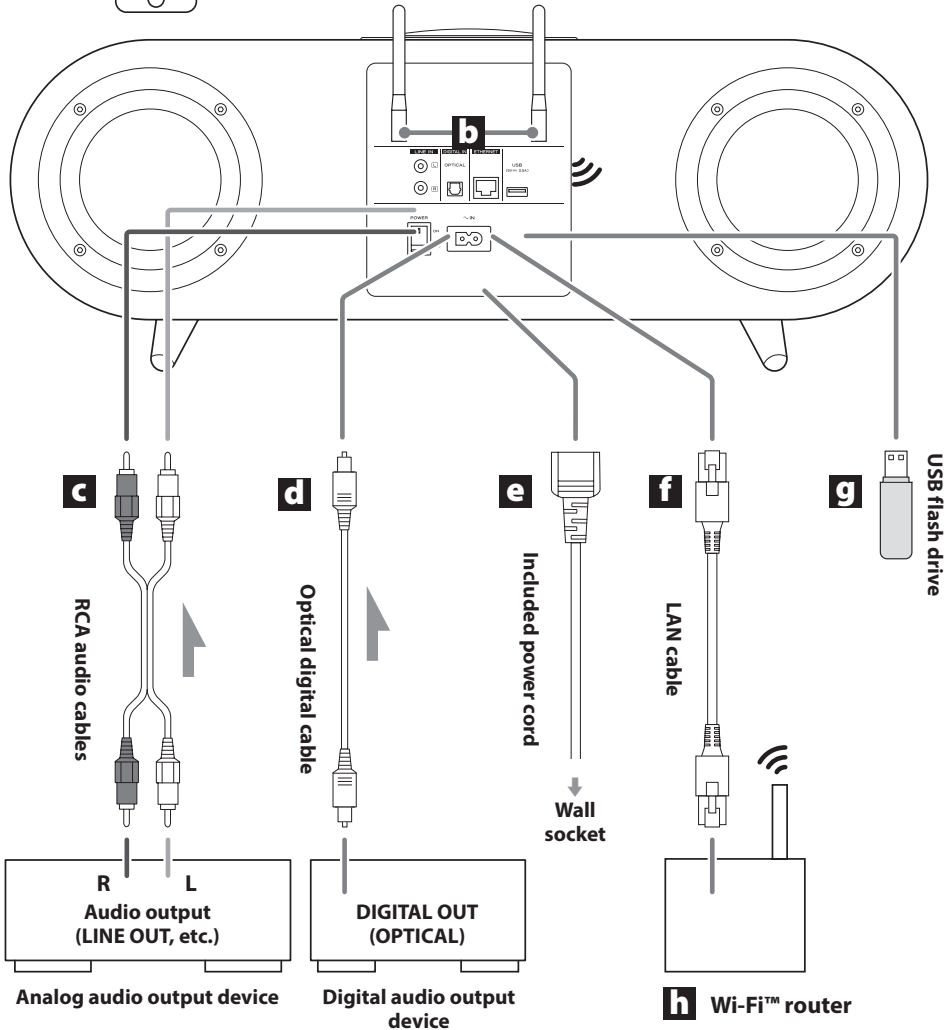
Connections

a Android smartphone, iPhone, etc.



Complete all other connections before turning the unit on.

- Carefully read the manuals of the devices that you are connecting and follow their instructions when making connections.
- Do not bundle connecting cables with power cords. Doing so could cause noise.
- Connect all plugs completely.



a Android smartphone, iPhone, etc.

Install the app to control this unit.

b Wireless LAN antenna connectors and LAN antennas

Connect the included wireless LAN antennas.

c Analog audio input (LINE IN) connectors

Connect an analog audio output device.

Use commercially-available RCA audio cables for connections.

Connect this unit's R input connector to the R output connector of the audio output device, and this unit's L input connector to the L output connector of the other device.

RCA audio cables



d Digital audio input (DIGITAL IN) connector

Connect a digital audio output device.

Use a commercially-available optical digital cable with rectangular connectors for connection.

e Power inlet (~IN)

Connect the supplied power cord here.
After all other connections are complete, connect the power cord's plug to a wall outlet.



Do not use any power cord other than the one included with this unit. Use of other power cords could result in fire or electric shock.



Unplug the cord from the outlet when not using the unit for a long time.

f ETHERNET port

Connect a LAN cable to this port when you want to this unit to a network with a wired connection.

Use a commercially-available LAN cable for connection.

- When a LAN cable is connected, this unit's wireless LAN function (Wi-Fi) will be disabled.

g USB port

Connect USB flash drives here.

- Install the dedicated app onto a smartphone or tablet in advance, and use it to work with this device.

h Wi-Fi™ router

Connect this unit, media servers, smart phones and other devices to a router and create a network.

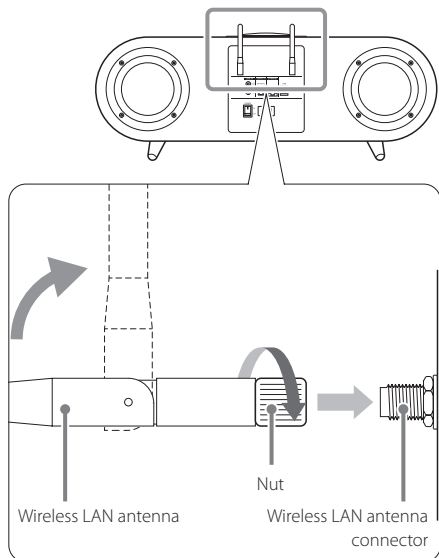
Connecting the wireless LAN antennas

Follow these procedures to connect each of the two included antennas.

- 1** Insert the antenna into an antenna connector.
- 2** Turn the antenna nut to secure it in the antenna connector.
- 3** Raise the antenna.

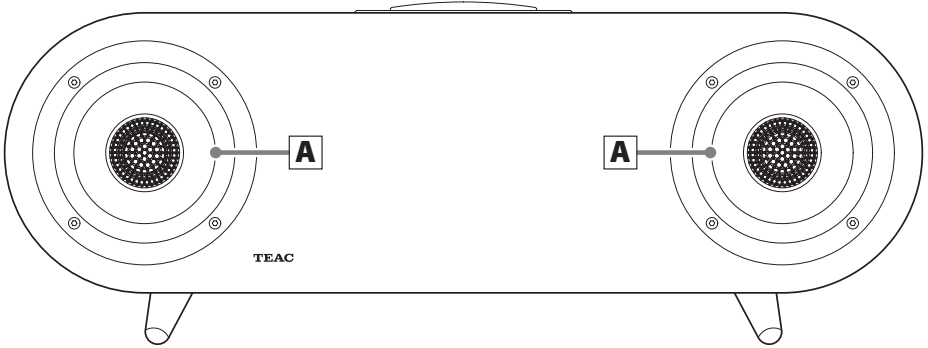
ATTENTION

- Be careful of the direction that you bend the antennas.
The antennas only bend in one direction. Do not forcibly bend the antennas.

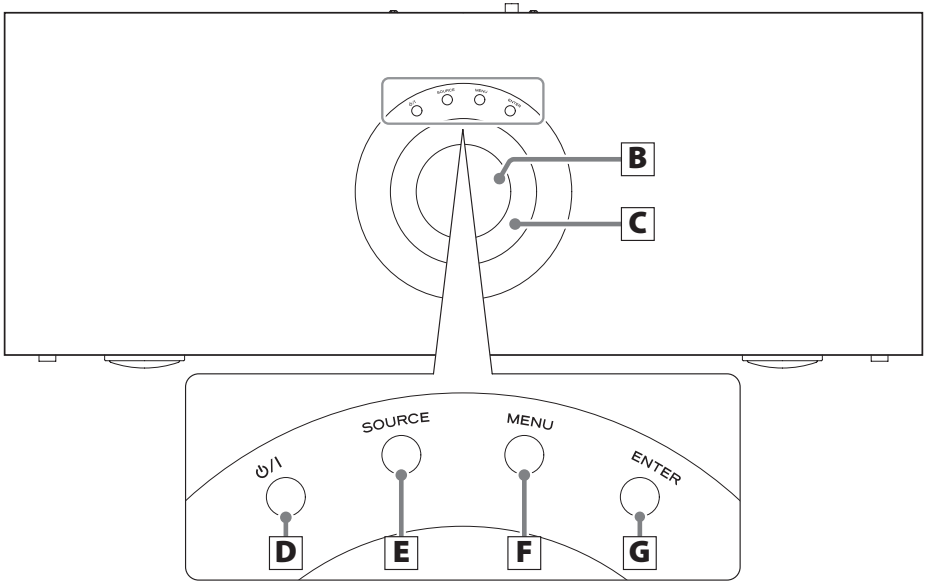


Names and functions of parts

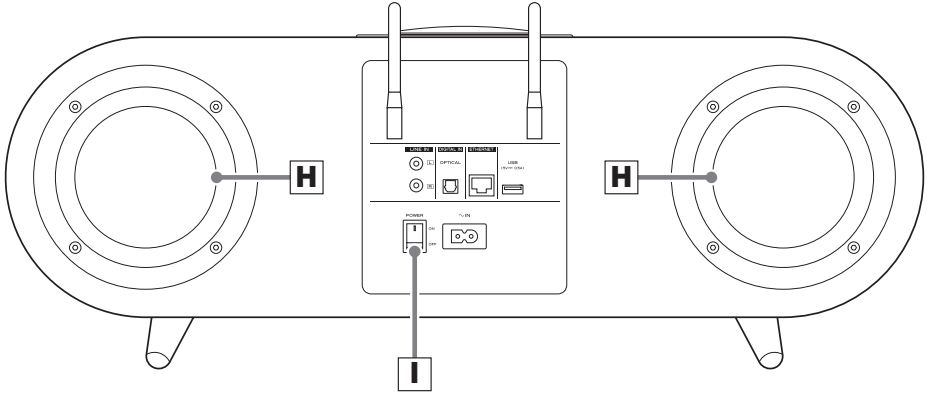
Front



Top



Rear



A Coaxial two-way speakers

These coaxial two-way units provide an excellent sense of stereo positioning.

B Display

This shows the volume, input source and menu.

C Control Dial

Use to adjust the volume. Turn clockwise to increase the volume. Turn counterclockwise to decrease the volume.

In addition, use it in various setting operations.

D STANDBY/ON button (⏻/⏻)

Press to put the unit into standby mode or turn it on (page 12).

When on, the ring around the Control Dial lights.

E SOURCE button

Use to select the input source (page 13).

F MENU button

Use to make various settings (page 23).

G ENTER button

Press to confirm the selected item.

H Passive radiators

These primarily amplify low frequencies.

Since these move backward and forward, make sure that no cables or other objects touch them.

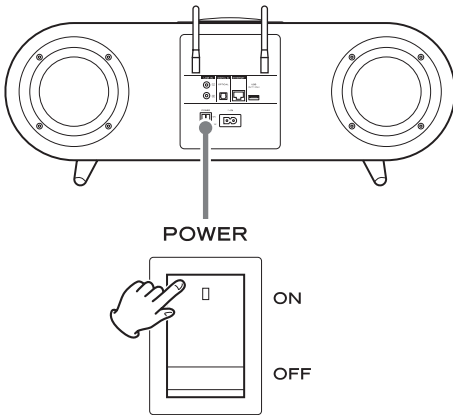
I Main POWER switch

Use to turn the unit on and off.

- If this main POWER switch is not on, pressing the standby/on (⏻/⏻) button will not turn the unit on.

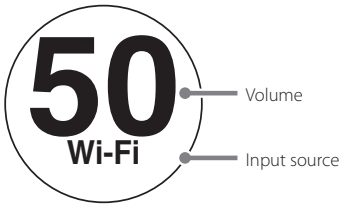
Basic operation

Turning the main power on



When the main POWER switch is set to ON, a progress bar will appear on the display and the unit will start up. Do not press any other buttons until the unit complete starting up. The Home Screen shown below appears after the unit starts up.

Display example



ATTENTION

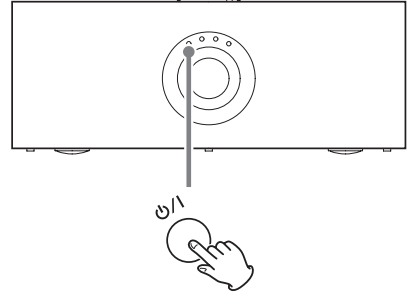
The volume will be set to 50 immediately after the main POWER switch is set to ON.

NOTE

After turning the main power on immediately after purchase or after resetting the unit to its defaults, "Wi-Fi" will appear blinking on the display. If connected to a network using a LAN cable, however, "ETHERNET" will appear as the input source.

Turning the unit on and putting it into standby

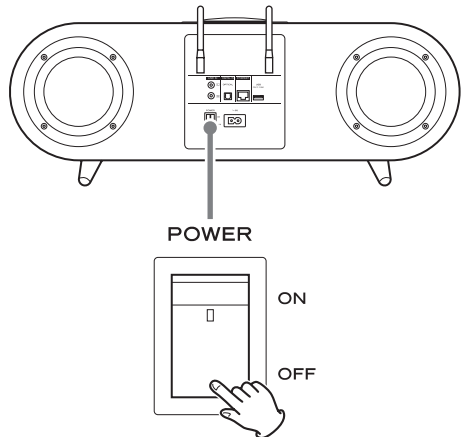
When the unit is on, press the standby/on (⏻/⏻) button to put it into standby. Press it once more to turn it on again.



- When the unit is in standby, starting playback from an app will automatically turn it on.

NOTE

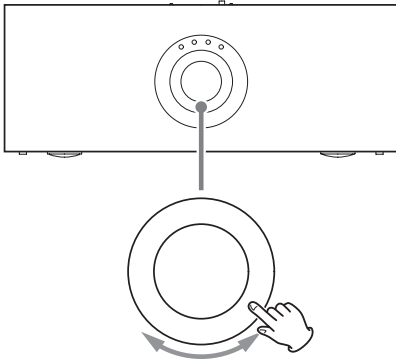
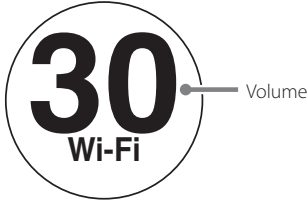
The unit consumes standby power when in standby mode. To eliminate standby power consumption, set the main POWER switch on the rear panel to OFF.



Adjusting the volume

Turn the Control Dial when the Home Screen is open.

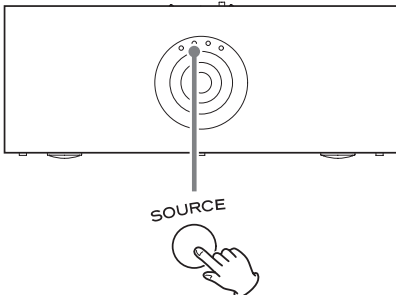
Display example



Turn it clockwise to increase the volume. Turn it counterclockwise to decrease the volume. The minimum volume is 00, and the maximum is 99.

Selecting the input source

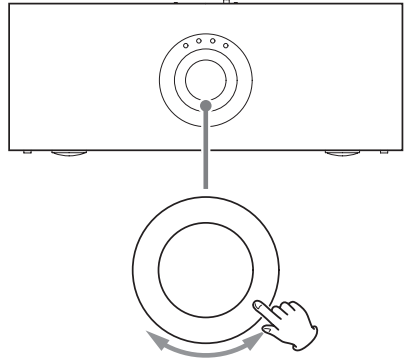
1 Press the SOURCE button.



The display changes to show input source selection.



2 Turn the Control Dial to change the input source shown in the middle of the display.



Turn the Control Dial clockwise to change the input source in the following order.

DIGITAL IN
↓
LINE IN

- Turn the Control Dial counterclockwise to change the input source in reverse order.
- If no operation is taken and the input source is not changed for one minute, the Home Screen will reopen.

DIGITAL IN

Select this to use the digital audio input on the rear of the unit.

LINE IN

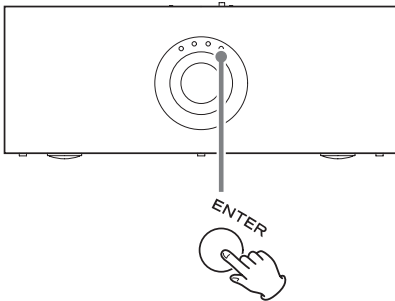
Select this to use the analog audio inputs on the rear of the unit.

NOTE

When using Wi-Fi, Ethernet, Bluetooth or a USB flash drive attached to the rear of the unit, the input source will be changed automatically when a playback operation is conducted with an app.

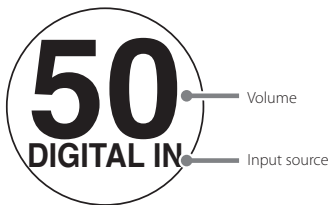
Basic operation (continued)

- 3 Press the ENTER button to confirm the input source.



- After showing the confirmed source for a few seconds on the display, the Home Screen will automatically reappear.

Display example



- Press the SOURCE button before pressing the ENTER button to cancel input source selection.

4 Start playback.

See "Capabilities of this unit" on page 15 for information about playback operations.

CAUTION

Minimize the volume before starting playback and gradually increase it whenever you change the input source and immediately after turning the power on by pressing the main POWER switch or the standby/on (⏻/|) button.

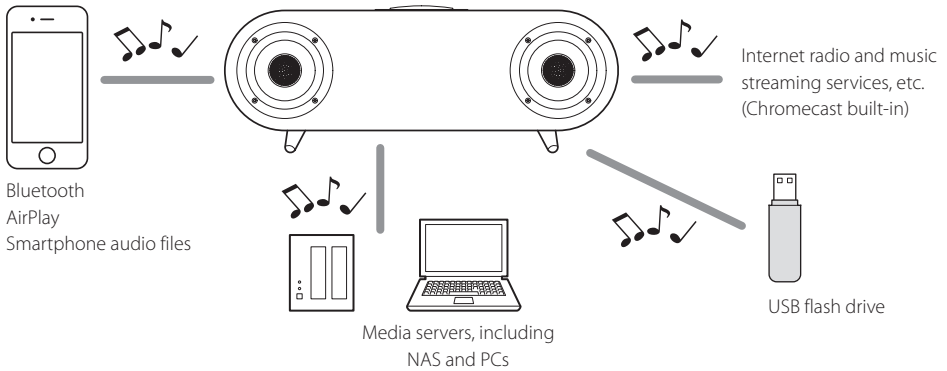
Automatic power saving function

When the unit is on, it will automatically enter standby mode if it is not used for a certain amount of time. See "APS (automatic power saving function)" in "Settings" for details (page 24).

Display

The display of this unit will automatically dim after a certain amount of time to prevent screen burn-in. See "DIMMER" in "Settings" for details (page 24).

Capabilities of this unit



Using as a Bluetooth speaker (page 16)

Using as an AirPlay speaker¹ (page 21)

Listening to audio files on smartphones and tablets^{1,2}

Listening to audio files on media servers, including NAS and PCs^{1,2}

Listening to audio files on USB flash drives^{1,2}

Listening to Internet radio and music streaming services, etc. (Chromecast built-in)^{1,3}

Listening to audio from digital playback devices (DIGITAL IN)⁴ (page 21)

Listening to audio from analog playback devices (LINE IN)⁵ (page 22)

Support information

For detailed operation procedures using smart phones and tablets, see the Network Application Manual. The Network Application Manual can be downloaded from the following TEAC website.

<http://teac-global.com/>



Notes about Chromecast built-in

Chromecast built-in is a platform that lets you stream your favorite music from your phone, tablet or laptop right to your speakers.

Easily control your speakers with apps you already know and love from your iPhone, iPad, Android phone or tablet, Mac or Windows laptop, or Chromebook.

¹ This unit must be connected to a network.

² Install the dedicated TEAC HR AirCast app on the smartphone or tablet.

³ The network being used must be connected to the Internet.

⁴ CD players, digital audio players and other devices with optical digital audio outputs.

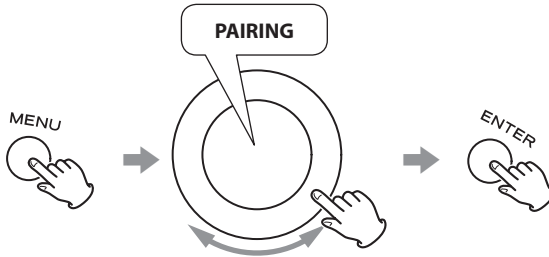
⁵ Televisions, record players with built-in phono amps (line outputs) and other devices with analog audio output.

Using as a Bluetooth speaker

Pairing (initial setup)

- Pairing this unit with another Bluetooth device is necessary the first time it is used and when connecting to a different Bluetooth device for the first time.
- When pairing with another Bluetooth device, they should be within a few meters of each other. If they are too far apart, pairing and connection afterwards might become impossible.
- For details, refer to the operation manual of that Bluetooth device.

1 Press the MENU button, and select PAIRING.



Pairing becomes possible when PAIRING blinks on the display.

2 Turn on the Bluetooth function of the smartphone or other device.

Example with Android

Open Settings > Bluetooth, and turn Bluetooth on.

Example with iPhone

Open Settings > Bluetooth, and turn Bluetooth on.

3 Select this WS-A70 unit from the device list on the smartphone or other device.

Example with Android

After opening Settings > Bluetooth, select "WS-A70 xxxxx" from the "Available Devices" list.

Example with iPhone

After opening Settings > Bluetooth, select "WS-A70 xxxxx" from the "Devices" list.

After pairing completes, "Bluetooth" will appear at the bottom of the display.



Confirm the connection with the smartphone or other Bluetooth device.

Example with Android

After opening Settings > Bluetooth, check "Paired Devices".

Example with iPhone

After opening Settings > Bluetooth, check "My Devices".

NOTE

- Complete pairing within five minutes of enabling pairing in **1**.
- If pairing did not complete, repeat the operations from **1**. Please also refer to the operation manual of the Bluetooth device you are using.

Playback from a Bluetooth device

1 Turn on the Bluetooth function of the smartphone or other device and connect to this WS-A70 unit.

Example with Android

Open Settings > Bluetooth, and turn Bluetooth on. Select "WS-A70 xxxxx" from "Paired Devices", and make it "connected".

Example with iPhone

Open Settings > Bluetooth, and turn Bluetooth on. Select "WS-A70 xxxxx" from the "Devices" list, and make it "connected".

After connection completes, "Bluetooth" will appear at the bottom of the display.



NOTE

- Connecting with a Bluetooth device will automatically switch the input source of this unit to Bluetooth.
- If connection is not complete, try pairing again or turning the main POWER switch on this unit OFF and ON again.
Please also refer to the operation manual of the Bluetooth device you are using.

2 Playing back from smartphones and other Bluetooth devices

For playback procedures, refer to the operation manual of that Bluetooth device.

Preparations

Installing TEAC HR AirCast

The dedicated TEAC HR AirCast allows you to use smartphones as remote controls for this unit. Search for TEAC HR AirCast on Google Play or the App Store, or access one of the addresses below, and install the app.



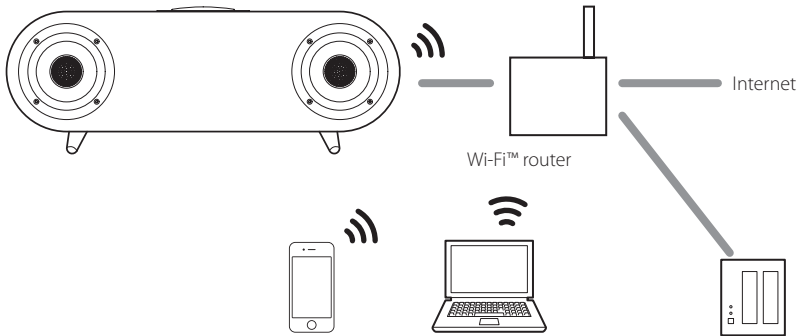
<https://play.google.com/store/apps/details?id=com.teac.teachircast>



<https://itunes.apple.com/us/app/teac-hr-aircast/id1204063749?l=ja&ls=1&mt=8>



Connecting to a network



By connecting this unit to a network, you can enjoy music from a media server and listen to Internet radio. There are several ways to connect to a network as shown below.

A) Use “SET UP NEW AIRPLAY SPEAKER” for an iPhone or other iOS device (page 19)

This method is simple when using an iPhone.

B) Use the Google Home app

Select this method when using an Android smartphone, for example. For details, refer to the Network Application Manual.

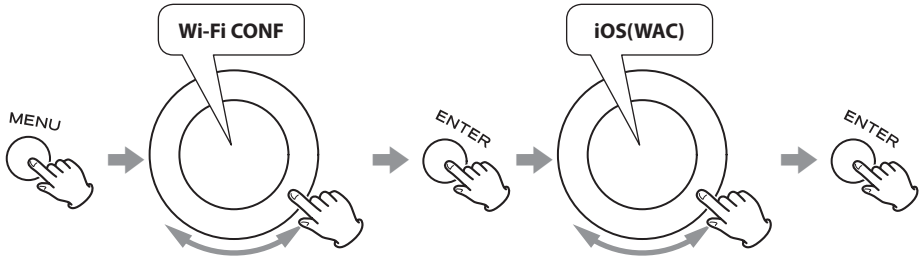
C) Use a LAN cable to connect (page 20)

Wired connections enable stable network connections because they are not affected by electromagnetic wave conditions.

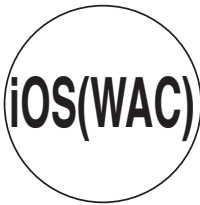
A) Use “SET UP NEW AIRPLAY SPEAKER” for an iPhone or other iOS device

1 Turn this unit on.

2 Press the MENU button, and select “Wi-Fi CONF” > “iOS(WAC)”.



When “iOS(WAC)” appears on the display, the unit is ready for connection.



3 On the iPhone or other iOS device, open “Settings” > “Wi-Fi”.

Swipe up, and select “WS-A70xxxxx” under “SET UP NEW AIRPLAY SPEAKER”. Then, follow the instructions that are shown on the device to complete connection setup.

After connection completes, “Wi-Fi” will appear at the bottom of the display.

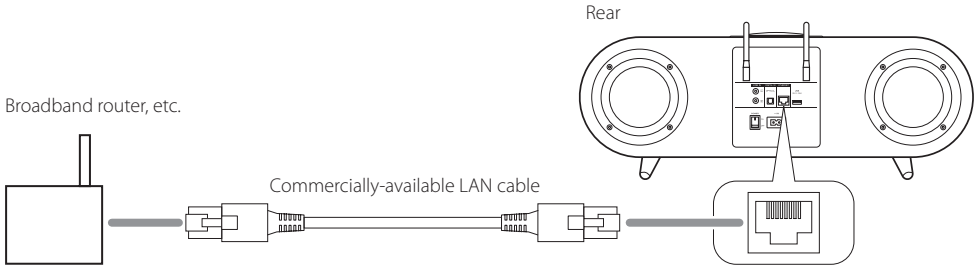


Preparations (continued)

C) Use a LAN cable to connect

1 Set the main POWER switch on this unit to OFF.

2 Connect the LAN cable.



3 Set the main POWER switch on this unit to ON.

After the unit starts up, "ETHERNET" will appear at the bottom of the display.



NOTE

When a LAN cable is connected, this unit's Wi-Fi function will be disabled.

Using as an AirPlay speaker

1 Select this unit as the audio output device on the iPhone or iPod, for example.

Example with iPhone

Swipe up from the bottom of the screen to open the Control Center, and tap the AirPlay icon. Tap "WS-A70 xxxxxx" in the list.

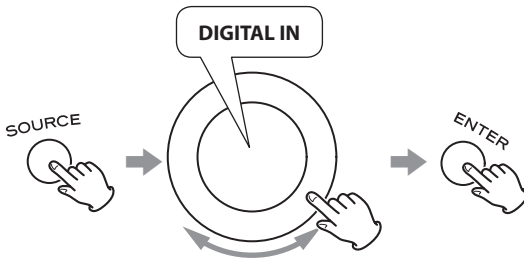
NOTE

When using AirPlay, "Wi-Fi" will appear at the bottom of the display.

2 Play audio using the music app, for example.

Listening to audio from digital playback devices (DIGITAL IN)

1 Press the SOURCE button, and select DIGITAL IN.



"DIGITAL IN" will appear at the bottom of the display.



2 Play audio on the digital playback device.

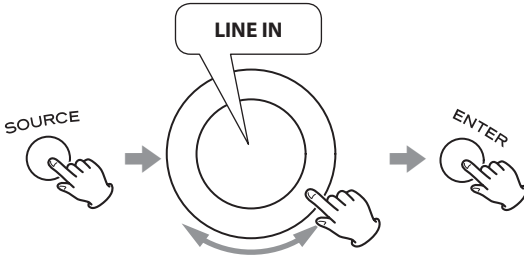
For playback procedures, refer to the operation manual of that device.

ATTENTION

This unit only supports the linear PCM format. Inputting signals in other formats could cause noise or sound output to stop. If this happens, set the output of the device being used to linear PCM. For details, refer to the operation manual of that device.

Listening to audio from analog playback devices (LINE IN)

1 Press the SOURCE button, and select LINE IN.



"LINE IN" will appear at the bottom of the display.



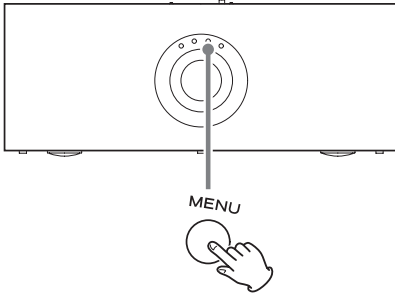
2 Play audio on the analog playback device.

For playback procedures, refer to the operation manual of that device.

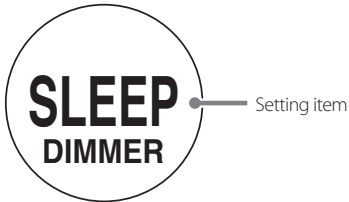
Follow these procedures to change the settings of this unit.

- Settings are retained even when the unit is in standby mode or the main POWER switch is set OFF.

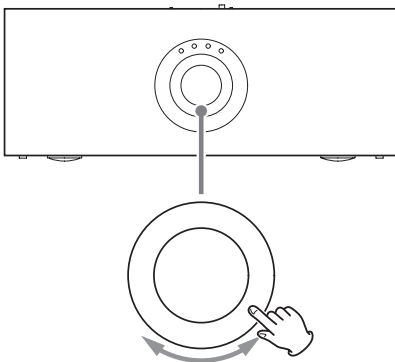
1 Press the MENU button to open the menu screen.



Display example



2 Turn the Control Dial until the item to set is shown in the middle of the display.

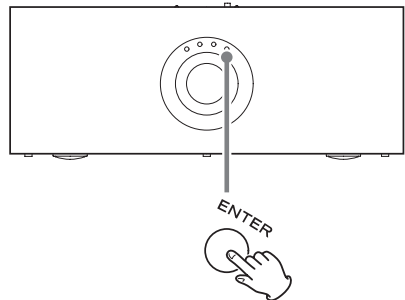


Turn the Control Dial clockwise to change the input source in the following order.

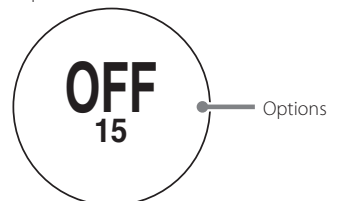
SLEEP
↓
DIMMER
↓
APS
↓
PS-MODE
↓
BASS EQ
↓
Wi-Fi CONF
↓
PAIRING
↓
INFORMATION
↓
RESET

- Turn the Control Dial counterclockwise to change the input source in reverse order.

3 Press the ENTER button to show the options for that setting.



Display example



Settings (continued)

4 Turn the Control Dial to select the setting value, and press the ENTER button to confirm it.

Press the MENU button to cancel setting and return to the Home Screen.

Details about each setting follow below.

SLEEP

This sets the sleep timer.

OFF

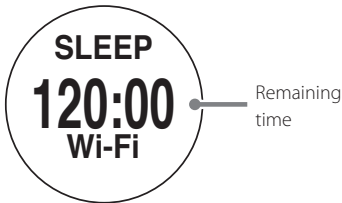
This disables the sleep timer.

15, 30, 45, 60, 90, 120 (minutes)

After the set time passes, the unit will enter standby mode.

When the sleep timer is set, its remaining time will be shown on the Home Screen.

Display example



- To reset the sleep timer, press the MENU button and set the value again.

DIMMER

This sets the brightness of the display.

DIM 3

Normal brightness

DIM 2

Slightly dim

DIM 1

Dim

DIM 0

Even dimmer

NOTE

The display will normally become unlit three minutes after the last operation. When set to DIM 0, however, it will become unlit after three seconds.

APS (automatic power saving function)

The unit can be set to automatically enter standby mode when not used for 20 minutes.

OFF

Automatic power saving disabled

ON

Automatic power saving enabled

NOTE

The unit will automatically enter standby when the following conditions are fulfilled.

- The unit has not been operated for 20 minutes.
- Input source conditions
 - When REMOTE (Wi-Fi, Bluetooth, ETHERNET or USB)**
Playback has been stopped or paused continuously for 20 minutes.
 - When DIGITAL IN**
No audio has been input for 20 minutes.
 - When LINE IN**
No audio has been input for 20 minutes.

PS-MODE (power saving mode)

This sets the power saving mode used when in standby.

PS1

This mode turns the power amp inside the unit off, reducing power consumption during standby.

The unit will turn on when playback starts from a smartphone or tablet or audio is input through the DIGITAL IN or LINE IN connectors.

PS2

This mode turns most of the modules inside the unit off, reducing power consumption during standby even more than PS1. The unit will turn on when playback starts from a smartphone or tablet. The unit will not turn on when audio is input through the DIGITAL IN or LINE IN connectors.

BASS EQ (bass equalizer)

Use to adjust the volume of low frequencies.

FLAT

Low frequencies are not enhanced.

ENHANCED

Low frequencies are enhanced. Use this setting when the volume is low and at other times that low frequencies sound weak.

Wi-Fi CONF (Wi-Fi setting)

This sets the connection of this unit with a Wi-Fi router or other access point.

iOS (WAC)

Use this when using Mac, iPhone or other iOS device functions and connecting the unit to a Wi-Fi access point. See "A) Use "SET UP NEW AIRPLAY SPEAKER" for an iPhone or other iOS device" on page 19 for detailed operation procedures.

PAIRING

Use to set the connection of this unit with a Bluetooth device.

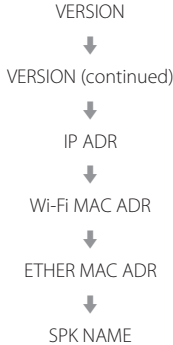
See "Pairing (initial setup)" on page 16 for information about pairing operations.

Settings (continued)

INFORMATION

This shows information about this unit.

Turn the Control Dial clockwise to show items in the following order.



- Turn the Control Dial counterclockwise to change the items shown in reverse order.

Details about each type of information follow below.

VERSION

This is the firmware version used by the unit.

SYS: main firmware version

N: network module firmware version

CAST: Chromecast built-in module firmware version

IP ADR

IP address

Wi-Fi MAC ADR

This is the Wi-Fi Mac address.

ETHER MAC ADR

This is the Ethernet Mac address.

SPK NAME

This is the name of the speaker as set using the app.

RESET

This restores all the unit settings to their factory defaults.

- 1** When **RESET** is shown, press the **ENTER** button.
- 2** When **SURE?** appears, press the **ENTER** button.



(This message confirms that you really want to reset the unit.)

After "Please Wait" appears, resetting will complete and the unit will restart.



(This message asks you to be patient while the operation completes.)

- Press the MENU button to cancel.

ATTENTION

Resetting the unit to its default settings will reset all settings, including Wi-Fi connection settings and Bluetooth pairings.

Make these settings again as necessary.

If you experience a problem with the unit, please take a moment to review the following information before requesting service. If it still does not operate correctly, contact the retailer where you purchased the unit.

General

The unit does not turn on.

- ➔ Check that the power cord is completely plugged into the power outlet. If the outlet is switched, confirm that the switch is in the ON position.
- ➔ Confirm that the main POWER switch on the rear of the unit is set to ON (page 11).
- ➔ Connect a different electrical device to the outlet to confirm that it is supplying power.
- ➔ If the automatic power saving function has caused the unit to enter standby, press the STANDBY/ON (⏻/I) button to turn the unit on again.

No sound is output.

- ➔ Turn the Control Dial to adjust the volume. Turn it clockwise (right) to increase the volume (page 13).
- ➔ Use the SOURCE button to select the source that you want to hear.
- ➔ Reconfirm the connections with other equipment.

There is a humming noise.

- ➔ If a connecting cable is near a power cord, fluorescent light or similar cause of interference, increase the distance between them as much as possible.

Sound output suddenly stopped.

- ➔ Heat might have caused the protection circuit to activate.
Set the main POWER switch to OFF, and wait several minutes before setting it to ON again.

Bluetooth function

Cannot change connected Bluetooth device.

- ➔ This unit cannot have Bluetooth connections to multiple Bluetooth devices at the same time.
To change the device connected with this unit by Bluetooth, end the connection with the currently connected Bluetooth device before connecting to another Bluetooth device.

Since this unit uses a microcontroller, external noise and other interference can cause the unit to malfunction. If this occurs, unplug the power cord, wait for a while, and then turn the unit on again and restart operations.

Specifications

Amplifier section

Maximum output..... 38 W + 38 W (10% distortion, 6 Ω)
Rated output 31 W + 31 W (1% distortion, 6 Ω)

Speaker section

Type..... Passive radiator
Front Two-way coaxial × 2
 Low-frequency 13cm paper cone
 High-frequency..... 2.5cm titanium dome
Rear 13cm passive radiator × 2
Playback frequency range 55 Hz – 45 kHz

Bluetooth section

Bluetooth version..... 4.1
Output Class 2
Supported profiles..... A2DP, AVRCP
Codec..... SBC, AAC

USB section

Compatible USB devices... USB mass storage device class
Interface..... USB 2.0 (High speed)
File systems..... FAT, FAT32, NTFS
USB output voltage..... DC 5 V
USB power supply current 500 mA maximum

Network section

Ethernet..... 100 BASE-T
Wireless LAN specifications IEEE 802.11 a/b/g/n/ac
Frequency bands..... 2.4 GHz, 5 GHz
Security WEP 64/128-bit, WPA, WPA-PSK,
 WPA2, WPA2-PSK, IEEE 802.11i

Music playback formats & protocols

AAC LC, HE-AACv1/v2,
FLAC (up to 192kHz/24-bit),
MP3, Vorbis,
PCM/WAVE (up to 192kHz/24-bit),
ALAC, HTTP/1.1 Audio Transport,
DSD (2.8/5.6 MHz)

Digital audio input

Digital audio input connector. . . OPTICAL (rectangular) × 1
Supported format IEC-60958-3 (S/PDIF)
Supported sampling frequencies
 44.1 kHz, 48 kHz, 88.2 kHz, 96 kHz, 176.4 kHz, 192 kHz
Supported bit depths..... 16/24-bit

Analog audio input

Analog audio input connectors..... RCA × 1 pair (L/R)
Maximum input level 2.0 Vrms
Input impedance 20 kΩ

General

Power supply..... AC 220–240 V, 50/60 Hz
Power consumption..... 35 W
External dimensions (W × H × D, including protrusions)
 590 × 221 × 235 mm (23 1/4" × 8 3/4" × 9 3/8")
Weight 10 kg (22 1/8 lb)

Included accessories

Power cord × 1
Wireless LAN antennas × 2
Grille × 1
Owner's manual (this document) × 1
Quick start guide × 1

- Specifications are appearance are subject to change without notice.
- Weight and dimensions are approximate.
- Illustrations in this Owner's Manual might differ slightly from production models.

Important Notice Regarding Software

The software used in this product includes software that TEAC Corporation (hereafter, "TEAC") has received permission to use from third parties either directly or indirectly. We request that you read the notice about this software without fail.

Notice regarding software that uses the GNU GPL/LGPL

This product includes software covered by the following GNU General Public License (hereafter, "GPL") or GNU Lesser General Public License (hereafter, "LGPL"). In accordance with the attached conditions of the GPL/LGPL, we are informing you that customers have the right to obtain, change and redistribute the source code of this software.

Package list

SACD decoder plugin - LGPL v2
Linux kernel - GPL v2
libgccdemangle.so - GPL v2

If you wish to obtain the source code for this software, you may request it by accessing the following URL and filling out a registration form.

<http://www.teac.co.jp/support/opensource/index.html>

Please understand that we are unable to respond to questions about the source code contents and similar matters.

Notices for Linux kernel:

NOTE! This copyright does *not* cover user programs that use kernel services by normal system calls - this is merely considered normal use of the kernel, and does *not* fall under the heading of "derived work".

Also note that the GPL below is copyrighted by the Free Software Foundation, but the instance of code that it refers to (the linux kernel) is copyrighted by me and others who actually wrote it.

Linus Torvalds

Notices for libgccdemangle.so:

Copyright (C) 1989, 1991 Free Software Foundation, Inc.
51 Franklin Street, Fifth Floor, Boston, MA 02110-1301 USA
Everyone is permitted to copy and distribute verbatim copies of this license document, but changing it is not allowed.

The original texts of the GNU General Public License and GNU Library General Public License are provided below.

GNU LIBRARY GENERAL PUBLIC LICENSE

Version 2, June 1991

Copyright (C) 1991 Free Software Foundation, Inc.

51 Franklin St, Fifth Floor, Boston, MA 02110-1301, USA

Everyone is permitted to copy and distribute verbatim copies of this license document, but changing it is not allowed.

[This is the first released version of the library GPL. It is numbered 2 because it goes with version 2 of the ordinary GPL.]

Preamble

The licenses for most software are designed to take away your freedom to share and change it. By contrast, the GNU General Public Licenses are intended to guarantee your freedom to share and change free software—to make sure the software is free for all its users.

This license, the Library General Public License, applies to some specially designated Free Software Foundation software, and to any other libraries whose authors decide to use it. You can use it for your libraries, too.

When we speak of free software, we are referring to freedom, not price. Our General Public Licenses are designed to make sure that you have the freedom to distribute copies of free software (and charge for this service if you wish), that you receive source code or can get it if you want it, that you can change the software or use pieces of it in new free programs; and that you know you can do these things.

To protect your rights, we need to make restrictions that forbid anyone to deny you these rights or to ask you to surrender the rights. These restrictions translate to certain responsibilities for you if you distribute copies of the library, or if you modify it.

For example, if you distribute copies of the library, whether gratis or for a fee, you must give the recipients all the rights that we gave you. You must make sure that they, too, receive or can get the source code. If you link a program with the library, you must provide complete object files to the recipients so that they can relink them with the library, after making changes to the library and recompiling it. And you must show them these terms so they know their rights.

Our method of protecting your rights has two steps: (1) copyright the library, and (2) offer you this license which gives you legal permission to copy, distribute and/or modify the library.

Also, for each distributor's protection, we want to make certain that everyone understands that there is no warranty for this free library. If the library is modified by someone else and passed on, we want its recipients to know that what they have is not the original version, so that any problems introduced by others will not reflect on the original authors' reputations.

Finally, any free program is threatened constantly by software patents. We wish to avoid the danger that companies distributing free software will individually obtain patent licenses, thus in effect transforming the program into proprietary software. To prevent this, we have made it clear that any patent must be licensed for everyone's free use or not licensed at all.

Most GNU software, including some libraries, is covered by the ordinary GNU General Public License, which was designed for utility programs. This license, the GNU Library General Public License, applies to certain designated libraries. This license is quite different from the ordinary one; be sure to read it in full, and don't assume that anything in it is the same as in the ordinary license.

The reason we have a separate public license for some libraries is that they blur the distinction we usually make between modifying or adding to a program and simply using it. Linking a program with a library, without changing the library, is in some sense simply using the library, and is analogous to running a utility program or application program. However, in a textual and legal sense, the linked executable is a combined work, a derivative of the original library, and the ordinary General Public License treats it as such.

Because of this blurred distinction, using the ordinary General Public License for libraries did not effectively promote software sharing, because most developers did not use the libraries. We concluded that weaker conditions might promote sharing better.

However, unrestricted linking of non-free programs would deprive the users of those programs of all benefit from the free status of the libraries themselves. This Library General Public License is intended to permit developers of non-free programs to use free libraries, while preserving your freedom as a user of such programs to change the free libraries that are incorporated in them. (We have not seen how to achieve this as regards changes in header files, but we have achieved it as regards changes in the actual functions of the Library.) The hope is that this will lead to faster development of free libraries.

The precise terms and conditions for copying, distribution and modification follow. Pay close attention to the difference between a "work based on the library" and a "work that uses the library". The former contains code derived from the library, while the latter only works together with the library.

Note that it is possible for a library to be covered by the ordinary General Public License rather than by this special one.

TERMS AND CONDITIONS FOR COPYING, DISTRIBUTION AND MODIFICATION

0. This License Agreement applies to any software library which contains a notice placed by the copyright holder or other authorized party saying it may be distributed under the terms of this Library General Public License (also called "this License"). Each licensee is addressed as "you".

A "library" means a collection of software functions and/or data prepared so as to be conveniently linked with application programs (which use some of those functions and data) to form executables.

The "Library", below, refers to any such software library or work which has been distributed under these terms. A "work based on the Library" means either the Library or any derivative work under copyright law: that is to say, a work containing the Library or a portion of it, either verbatim or with modifications and/or translated straightforwardly into another language. (Hereinafter, translation is included without limitation in the term "modification".)

Source code for a work means the preferred form of the work for making modifications to it. For a library, complete source code means all the source code for all modules it contains, plus any associated interface definition files, plus the scripts used to control compilation and installation of the library.

Activities other than copying, distribution and modification are not covered by this License; they are outside its scope. The act of running a program using the Library is not restricted, and output from such a program is covered only if its contents constitute a work based on the Library (independent of the use of the Library in a tool for writing it). Whether that is true depends on what the Library does and what the program that uses the Library does.

1. You may copy and distribute verbatim copies of the Library's complete source code as you receive it, in any medium, provided that you conspicuously and appropriately publish on each copy an appropriate copyright notice and disclaimer of warranty; keep intact all the notices that refer to this License and to the absence of any warranty; and distribute a copy of this License along with the Library.

You may charge a fee for the physical act of transferring a copy, and you may at your option offer warranty protection in exchange for a fee.

2. You may modify your copy or copies of the Library or any portion of it, thus forming a work based on the Library, and copy and distribute such modifications or work under the terms of Section 1 above, provided that you also meet all of these conditions:

- The modified work must itself be a software library.
- You must cause the files modified to carry prominent notices stating that you changed the files and the date of any change.
- You must cause the whole of the work to be licensed at no charge to all third parties under the terms of this License.
- If a facility in the modified Library refers to a function or a table of data to be supplied by an application program that uses the facility, other than as an argument passed when the facility is invoked, then you must make a good faith effort to ensure that, in the event an application does not supply such function or table, the facility still operates, and performs whatever part of its purpose remains meaningful.
(For example, a function in a library to compute square roots has a purpose that is entirely well-defined independent of the application. Therefore, Subsection 2d requires that any application-supplied function or table used by this function must be optional: if the application does not supply it, the square root function must still compute square roots.)

These requirements apply to the modified work as a whole. If identifiable sections of that work are not derived from the Library, and can be reasonably considered independent and separate works in themselves, then this License, and its terms, do not apply to those sections when you distribute them as separate works. But when you distribute the same sections as part of a whole which is a work based on the Library, the distribution of the whole must be on the terms of this License, whose permissions for other licensees extend to the entire whole, and thus to each and every part regardless of who wrote it.

Thus, it is not the intent of this section to claim rights or contest your rights to work written entirely by you; rather, the intent is to exercise the right to control the distribution of derivative or collective works based on the Library.

In addition, mere aggregation of another work not based on the Library with the Library (or with a work based on the Library) on a volume of a storage or distribution medium does not bring the other work under the scope of this License.

3. You may opt to apply the terms of the ordinary GNU General Public License instead of this License to a given copy of the Library. To do this, you must alter all the notices that refer to this License, so that they refer to the ordinary GNU General Public License, version 2, instead of to this License. (If a newer version than version 2 of the ordinary GNU General Public License has appeared, then you can specify that version instead if you wish.) Do not make any other change in these notices.

Once this change is made in a given copy, it is irreversible for that copy, so the ordinary GNU General Public License applies to all subsequent copies and derivative works made from that copy.

This option is useful when you wish to copy part of the code of the Library into a program that is not a library.

4. You may copy and distribute the Library (or a portion or derivative of it, under Section 2) in object code or executable form under the terms of Sections 1 and 2 above provided that you accompany it with the complete corresponding machine-readable source code, which must be distributed under the terms of Sections 1 and 2 above on a medium customarily used for software interchange.

If distribution of object code is made by offering access to copy from a designated place, then offering equivalent access to copy the source code from the same place satisfies the requirement to distribute the source code, even though third parties are not compelled to copy the source along with the object code.

Important Notice Regarding Software (continued)

5. A program that contains no derivative of any portion of the Library, but is designed to work with the Library by being compiled or linked with it, is called a "work that uses the Library". Such a work, in isolation, is not a derivative work of the Library, and therefore falls outside the scope of this License.

However, linking a "work that uses the Library" with the Library creates an executable that is a derivative of the Library (because it contains portions of the Library), rather than a "work that uses the library". The executable is therefore covered by this License. Section 6 states terms for distribution of such executables.

When a "work that uses the Library" uses material from a header file that is part of the Library, the object code for the work may be a derivative work of the Library even though the source code is not. Whether this is true is especially significant if the work can be linked without the Library, or if the work is itself a library. The threshold for this to be true is not precisely defined by law.

If such an object file uses only numerical parameters, data structure layouts and accessors, and small macros and small inline functions (ten lines or less in length), then the use of the object file is unrestricted, regardless of whether it is legally a derivative work. (Executables containing this object code plus portions of the Library will still fall under Section 6.)

Otherwise, if the work is a derivative of the Library, you may distribute the object code for the work under the terms of Section 6. Any executables containing that work also fall under Section 6, whether or not they are linked directly with the Library itself.

6. As an exception to the Sections above, you may also compile or link a "work that uses the Library" with the Library to produce a work containing portions of the Library, and distribute that work under terms of your choice, provided that the terms permit modification of the work for the customer's own use and reverse engineering for debugging such modifications.

You must give prominent notice with each copy of the work that the Library is used in it and that the Library and its use are covered by this License. You must supply a copy of this License. If the work during execution displays copyright notices, you must include the copyright notice for the Library among them, as well as a reference directing the user to the copy of this License. Also, you must do one of these things:

- a) Accompany the work with the complete corresponding machine-readable source code for the Library including whatever changes were used in the work (which must be distributed under Sections 1 and 2 above); and, if the work is an executable linked with the Library, with the complete machine-readable "work that uses the Library", as object code and/or source code, so that the user can modify the Library and then relink to produce a modified executable containing the modified Library. (It is understood that the user who changes the contents of definitions files in the Library will not necessarily be able to recompile the application to use the modified definitions.)
- b) Accompany the work with a written offer, valid for at least three years, to give the same user the materials specified in Subsection 6a, above, for a charge no more than the cost of performing this distribution.
- c) If distribution of the work is made by offering access to copy from a designated place, offer equivalent access to copy the above specified materials from the same place.
- d) Verify that the user has already received a copy of these materials or that you have already sent this user a copy.

For an executable, the required form of the "work that uses the Library" must include any data and utility programs needed for reproducing the executable from it. However, as a special exception, the source code distributed need not include anything that is normally distributed (in either source or binary form) with the major components (compiler, kernel, and so on) of the operating system on which the executable runs, unless that component itself accompanies the executable.

It may happen that this requirement contradicts the license restrictions of other proprietary libraries that do not normally accompany the operating system. Such a contradiction means you cannot use both them and the Library together in an executable that you distribute.

7. You may place library facilities that are a work based on the Library side-by-side in a single library together with other library facilities not covered by this License, and distribute such a combined library, provided that the separate distribution of the work based on the Library and of the other library facilities is otherwise permitted, and provided that you do these two things:

- a) Accompany the combined library with a copy of the same work based on the Library, uncombined with any other library facilities. This must be distributed under the terms of the Sections above.
- b) Give prominent notice with the combined library of the fact that part of it is a work based on the Library, and explaining where to find the accompanying uncombined form of the same work.

8. You may not copy, modify, sublicense, link with, or distribute the Library except as expressly provided under this License. Any attempt otherwise to copy, modify, sublicense, link with, or distribute the Library is void, and will automatically terminate your rights under this License. However, parties who have received copies, or rights, from you under this License will not have their licenses terminated so long as such parties remain in full compliance.

9. You are not required to accept this License, since you have not signed it. However, nothing else grants you permission to modify or distribute the Library or its derivative works. These actions are prohibited by law if you do not accept this License. Therefore, by modifying or distributing the Library (or any work based on the Library), you indicate your acceptance of this License to do so, and all its terms and conditions for copying, distributing or modifying the Library or works based on it.

10. Each time you redistribute the Library (or any work based on the Library), the recipient automatically receives a license from the original licensor to copy, distribute, link with or modify the Library subject to these terms and conditions. You may not impose any further restrictions on the recipients' exercise of the rights granted herein. You are not responsible for enforcing compliance by third parties to this License.

11. If, as a consequence of a court judgment or allegation of patent infringement or for any other reason (not limited to patent issues), conditions are imposed on you (whether by court order, agreement or otherwise) that contradict the conditions of this License, they do not excuse you from the conditions of this License. If you cannot distribute so as to satisfy simultaneously your obligations under this License and any other pertinent obligations, then as a consequence you may not distribute the Library at all. For example, if a patent license would not permit royalty-free redistribution of the Library by all those who receive copies directly or indirectly through you, then the only way you could satisfy both it and this License would be to refrain entirely from distribution of the Library.

If any portion of this section is held invalid or unenforceable under any particular circumstance, the balance of the section is intended to apply, and the section as a whole is intended to apply in other circumstances.

It is not the purpose of this section to induce you to infringe any patents or other property right claims or to contest validity of any such claims; this section has the sole purpose of protecting the integrity of the free software distribution system which is implemented by public license practices. Many people have made generous contributions to the wide range of software distributed through that system in reliance on consistent application of that system; it is up to the author/donor to decide if he or she is willing to distribute software through any other system and a licensee cannot impose that choice.

This section is intended to make thoroughly clear what is believed to be a consequence of the rest of this License.

12. If the distribution and/or use of the Library is restricted in certain countries either by patents or by copyrighted interfaces, the original copyright holder who places the Library under this License may add an explicit geographical distribution limitation excluding those countries, so that distribution is permitted only in or among countries not thus excluded. In such case, this License incorporates the limitation as if written in the body of this License.

13. The Free Software Foundation may publish revised and/or new versions of the Library General Public License from time to time. Such new versions will be

similar in spirit to the present version, but may differ in detail to address new problems or concerns.

Each version is given a distinguishing version number. If the Library specifies a version number of this License which applies to it and "any later version", you have the option of following the terms and conditions either of that version or of any later version published by the Free Software Foundation. If the Library does not specify a license version number, you may choose any version ever published by the Free Software Foundation.

14. If you wish to incorporate parts of the Library into other free programs whose distribution conditions are incompatible with these, write to the author to ask for permission. For software which is copyrighted by the Free Software Foundation, write to the Free Software Foundation; we sometimes make exceptions for this. Our decision will be guided by the two goals of preserving the free status of all derivatives of our free software and of promoting the sharing and reuse of software generally.

NO WARRANTY

15. BECAUSE THE LIBRARY IS LICENSED FREE OF CHARGE, THERE IS NO WARRANTY FOR THE LIBRARY, TO THE EXTENT PERMITTED BY APPLICABLE LAW. EXCEPT WHEN OTHERWISE STATED IN WRITING THE COPYRIGHT HOLDERS AND/OR OTHER PARTIES PROVIDE THE LIBRARY "AS IS" WITHOUT WARRANTY OF ANY KIND, EITHER EXPRESSED OR IMPLIED, INCLUDING, BUT NOT LIMITED TO, THE IMPLIED WARRANTIES OF MERCHANTABILITY AND FITNESS FOR A PARTICULAR PURPOSE. THE ENTIRE RISK AS TO THE QUALITY AND PERFORMANCE OF THE LIBRARY IS WITH YOU. SHOULD THE LIBRARY PROVE DEFECTIVE, YOU ASSUME THE COST OF ALL NECESSARY SERVICING, REPAIR OR CORRECTION.

16. IN NO EVENT UNLESS REQUIRED BY APPLICABLE LAW OR AGREED TO IN WRITING WILL ANY COPYRIGHT HOLDER, OR ANY OTHER PARTY WHO MAY MODIFY AND/OR REDISTRIBUTE THE LIBRARY AS PERMITTED ABOVE, BE LIABLE TO YOU FOR DAMAGES, INCLUDING ANY GENERAL, SPECIAL, INCIDENTAL OR CONSEQUENTIAL DAMAGES ARISING OUT OF THE USE OR INABILITY TO USE THE LIBRARY (INCLUDING BUT NOT LIMITED TO LOSS OF DATA OR DATA BEING RENDERED INACCURATE OR LOSSES SUSTAINED BY YOU OR THIRD PARTIES OR A FAILURE OF THE LIBRARY TO OPERATE WITH ANY OTHER SOFTWARE), EVEN IF SUCH HOLDER OR OTHER PARTY HAS BEEN ADVISED OF THE POSSIBILITY OF SUCH DAMAGES.

END OF TERMS AND CONDITIONS

How to Apply These Terms to Your New Libraries

If you develop a new library, and you want it to be of the greatest possible use to the public, we recommend making it free software that everyone can redistribute and change. You can do so by permitting redistribution under these terms (or, alternatively, under the terms of the ordinary General Public License).

To apply these terms, attach the following notices to the library. It is safest to attach them to the start of each source file to most effectively convey the exclusion of warranty; and each file should have at least the "copyright" line and a pointer to where the full notice is found.

one line to give the library's name and an idea of what it does.

Copyright (C) year name of author

This library is free software; you can redistribute it and/or modify it under the terms of the GNU Library General Public License as published by the Free Software Foundation; either version 2 of the License, or (at your option) any later version.

This library is distributed in the hope that it will be useful, but WITHOUT ANY WARRANTY; without even the implied warranty of MERCHANTABILITY or FITNESS FOR A PARTICULAR PURPOSE. See the GNU Library General Public License for more details.

You should have received a copy of the GNU Library General Public License along with this library; if not, write to the Free Software Foundation, Inc., 51 Franklin St, Fifth Floor, Boston, MA 02110-1301, USA.

Also add information on how to contact you by electronic and paper mail.

You should also get your employer (if you work as a programmer) or your school, if any, to sign a "copyright disclaimer" for the library, if necessary. Here is a sample; alter the names:

Yoyodyne, Inc., hereby disclaims all copyright interest in the library 'Frob' (a library for tweaking knobs) written by James Random Hacker.

signature of Ty Coon, 1 April 1990

Ty Coon, President of Vice

That's all there is to it!

GNU GENERAL PUBLIC LICENSE

Version 2, June 1991

Copyright (C) 1989, 1991 Free Software Foundation, Inc.59
Temple Place - Suite 330, Boston, MA 02111-1307, USA

Everyone is permitted to copy and distribute verbatim copies of this license document, but changing it is not allowed.

Preamble

The licenses for most software are designed to take away your freedom to share and change it. By contrast, the GNU General Public License is intended to guarantee your freedom to share and change free software—to make sure the software is free for all its users. This General Public License applies to most of the Free Software Foundation's software and to any other program whose authors commit to using it. (Some other Free Software Foundation software is covered by the GNU Library General Public License instead.) You can apply it to your programs, too.

When we speak of free software, we are referring to freedom, not price. Our General Public Licenses are designed to make sure that you have the freedom to distribute copies of free software (and charge for this service if you wish), that you receive source code or can get it if you want it, that you can change the software or use pieces of it in new free programs; and that you know you can do these things.

To protect your rights, we need to make restrictions that forbid anyone to deny you these rights or to ask you to surrender the rights. These restrictions translate to certain responsibilities for you if you distribute copies of the software, or if you modify it.

For example, if you distribute copies of such a program, whether gratis or for a fee, you must give the recipients all the rights that you have. You must make sure that they, too, receive or can get the source code. And you must show them these terms so they know their rights.

We protect your rights with two steps: (1) copyright the software, and (2) offer you this license which gives you legal permission to copy, distribute and/or modify the software.

Also, for each author's protection and ours, we want to make certain that everyone understands that there is no warranty for this free software. If the software is modified by someone else and passed on, we want its recipients to

Important Notice Regarding Software (continued)

know that what they have is not the original, so that any problems introduced by others will not reflect on the original authors' reputations.

Finally, any free program is threatened constantly by software patents. We wish to avoid the danger that redistributors of a free program will individually obtain patent licenses, in effect making the program proprietary. To prevent this, we have made it clear that any patent must be licensed for everyone's free use or not licensed at all.

The precise terms and conditions for copying, distribution and modification follow.

TERMS AND CONDITIONS FOR COPYING, DISTRIBUTION AND MODIFICATION

0. This License applies to any program or other work which contains a notice placed by the copyright holder saying it may be distributed under the terms of this General Public License. The "Program", below, refers to any such program or work, and a "work based on the Program" means either the Program or any derivative work under copyright law: that is to say, a work containing the Program or a portion of it, either verbatim or with modifications and/or translated into another language. (Hereinafter, translation is included without limitation in the term "modification.") Each licensee is addressed as "you".

Activities other than copying, distribution and modification are not covered by this License; they are outside its scope. The act of running the Program is not restricted, and the output from the Program is covered only if its contents constitute a work based on the Program (independent of having been made by running the Program). Whether that is true depends on what the Program does.

1. You may copy and distribute verbatim copies of the Program's source code as you receive it, in any medium, provided that you conspicuously and appropriately publish on each copy an appropriate copyright notice and disclaimer of warranty; keep intact all the notices that refer to this License and to the absence of any warranty; and give any other recipients of the Program a copy of this License along with the Program.

You may charge a fee for the physical act of transferring a copy, and you may at your option offer warranty protection in exchange for a fee.

2. You may modify your copy or copies of the Program or any portion of it, thus forming a work based on the Program, and copy and distribute such modifications or work under the terms of Section 1 above, provided that you also meet all of these conditions:

- a) You must cause the modified files to carry prominent notices stating that you changed the files and the date of any change.
- b) You must cause any work that you distribute or publish, that in whole or in part contains or is derived from the Program or any part thereof, to be licensed as a whole at no charge to all third parties under the terms of this License.
- c) If the modified program normally reads commands interactively when run, you must cause it, when started running for such interactive use in the most ordinary way, to print or display an announcement including an appropriate copyright notice and a notice that there is no warranty (or else, saying that you provide a warranty) and that users may redistribute the program under these conditions, and telling the user how to view a copy of this License. (Exception: if the Program itself is interactive but does not normally print such an announcement, your work based on the Program is not required to print an announcement.)

These requirements apply to the modified work as a whole. If identifiable sections of that work are not derived from the Program, and can be reasonably considered independent and separate works in themselves, then this License, and its terms, do not apply to those sections when you distribute them as separate works. But when you distribute the same sections as part of a whole which is a work based on the Program, the distribution of the whole must be

on the terms of this License, whose permissions for other licensees extend to the entire whole, and thus to each and every part regardless of who wrote it.

Thus, it is not the intent of this section to claim rights or contest your rights to work written entirely by you; rather, the intent is to exercise the right to control the distribution of derivative or collective works based on the Program.

In addition, mere aggregation of another work not based on the Program with the Program (or with a work based on the Program) on a volume of a storage or distribution medium does not bring the other work under the scope of this License.

3. You may copy and distribute the Program (or a work based on it, under Section 2) in object code or executable form under the terms of Sections 1 and 2 above provided that you also do one of the following:

- a) Accompany it with the complete corresponding machine-readable source code, which must be distributed under the terms of Sections 1 and 2 above on a medium customarily used for software interchange; or,
- b) Accompany it with a written offer, valid for at least three years, to give any third party, for a charge no more than your cost of physically performing source distribution, a complete machine-readable copy of the corresponding source code, to be distributed under the terms of Sections 1 and 2 above on a medium customarily used for software interchange; or,
- c) Accompany it with the information you received as to the offer to distribute corresponding source code. (This alternative is allowed only for noncommercial distribution and only if you received the program in object code or executable form with such an offer, in accord with Subsection b above.)

The source code for a work means the preferred form of the work for making modifications to it. For an executable work, complete source code means all the source code for all modules it contains, plus any associated interface definition files, plus the scripts used to control compilation and installation of the executable. However, as a special exception, the source code distributed need not include anything that is normally distributed (in either source or binary form) with the major components (compiler, kernel, and so on) of the operating system on which the executable runs, unless that component itself accompanies the executable.

If distribution of executable or object code is made by offering access to copy from a designated place, then offering equivalent access to copy the source code from the same place counts as distribution of the source code, even though third parties are not compelled to copy the source along with the object code.

4. You may not copy, modify, sublicense, or distribute the Program except as expressly provided under this License. Any attempt otherwise to copy, modify, sublicense or distribute the Program is void, and will automatically terminate your rights under this License. However, parties who have received copies, or rights, from you under this License will not have their licenses terminated so long as such parties remain in full compliance.

5. You are not required to accept this License, since you have not signed it. However, nothing else grants you permission to modify or distribute the Program or its derivative works. These actions are prohibited by law if you do not accept this License. Therefore, by modifying or distributing the Program (or any work based on the Program), you indicate your acceptance of this License to do so, and all its terms and conditions for copying, distributing or modifying the Program or works based on it.

6. Each time you redistribute the Program (or any work based on the Program), the recipient automatically receives a license from the original licensor to copy, distribute or modify the Program subject to these terms and conditions. You may not impose any further restrictions on the recipients' exercise of the rights granted herein. You are not responsible for enforcing compliance by third parties to this License.

7. If, as a consequence of a court judgment or allegation of patent infringement or for any other reason (not limited to patent issues), conditions are imposed on you (whether by court order, agreement or otherwise) that contradict the conditions of this License, they do not excuse you from the conditions of this License. If you cannot distribute so as to satisfy simultaneously your obligations under this License and any other pertinent obligations, then as a consequence you may not distribute the Program at all. For example, if a patent license would not permit royalty-free redistribution of the Program by all those who receive copies directly or indirectly through you, then the only way you could satisfy both it and this License would be to refrain entirely from distribution of the Program.

If any portion of this section is held invalid or unenforceable under any particular circumstance, the balance of the section is intended to apply and the section as a whole is intended to apply in other circumstances.

It is not the purpose of this section to induce you to infringe any patents or other property right claims or to contest validity of any such claims; this section has the sole purpose of protecting the integrity of the free software distribution system, which is implemented by public license practices. Many people have made generous contributions to the wide range of software distributed through that system in reliance on consistent application of that system; it is up to the author/ donor to decide if he or she is willing to distribute software through any other system and a licensee cannot impose that choice.

This section is intended to make thoroughly clear what is believed to be a consequence of the rest of this License.

8. If the distribution and/or use of the Program is restricted in certain countries either by patents or by copyrighted interfaces, the original copyright holder who places the Program under this License may add an explicit geographical distribution limitation excluding those countries, so that distribution is permitted only in or among countries not thus excluded. In such case, this License incorporates the limitation as if written in the body of this License.
9. The Free Software Foundation may publish revised and/or new versions of the General Public License from time to time. Such new versions will be similar in spirit to the present version, but may differ in detail to address new problems or concerns.

Each version is given a distinguishing version number. If the Program specifies a version number of this License which applies to it and "any later version", you have the option of following the terms and conditions either of that version or of any later version published by the Free Software Foundation. If the Program does not specify a version number of this License, you may choose any version ever published by the Free Software Foundation.

10. If you wish to incorporate parts of the Program into other free programs whose distribution conditions are different, write to the author to ask for permission. For software which is copyrighted by the Free Software Foundation, write to the Free Software Foundation; we sometimes make exceptions for this. Our decision will be guided by the two goals of preserving the free status of all derivatives of our free software and of promoting the sharing and reuse of software generally.

NO WARRANTY

11. BECAUSE THE PROGRAM IS LICENSED FREE OF CHARGE, THERE IS NO WARRANTY FOR THE PROGRAM, TO THE EXTENT PERMITTED BY APPLICABLE LAW. EXCEPT WHEN OTHERWISE STATED IN WRITING THE COPYRIGHT HOLDERS AND/OR OTHER PARTIES PROVIDE THE PROGRAM "AS IS" WITHOUT WARRANTY OF ANY KIND, EITHER EXPRESSED OR IMPLIED, INCLUDING, BUT NOT LIMITED TO, THE IMPLIED WARRANTIES OF MERCHANTABILITY AND FITNESS FOR A PARTICULAR PURPOSE. THE ENTIRE RISK AS TO THE QUALITY AND PERFORMANCE OF THE PROGRAM IS WITH YOU. SHOULD THE PROGRAM PROVE DEFECTIVE, YOU ASSUME THE COST OF ALL NECESSARY SERVICING, REPAIR OR CORRECTION.

12. IN NO EVENT UNLESS REQUIRED BY APPLICABLE LAW OR AGREED TO IN WRITING WILL ANY COPYRIGHT HOLDER, OR ANY OTHER PARTY WHO MAY

MODIFY AND/OR REDISTRIBUTE THE PROGRAM AS PERMITTED ABOVE, BE LIABLE TO YOU FOR DAMAGES, INCLUDING ANY GENERAL, SPECIAL, INCIDENTAL OR CONSEQUENTIAL DAMAGES ARISING OUT OF THE USE OR INABILITY TO USE THE PROGRAM (INCLUDING BUT NOT LIMITED TO LOSS OF DATA OR DATA BEING RENDERED INACCURATE OR LOSSES SUSTAINED BY YOU OR THIRD PARTIES OR A FAILURE OF THE PROGRAM TO OPERATE WITH ANY OTHER PROGRAMS), EVEN IF SUCH HOLDER OR OTHER PARTY HAS BEEN ADVISED OF THE POSSIBILITY OF SUCH DAMAGES.

END OF TERMS AND CONDITIONS

How to Apply These Terms to Your New Programs

If you develop a new program, and you want it to be of the greatest possible use to the public, the best way to achieve this is to make it free software which everyone can redistribute and change under these terms.

To do so, attach the following notices to the program. It is safest to attach them to the start of each source file to most effectively convey the exclusion of warranty; and each file should have at least the "copyright" line and a pointer to where the full notice is found.

```
<one line to give the program's name and an idea of what it does.>
Copyright (C) <year> <name of author>
```

This program is free software; you can redistribute it and/or modify it under the terms of the GNU General Public License as published by the Free Software Foundation; either version 2 of the License, or (at your option) any later version.

This program is distributed in the hope that it will be useful, but WITHOUT ANY WARRANTY; without even the implied warranty of MERCHANTABILITY or FITNESS FOR A PARTICULAR PURPOSE. See the GNU General Public License for more details.

You should have received a copy of the GNU General Public License along with this program; if not, write to the Free Software Foundation, Inc., 59 Temple Place - Suite 330, Boston, MA 02111-1307, USA.

Also add information on how to contact you by electronic and paper mail.

If the program is interactive, make it output a short notice like this when it starts in an interactive mode:

```
Gnomovision version 69, Copyright (C) year name of author Gnomovision
comes with ABSOLUTELY NO WARRANTY; for details type 'show w'. This
is free software, and you are welcome to redistribute it under certain
conditions; type 'show c' for details.
```

The hypothetical commands 'show w' and 'show c' should show the appropriate parts of the General Public License. Of course, the commands you use may be called something other than 'show w' and 'show c'; they could even be mouse-clicks or menu items—whatever suits your program.

You should also get your employer (if you work as a programmer) or your school, if any, to sign a "copyright disclaimer" for the program, if necessary. Here is a sample; alter the names:

```
Yoyodyne, Inc., hereby disclaims all copyright interest in the program
'Gnomovision' (which makes passes at compilers) written by James Hacker.
<signature of Ty Coon>, 1 April 1989
Ty Coon, President of Vice
```

This General Public License does not permit incorporating your program into proprietary programs. If your program is a subroutine library, you may consider it more useful to permit linking proprietary applications with the library. If this is what you want to do, use the GNU Library General Public License instead of this License.

Important Notice Regarding Software (continued)

Important Notice Regarding Other Third-Party Software

This product includes the following software that TEAC has received permission to use from third parties either directly or indirectly.

Notices for file(s) :

audio.primary.default.so

audio.primary.ls6b-ek.so

local_time.default.so

Copyright (C) 2011 The Android Open Source Project

Licensed under the Apache License, Version 2.0 (the "License"); you may not use this file except in compliance with the License. You may obtain a copy of the License at <http://www.apache.org/licenses/LICENSE-2.0>

Unless required by applicable law or agreed to in writing, software distributed under the License is distributed on an "AS IS" BASIS, WITHOUT WARRANTIES OR CONDITIONS OF ANY KIND, either express or implied.

Notices for file(s) :

audio_policy.default.so

Copyright 2007, The Android Open Source Project

Licensed under the Apache License, Version 2.0 (the "License"); you may not use this file except in compliance with the License. You may obtain a copy of the License at <http://www.apache.org/licenses/LICENSE-2.0>

Unless required by applicable law or agreed to in writing, software distributed under the License is distributed on an "AS IS" BASIS, WITHOUT WARRANTIES OR CONDITIONS OF ANY KIND, either express or implied.

Notices for file(s) :

libaudioflinger.so

libcutils.so

libhardware.so

libhardware_legacy.so

liblog.so

libnetutils.so

libmedia.so

libmediaplayerservice.so

libstagefright.so

libstagefright_amrnb_common.so

libstagefright_avc_common.so

libstagefright_chromium_http.so

libstagefright_foundation.so

libstagefright_httplive.so

libstagefright_omx.so

libstagefright_soft_aacdec.so

libstagefright_soft_aacenc.so

libstagefright_soft_amrdec.so

libstagefright_soft_flacenc.so

libstagefright_soft_mp3dec.so

libstagefright_soft_rawdec.so

libstagefright_soft_vorbisdec.so

libsysteem_server.so

libutils.so

libui.so

libdownmix.so

libvisualizer.so

Copyright (c) 2005-2008, The Android Open Source Project

Licensed under the Apache License, Version 2.0 (the "License"); you may not use this file except in compliance with the License.

Unless required by applicable law or agreed to in writing, software distributed under the License is distributed on an "AS IS" BASIS, WITHOUT WARRANTIES OR CONDITIONS OF ANY KIND, either express or implied.

See the License for the specific language governing permissions and limitations under the License.

Apache License

Version 2.0, January 2004

<http://www.apache.org/licenses/>

Notices for file(s) :

libaudioutils.so

Copyright 2011, The Android Open-Source Project

Licensed under the Apache License, Version 2.0 (the "License"); you may not use this file except in compliance with the License. You may obtain a copy of the License at <http://www.apache.org/licenses/LICENSE-2.0>

Unless required by applicable law or agreed to in writing, software distributed under the License is distributed on an "AS IS" BASIS, WITHOUT WARRANTIES OR CONDITIONS OF ANY KIND, either express or implied.

Notices for file(s) :

libbinder.so

Copyright (C) 2009 The Android Open Source Project

Licensed under the Apache License, Version 2.0 (the "License"); you may not use this file except in compliance with the License. You may obtain a copy of the License at

<http://www.apache.org/licenses/LICENSE-2.0>

Unless required by applicable law or agreed to in writing, software distributed under the License is distributed on an "AS IS" BASIS, WITHOUT WARRANTIES OR CONDITIONS OF ANY KIND, either express or implied.

Notices for file(s) :

libc.so

libstagefright_wfd.so

libcommon_time.so

Copyright (C) 2012 The Android Open Source Project

Licensed under the Apache License, Version 2.0 (the "License"); you may not use this file except in compliance with the License. You may obtain a copy of the License at <http://www.apache.org/licenses/LICENSE-2.0>

Unless required by applicable law or agreed to in writing, software distributed under the License is distributed on an "AS IS" BASIS, WITHOUT WARRANTIES OR CONDITIONS OF ANY KIND, either express or implied.

Notices for file(s) :

libcorkscrew.so

Copyright (c) 2011, The Android Open Source Project

Licensed under the Apache License, Version 2.0 (the "License"); you may not use this file except in compliance with the License.

Unless required by applicable law or agreed to in writing, software distributed under the License is distributed on an "AS IS" BASIS, WITHOUT WARRANTIES OR CONDITIONS OF ANY KIND, either express or implied.

See the License for the specific language governing permissions and limitations under the License.

Apache License
Version 2.0, January 2004
<http://www.apache.org/licenses/>

Notices for file(s) :

libeffects.so

libusbhost.so

Copyright (C) 2010 The Android Open Source Project

Licensed under the Apache License, Version 2.0 (the "License"); you may not use this file except in compliance with the License. You may obtain a copy of the License at <http://www.apache.org/licenses/LICENSE-2.0>

Unless required by applicable law or agreed to in writing, software distributed under the License is distributed on an "AS IS" BASIS, WITHOUT WARRANTIES OR CONDITIONS OF ANY KIND, either express or implied.

Notices for file(s) :

libdl.so

Copyright (C) 2007 The Android Open Source Project

Licensed under the Apache License, Version 2.0 (the "License"); you may not use this file except in compliance with the License. You may obtain a copy of the License at <http://www.apache.org/licenses/LICENSE-2.0>

Unless required by applicable law or agreed to in writing, software distributed under the License is distributed on an "AS IS" BASIS, WITHOUT WARRANTIES OR CONDITIONS OF ANY KIND, either express or implied.

Notices for file(s) :

libgabi++-so

Copyright (C) 2011 The Android Open Source Project

THIS SOFTWARE IS PROVIDED BY THE PROJECT AND CONTRIBUTORS "AS IS" AND ANY EXPRESS OR IMPLIED WARRANTIES, INCLUDING, BUT NOT LIMITED TO, THE IMPLIED WARRANTIES OF MERCHANTABILITY AND FITNESS FOR A PARTICULAR PURPOSE ARE DISCLAIMED. IN NO EVENT SHALL THE PROJECT OR CONTRIBUTORS BE LIABLE FOR ANY DIRECT, INDIRECT, INCIDENTAL, SPECIAL, EXEMPLARY, OR CONSEQUENTIAL DAMAGES HOWEVER CAUSED AND ON ANY THEORY OF LIABILITY, WHETHER IN CONTRACT, STRICT LIABILITY, OR TORT ARISING IN ANY WAY OUT OF THE USE OF THIS SOFTWARE, EVEN IF ADVISED OF THE POSSIBILITY OF SUCH DAMAGE.

Notices for file(s) :

libm.so

Copyright (C) 1993 by Sun Microsystems, Inc. All rights reserved.
Copyright (C) 2004 by Sun Microsystems, Inc. All rights reserved.
Copyright (c) 1985, 1993
The Regents of the University of California. All rights reserved.
Copyright (c) 1988, 1993
The Regents of the University of California. All rights reserved.
Copyright (c) 1990 The Regents of the University of California.
All rights reserved.
Copyright (c) 1992, 1993
The Regents of the University of California. All rights reserved.
Copyright (c) 1993,94 Winning Strategies, Inc.
All rights reserved.
Copyright (c) 1996 The NetBSD Foundation, Inc.
All rights reserved. Copyright (c) 2003 Dag-Erling Sm?rgrav
All rights reserved. Copyright (c) 2003 Mike Barcroft <mike@FreeBSD.org>
Copyright (c) 2004 Stefan Farleeder
All rights reserved.
Copyright (c)2002,2003, 2004-2005,2007,2008 David Schultz <das@FreeBSD.ORG>

Important Notice Regarding Software (continued)

All rights reserved.

Copyright (c) 2010 The Android Open Source Project

All rights reserved.

Notices for file(s) :

libnbaio.so

libstdc++.so

libsutils.so

Copyright (C) 2008 The Android Open Source Project

Licensed under the Apache License, Version 2.0 (the "License"); you may not use this file except in compliance with the License. You may obtain a copy of the License at <http://www.apache.org/licenses/LICENSE-2.0>

Unless required by applicable law or agreed to in writing, software distributed under the License is distributed on an "AS IS" BASIS, WITHOUT WARRANTIES OR CONDITIONS OF ANY KIND, either express or implied."

Notices for file(s) :

libsync.so

Copyright 2012 Google, Inc

Licensed under the Apache License, Version 2.0 (the "License"); you may not use this file except in compliance with the License. You may obtain a copy of the License at

<http://www.apache.org/licenses/LICENSE-2.0>

Unless required by applicable law or agreed to in writing, software distributed under the License is distributed on an "AS IS" BASIS, WITHOUT WARRANTIES OR CONDITIONS OF ANY KIND, either express or implied.

Notices for file(s) :

libthread_db.so

Copyright 2006 The Android Open Source Project

Notices for file(s) :

libconnectivitymanager.so

Copyright (C) 2013 The Android Open Source Project

Licensed under the Apache License, Version 2.0 (the "License"); you may not use this file except in compliance with the License. You may obtain a copy of the License at <http://www.apache.org/licenses/LICENSE-2.0>

Unless required by applicable law or agreed to in writing, software distributed under the License is distributed on an "AS IS" BASIS, WITHOUT WARRANTIES OR CONDITIONS OF ANY KIND, either express or implied.

Notices for file(s) :

libcrypto.so

libssl.so

Copyright (c) 1998-2011 The OpenSSL Project. All rights reserved.

Copyright (C) 1995-1998 Eric Young (eay@cryptsoft.com) All rights reserved.

This package is an SSL implementation written by Eric Young (eay@cryptsoft.com).

The implementation was written so as to conform with Netscapes SSL.

This library is free for commercial and non-commercial use as long as the following conditions are adhered to. The following conditions apply to all code found in this distribution, be it the RC4, RSA, lhash, DES, etc., code; not just the SSL code. The SSL documentation included with this distribution is covered by the same copyright terms except that the holder is Tim Hudson (tjh@cryptsoft.com).

Notices for file(s) :

libexpat.so

Copyright (c) 1998, 1999, 2000 Thai Open Source Software Center Ltd and Clark Cooper

Copyright (c) 2001, 2002, 2003, 2004, 2005, 2006 Expat maintainers.

Permission is hereby granted, free of charge, to any person obtaining a copy of this software and associated documentation files (the Software), to deal in the Software without restriction, including without limitation the rights to use, copy, modify, merge, publish, distribute, sublicense, and/or sell copies of the Software, and to permit persons to whom the Software is furnished to do so, subject to the following conditions:

The above copyright notice and this permission notice shall be included in all copies or substantial portions of the Software.

THE SOFTWARE IS PROVIDED "AS IS", WITHOUT WARRANTY OF ANY KIND, EXPRESS OR IMPLIED, INCLUDING BUT NOT LIMITED TO THE WARRANTIES OF MERCHANTABILITY, FITNESS FOR A PARTICULAR PURPOSE AND NONINFRINGEMENT.

IN NO EVENT SHALL THE AUTHORS OR COPYRIGHT HOLDERS BE LIABLE FOR ANY CLAIM, DAMAGES OR OTHER LIABILITY, WHETHER IN AN ACTION OF CONTRACT, TORT OR OTHERWISE, ARISING FROM, OUT OF OR IN CONNECTION WITH THE SOFTWARE OR THE USE OR OTHER DEALINGS IN THE SOFTWARE.

Notices for file(s) :

libext2_uuid.so

Redistribution and use in source and binary forms, with or without modification, are permitted provided that the following conditions are met:

1. Redistributions of source code must retain the above copyright notice, and the entire permission notice in its entirety, including the disclaimer of warranties.

2. Redistributions in binary form must reproduce the above copyright notice, this list of conditions and the following disclaimer in the documentation and/or other materials provided with the distribution.
3. The name of the author may not be used to endorse or promote products derived from this software without specific prior written permission.

THIS SOFTWARE IS PROVIDED "AS IS" AND ANY EXPRESS OR IMPLIED WARRANTIES, INCLUDING, BUT NOT LIMITED TO, THE IMPLIED WARRANTIES OF MERCHANTABILITY AND FITNESS FOR A PARTICULAR PURPOSE, ALL OF WHICH ARE HEREBY DISCLAIMED. IN NO EVENT SHALL THE AUTHOR BE LIABLE FOR ANY DIRECT, INDIRECT, INCIDENTAL, SPECIAL, EXEMPLARY, OR CONSEQUENTIAL DAMAGES (INCLUDING, BUT NOT LIMITED TO, PROCUREMENT OF SUBSTITUTE GOODS OR SERVICES; LOSS OF USE, DATA, OR PROFITS; OR BUSINESS INTERRUPTION) HOWEVER CAUSED AND ON ANY THEORY OF LIABILITY, WHETHER IN CONTRACT, STRICT LIABILITY, OR TORT (INCLUDING NEGLIGENCE OR OTHERWISE) ARISING IN ANY WAY OUT OF THE USE OF THIS SOFTWARE, EVEN IF NOT ADVISED OF THE POSSIBILITY OF SUCH DAMAGE.

Notices for file(s) :

libmndssd.so

The majority of the source code in the mDNSResponder project is licensed under the terms of the Apache License, Version 2.0, available from: <http://www.apache.org/licenses/LICENSE-2.0>

To accommodate license compatibility with the widest possible range of client code licenses, the shared library code, which is linked at runtime into the same address space as the client using it, is licensed under the terms of the "Three-Clause BSD License":

The Linux Name Service Switch code, contributed by National ICT Australia Ltd (NICTA) is licensed under the terms of the NICTA Public Software Licence (which is substantially similar to the "Three-Clause BSD License", with some additional language pertaining to Australian law).

Notices for file(s) :

libspeexresampler.so

Copyright (C) 2002-2008 Jean-Marc Valin
 Copyright (C) 2002 Jean-Marc Valin & David Rowe
 Copyright (C) 2003 Epic Games
 Copyright (C) 2003 Epic Games (written by Jean-Marc Valin)
 Copyright (C) 2004-2006 Epic Games
 Copyright (C) 2005 Analog Devices
 Copyright (C) 2005 Jean-Marc Valin, CSIRO, Christopher Montgomery
 Copyright (C) 2006 David Rowe
 Copyright (C) 2006-2008 CSIRO, Jean-Marc Valin, Xiph.Org Foundation
 Copyright (C) 2008 Thorvald Natvig
 Copyright (c) 2003-2004, Mark Borgerding
 Copyright (c) 2005-2007, Jean-Marc Valin Copyright 1992, 1993, 1994 by Jutta Degener and Carsten Bormann,
 Technische Universitaet Berlin THIS SOFTWARE IS PROVIDED BY THE COPYRIGHT HOLDERS AND CONTRIBUTORS "AS IS" AND ANY EXPRESS OR IMPLIED WARRANTIES, INCLUDING, BUT NOT LIMITED TO, THE IMPLIED WARRANTIES OF MERCHANTABILITY AND FITNESS FOR A PARTICULAR PURPOSE ARE DISCLAIMED. IN NO EVENT SHALL THE FOUNDATION OR CONTRIBUTORS BE LIABLE FOR ANY DIRECT, INDIRECT, INCIDENTAL, SPECIAL, EXEMPLARY, OR CONSEQUENTIAL DAMAGES HOWEVER CAUSED AND ON ANY THEORY OF LIABILITY, WHETHER IN CONTRACT, STRICT LIABILITY, OR TORT

ARISING IN ANY WAY OUT OF THE USE OF THIS SOFTWARE, EVEN IF ADVISED OF THE POSSIBILITY OF SUCH DAMAGE.

Notices for file(s) :

libstlport.so

Copyright 1999,2000 Boris Fomitchev
 Copyright 1996,97 Silicon Graphics Computer Systems, Inc.
 Copyright 1997 Moscow Center for SPARC Technology.
 Copyright 1994 Hewlett-Packard Company

This material is provided "as is", with absolutely no warranty expressed or implied. Any use is at your own risk.
 Permission to use or copy this software for any purpose is hereby granted without fee, provided the above notices are retained on all copies. Permission to modify the code and to distribute modified code is granted, provided the above notices are retained, and a notice that the code was modified is included with the above copyright notice.

Notices for file(s) :

libtinyalsa.so

Copyright 2011, The Android Open Source Project

THIS SOFTWARE IS PROVIDED BY The Android Open Source Project "AS IS" AND ANY EXPRESS OR IMPLIED WARRANTIES, INCLUDING, BUT NOT LIMITED TO, THE IMPLIED WARRANTIES OF MERCHANTABILITY AND FITNESS FOR A PARTICULAR PURPOSE ARE DISCLAIMED. IN NO EVENT SHALL The Android Open Source Project BE LIABLE FOR ANY DIRECT, INDIRECT, INCIDENTAL, SPECIAL, EXEMPLARY, OR CONSEQUENTIAL DAMAGES (INCLUDING, BUT NOT LIMITED TO, PROCUREMENT OF SUBSTITUTE GOODS OR SERVICES; LOSS OF USE, DATA, OR PROFITS; OR BUSINESS INTERRUPTION) HOWEVER CAUSED AND ON ANY THEORY OF LIABILITY, WHETHER IN CONTRACT, STRICT LIABILITY, OR TORT (INCLUDING NEGLIGENCE OR OTHERWISE) ARISING IN ANY WAY OUT OF THE USE OF THIS SOFTWARE, EVEN IF ADVISED OF THE POSSIBILITY OF SUCH DAMAGE.

Notices for file(s) :

libvorbisidec.so

Copyright (C) 2002-2009, Xiph.org Foundation
 Copyright (C) 2010, Robin Watts for Pinknoise Productions Ltd
 All rights reserved.

THIS SOFTWARE IS PROVIDED BY THE COPYRIGHT HOLDERS AND CONTRIBUTORS AS IS AND ANY EXPRESS OR IMPLIED WARRANTIES, INCLUDING, BUT NOT LIMITED TO, THE IMPLIED WARRANTIES OF MERCHANTABILITY AND FITNESS FOR A PARTICULAR PURPOSE ARE DISCLAIMED. IN NO EVENT SHALL THE COPYRIGHT OWNER OR CONTRIBUTORS BE LIABLE FOR ANY DIRECT, INDIRECT, INCIDENTAL, SPECIAL, EXEMPLARY, OR CONSEQUENTIAL DAMAGES HOWEVER CAUSED AND ON ANY THEORY OF LIABILITY, WHETHER IN CONTRACT, STRICT LIABILITY, OR TORT ARISING IN ANY WAY OUT OF THE USE OF THIS SOFTWARE, EVEN IF ADVISED OF THE POSSIBILITY OF SUCH DAMAGE.

Notices for file(s) :

Important Notice Regarding Software (continued)

libwpa_client.so

Copyright (c) 2002-2012, Jouni Malinen <j@w1.fi> and contributors
All Rights Reserved.

These programs are licensed under the BSD license

Notices for file(s) :

libz.so

(C) 1995-2012 Jean-loup Gailly and Mark Adler

This software is provided 'as-is', without any express or implied warranty. In no event will the authors be held liable for any damages arising from the use of this software.

Notices for file(s) :

libcui18n.so

Copyright (c) 1995-2008 International Business Machines Corporation and others All rights reserved.

Copyright (c) 1991-2007 Unicode, Inc. All rights reserved.

Distributed under the Terms of Use in <http://www.unicode.org/copyright.html>.
THE DATA FILES AND SOFTWARE ARE PROVIDED "AS IS", WITHOUT WARRANTY OF ANY KIND, EXPRESS OR IMPLIED, INCLUDING BUT NOT LIMITED TO THE WARRANTIES OF MERCHANTABILITY, FITNESS FOR A PARTICULAR PURPOSE AND NONINFRINGEMENT OF THIRD PARTY RIGHTS.

IN NO EVENT SHALL THE COPYRIGHT HOLDER OR HOLDERS INCLUDED IN THIS NOTICE BE LIABLE FOR ANY CLAIM, OR ANY SPECIAL INDIRECT OR CONSEQUENTIAL DAMAGES, OR ANY DAMAGES WHATSOEVER RESULTING FROM LOSS OF USE, DATA OR PROFITS, WHETHER IN AN ACTION OF CONTRACT, NEGLIGENCE OR OTHER TORTIOUS ACTION, ARISING OUT OF OR IN CONNECTION WITH THE USE OR PERFORMANCE OF THE DATA FILES OR SOFTWARE.

Notices for file(s) :

libcuc.so

Copyright (c) 1995-2008 International Business Machines Corporation and others All rights reserved.

Copyright (c) 1991-2007 Unicode, Inc. All rights reserved.

Distributed under the Terms of Use in <http://www.unicode.org/copyright.html>.
THE DATA FILES AND SOFTWARE ARE PROVIDED "AS IS", WITHOUT WARRANTY OF ANY KIND, EXPRESS OR IMPLIED, INCLUDING BUT NOT LIMITED TO THE WARRANTIES OF MERCHANTABILITY, FITNESS FOR A PARTICULAR PURPOSE AND NONINFRINGEMENT OF THIRD PARTY RIGHTS.

IN NO EVENT SHALL THE COPYRIGHT HOLDER OR HOLDERS INCLUDED IN THIS NOTICE BE LIABLE FOR ANY CLAIM, OR ANY SPECIAL INDIRECT OR CONSEQUENTIAL DAMAGES, OR ANY DAMAGES WHATSOEVER RESULTING FROM LOSS OF USE, DATA OR PROFITS, WHETHER IN AN ACTION OF CONTRACT, NEGLIGENCE OR OTHER TORTIOUS ACTION, ARISING OUT OF OR IN CONNECTION WITH THE USE OR PERFORMANCE OF THE DATA FILES OR SOFTWARE.

Notices for file(s) :

libupnp.so

Copyright (C) Satoshi Konno 2005

Copyright (C) 2006 Nokia Corporation.

All rights reserved.

Redistribution and use in source and binary forms, with or without modification, are permitted provided that the following conditions are met:

- * Redistributions of source code must retain the above copyright notice, this list of conditions and the following disclaimer.
- * Redistributions in binary form must reproduce the above copyright notice, this list of conditions and the following disclaimer in the documentation and/or other materials provided with the distribution.
- * Neither the name of the Cyber Garage nor the names of its contributors may be used to endorse or promote products derived from this software without specific prior written permission.

THIS SOFTWARE IS PROVIDED BY THE COPYRIGHT HOLDERS AND CONTRIBUTORS AS IS AND ANY EXPRESS OR IMPLIED WARRANTIES, INCLUDING, BUT NOT LIMITED TO, THE IMPLIED WARRANTIES OF MERCHANTABILITY AND FITNESS FOR A PARTICULAR PURPOSE ARE DISCLAIMED. IN NO EVENT SHALL THE COPYRIGHT OWNER OR CONTRIBUTORS BE LIABLE FOR ANY DIRECT, INDIRECT, INCIDENTAL, SPECIAL, EXEMPLARY, OR CONSEQUENTIAL DAMAGES (INCLUDING, BUT NOT LIMITED TO, PROCUREMENT OF SUBSTITUTE GOODS OR SERVICES; LOSS OF USE, DATA, OR PROFITS; OR BUSINESS INTERRUPTION) HOWEVER CAUSED AND ON ANY THEORY OF LIABILITY, WHETHER IN CONTRACT, STRICT LIABILITY, OR TORT (INCLUDING NEGLIGENCE OR OTHERWISE) ARISING IN ANY WAY OUT OF THE USE OF THIS SOFTWARE, EVEN IF ADVISED OF THE POSSIBILITY OF SUCH DAMAGE.

Notices for file(s) :

libwac_ark.so

Copyright (C) 2013 Apple Inc. All Rights Reserved.

This Apple software is supplied to you, by Apple Inc. ("Apple"), in your capacity as a current, and in good standing, Licensee in the MFi Licensing Program.

Use of this Apple software is governed by and subject to the terms and conditions of your MFi License, including, but not limited to, the restrictions specified in the provision entitled "Public Software", and is further subject to your agreement to the following additional terms, and your agreement that the use, installation, modification or redistribution of this Apple software constitutes acceptance of these additional terms. If you do not agree with these additional terms, please do not use, install, modify or redistribute this Apple software.

The Apple Software is provided by Apple on an "AS IS" basis. APPLE MAKES NO WARRANTIES, EXPRESS OR IMPLIED, INCLUDING WITHOUT LIMITATION THE IMPLIED WARRANTIES OF NON-INFRINGEMENT, MERCHANTABILITY AND FITNESS FOR A PARTICULAR PURPOSE, REGARDING THE APPLE SOFTWARE OR ITS USE AND OPERATION ALONE OR IN COMBINATION WITH YOUR PRODUCTS.

IN NO EVENT SHALL APPLE BE LIABLE FOR ANY SPECIAL, INDIRECT, INCIDENTAL OR CONSEQUENTIAL DAMAGES ARISING IN ANY WAY OUT OF THE USE, REPRODUCTION, MODIFICATION AND/OR DISTRIBUTION OF THE APPLE SOFTWARE, HOWEVER CAUSED AND WHETHER UNDER THEORY OF CONTRACT, TORT, STRICT LIABILITY OR OTHERWISE, EVEN IF APPLE HAS BEEN ADVISED OF THE POSSIBILITY OF SUCH DAMAGE.

Notices for file(s) :

libusb1.0.so

Android build config for libusb tests

Copyright (c) 2012-2013 RealVNC Ltd. <toby.gray@realvnc.com>

This library is free software; you can redistribute it and/or modify it under the terms of the GNU Lesser General Public License as published by the Free Software Foundation; either version 2.1 of the License, or (at your option) any later version.

This library is distributed in the hope that it will be useful, but WITHOUT ANY WARRANTY; without even the implied warranty of MERCHANTABILITY or FITNESS FOR A PARTICULAR PURPOSE.

Notices for file(s) :

libJson.so

Copyright (c) 2007-2010 Baptiste Lepilleur

Permission is hereby granted, free of charge, to any person obtaining a copy of this software and associated documentation files (the "Software"), to deal in the Software without restriction, including without limitation the rights to use, copy, modify, merge, publish, distribute, sublicense, and/or sell copies of the Software, and to permit persons to whom the Software is furnished to do so, subject to the following conditions:

The above copyright notice and this permission notice shall be included in all copies or substantial portions of the Software.

THE SOFTWARE IS PROVIDED "AS IS", WITHOUT WARRANTY OF ANY KIND, EXPRESS OR IMPLIED, INCLUDING BUT NOT LIMITED TO THE WARRANTIES OF MERCHANTABILITY, FITNESS FOR A PARTICULAR PURPOSE AND NONINFRINGEMENT. IN NO EVENT SHALL THE AUTHORS OR COPYRIGHT HOLDERS BE LIABLE FOR ANY CLAIM, DAMAGES OR OTHER LIABILITY, WHETHER IN AN ACTION OF CONTRACT, TORT OR OTHERWISE, ARISING FROM, OUT OF OR IN CONNECTION WITH THE SOFTWARE OR THE USE OR OTHER DEALINGS IN THE SOFTWARE.

The text of the Apache License is included below.

Apache License

Version 2.0, January 2004

<http://www.apache.org/licenses/>

TERMS AND CONDITIONS FOR USE, REPRODUCTION, AND DISTRIBUTION

1. Definitions.

"License" shall mean the terms and conditions for use, reproduction, and distribution as defined by Sections 1 through 9 of this document.

"Licensor" shall mean the copyright owner or entity authorized by the copyright owner that is granting the License.

"Legal Entity" shall mean the union of the acting entity and all other entities that control, are controlled by, or are under common control with that entity. For the purposes of this definition, "control" means (i) the power, direct or indirect, to cause the direction or management of such entity, whether by contract or otherwise, or (ii) ownership of fifty percent (50%) or more of the outstanding shares, or (iii) beneficial ownership of such entity.

"You" (or "Your") shall mean an individual or Legal Entity exercising permissions granted by this License.

"Source" form shall mean the preferred form for making modifications, including but not limited to software source code, documentation source, and configuration files.

"Object" form shall mean any form resulting from mechanical transformation or translation of a Source form, including but not limited to compiled object code, generated documentation, and conversions to other media types.

"Work" shall mean the work of authorship, whether in Source or Object form, made available under the License, as indicated by a copyright notice that is included in or attached to the work (an example is provided in the Appendix below).

"Derivative Works" shall mean any work, whether in Source or Object form, that is based on (or derived from) the Work and for which the editorial revisions, annotations, elaborations, or other modifications represent, as a whole, an original work of authorship. For the purposes of this License, Derivative Works shall not include works that remain separable from, or merely link (or bind by name) to the interfaces of, the Work and Derivative Works thereof.

"Contribution" shall mean any work of authorship, including the original version of the Work and any modifications or additions to that Work or Derivative Works thereof, that is intentionally submitted to Licensor for inclusion in the Work by the copyright owner or by an individual or Legal Entity authorized to submit on behalf of the copyright owner. For the purposes of this definition, "submitted" means any form of electronic, verbal, or written communication sent to the Licensor or its representatives, including but not limited to communication on electronic mailing lists, source code control systems, and issue tracking systems that are managed by, or on behalf of, the Licensor for the purpose of discussing and improving the Work, but excluding communication that is conspicuously marked or otherwise designated in writing by the copyright owner as "Not a Contribution."

"Contributor" shall mean Licensor and any individual or Legal Entity on behalf of whom a Contribution has been received by Licensor and subsequently incorporated within the Work.

2. Grant of Copyright License.

Subject to the terms and conditions of this License, each Contributor hereby grants to You a perpetual, worldwide, non-exclusive, no-charge, royalty-free, irrevocable copyright license to reproduce, prepare Derivative Works of, publicly display, publicly perform, sublicense, and distribute the Work and such Derivative Works in Source or Object form.

3. Grant of Patent License.

Subject to the terms and conditions of this License, each Contributor hereby grants to You a perpetual, worldwide, non-exclusive, no-charge, royalty-free, irrevocable (except as stated in this section) patent license to make, have made, use, offer to sell, sell, import, and otherwise transfer the Work, where such license applies only to those patent claims licensable by such Contributor that are necessarily infringed by their Contribution(s) alone or by combination of their Contribution(s) with the Work to which such Contribution(s) was submitted. If You institute patent litigation against any entity (including a cross-claim or counterclaim in a lawsuit) alleging that the Work or a Contribution incorporated within the Work constitutes direct or contributory patent infringement, then any patent licenses granted to You under this License for that Work shall terminate as of the date such litigation is filed.

4. Redistribution.

You may reproduce and distribute copies of the Work or Derivative Works thereof in any medium, with or without modifications, and in Source or Object form, provided that You meet the following conditions:

- You must give any other recipients of the Work or Derivative Works a copy of this License; and
- You must cause any modified files to carry prominent notices stating that You changed the files; and

Important Notice Regarding Software (continued)

(c) You must retain, in the Source form of any Derivative Works that You distribute, all copyright, patent, trademark, and attribution notices from the Source form of the Work, excluding those notices that do not pertain to any part of the Derivative Works; and

(d) If the Work includes a "NOTICE" text file as part of its distribution, then any Derivative Works that You distribute must include a readable copy of the attribution notices contained within such NOTICE file, excluding those notices that do not pertain to any part of the Derivative Works, in at least one of the following places: within a NOTICE text file distributed as part of the Derivative Works; within the Source form or documentation, if provided along with the Derivative Works; or, within a display generated by the Derivative Works, if and wherever such third-party notices normally appear. The contents of the NOTICE file are for informational purposes only and do not modify the License. You may add Your own attribution notices within Derivative Works that You distribute, alongside or as an addendum to the NOTICE text from the Work, provided that such additional attribution notices cannot be construed as modifying the License.

You may add Your own copyright statement to Your modifications and may provide additional or different license terms and conditions for use, reproduction, or distribution of Your modifications, or for any such Derivative Works as a whole, provided Your use, reproduction, and distribution of the Work otherwise complies with the conditions stated in this License.

5. Submission of Contributions.

Unless You explicitly state otherwise, any Contribution intentionally submitted for inclusion in the Work by You to the Licensor shall be under the terms and conditions of this License, without any additional terms or conditions.

Notwithstanding the above, nothing herein shall supersede or modify the terms of any separate license agreement you may have executed with Licensor regarding such Contributions.

6. Trademarks.

This License does not grant permission to use the trade names, trademarks, service marks, or product names of the Licensor, except as required for reasonable and customary use in describing the origin of the Work and reproducing the content of the NOTICE file.

7. Disclaimer of Warranty.

Unless required by applicable law or agreed to in writing, Licensor provides the Work (and each Contributor provides its Contributions) on an "AS IS" BASIS, WITHOUT WARRANTIES OR CONDITIONS OF ANY KIND, either express or implied, including, without limitation, any warranties or conditions of TITLE, NON-INFRINGEMENT, MERCHANTABILITY, or FITNESS FOR A PARTICULAR PURPOSE. You are solely responsible for determining the appropriateness of using or redistributing the Work and assume any risks associated with Your exercise of permissions under this License.

8. Limitation of Liability.

In no event and under no legal theory, whether in tort (including negligence), contract, or otherwise, unless required by applicable law (such as deliberate and grossly negligent acts) or agreed to in writing, shall any Contributor be liable to You for damages, including any direct, indirect, special, incidental, or consequential damages of any character arising as a result of this License or out of the use or inability to use the Work (including but not limited to damages for loss of goodwill, work stoppage, computer failure or malfunction, or any and all other commercial damages or losses), even if such Contributor has been advised of the possibility of such damages.

9. Accepting Warranty or Additional Liability.

While redistributing the Work or Derivative Works thereof, You may choose to offer, and charge a fee for, acceptance of support, warranty, indemnity, or other liability obligations and/or rights consistent with this License. However, in accepting such obligations, You may act only on Your own behalf and on Your sole responsibility, not on behalf of any other Contributor, and only if You agree to indemnify, defend, and hold each Contributor harmless for any liability incurred by, or claims asserted against, such Contributor by reason of your accepting any such warranty or additional liability.

END OF TERMS AND CONDITIONS

APPENDIX: How to apply the Apache License to your work.

To apply the Apache License to your work, attach the following boilerplate notice, with the fields enclosed by brackets "[]" replaced with your own identifying information. (Don't include the brackets!) The text should be enclosed in the appropriate comment syntax for the file format. We also recommend that a file or class name and description of purpose be included on the same "printed page" as the copyright notice for easier identification within third-party archives.

Copyright [yyyy] [name of copyright owner]

Licensed under the Apache License, Version 2.0 (the "License");
you may not use this file except in compliance with the License.
You may obtain a copy of the License at

<http://www.apache.org/licenses/LICENSE-2.0>

Unless required by applicable law or agreed to in writing, software distributed under the License is distributed on an "AS IS" BASIS, WITHOUT WARRANTIES OR CONDITIONS OF ANY KIND, either express or implied.

See the License for the specific language governing permissions and limitations under the License.

Europe/Europa

This product is subject to the legal warranty regulations of the country of purchase. In case of a defect or a problem, please contact the dealer where you bought the product.

Ce produit est sujet aux réglementations concernant la garantie légale dans le pays d'achat. En cas de défaut ou de problème, veuillez contacter le revendeur chez qui vous avez acheté le produit.

Las condiciones de garantía de este aparato están sujetas a las disposiciones legales sobre garantía del país en el que ha sido adquirido. En caso de garantía, debe dirigirse al establecimiento donde adquirió el aparato.

Dieses Gerät unterliegt den gesetzlichen Gewährleistungsbestimmungen des Landes, in dem es erworben wurde. Bitte wenden Sie sich im Gewährleistungsfall an den Händler, bei dem sie das Gerät erworben haben.

Questo apparecchio è conforme alle norme sulla garanzia vigenti nel rispettivo Paese in cui esso è stato acquistato. Si prega di rivolgersi al proprio commerciante, presso il quale è stato acquistato l'apparecchio, nel caso in cui si voglia richiedere una prestazione in garanzia.

Dit product valt onder de wettelijke garantiievoorschriften van het land waar het is aangeschaft. Neem bij een defect of probleem contact op met de leverancier waar u het product heeft gekocht.

För denna produkt gäller det lagliga garantireglerna av landet där köpet gjordes. Vid fel eller problem kontakta vanligen återförsäljaren, där du köpte produkten.

In countries/regions other than Europe

This warranty gives you specific legal rights, and you may also have other rights that vary by country, state or province.

If you have a warranty claim or request, please contact the dealer where you bought the product.

该保证书赋予了顾客特定的合法权利，并且因国家，州或省等地域的不同，顾客可能拥有其他权利。如需申请或要求保修，请与购买本产品的销售店进行联系。

TEAC

TEAC CORPORATION	1-47 Ochiai, Tama-shi, Tokyo 206-8530 Japan	Phone: +81-42-356-9156
TEAC AMERICA, INC.	1834 Gage Road, Montebello, California 90640 U.S.A.	Phone: +1-323-726-0303
TEAC AUDIO EUROPE	Gutenbergstr. 3, 82178 Puchheim, Germany	Phone: +49-8142-4208-141

This product has a serial number located on the rear panel. Please write it here and retain this for your records.

Model name: WS-A70 Serial number: _____

1117.MA-2383A