

# TEAC

D01369321B

# PE-505

ENGLISH

FRANÇAIS

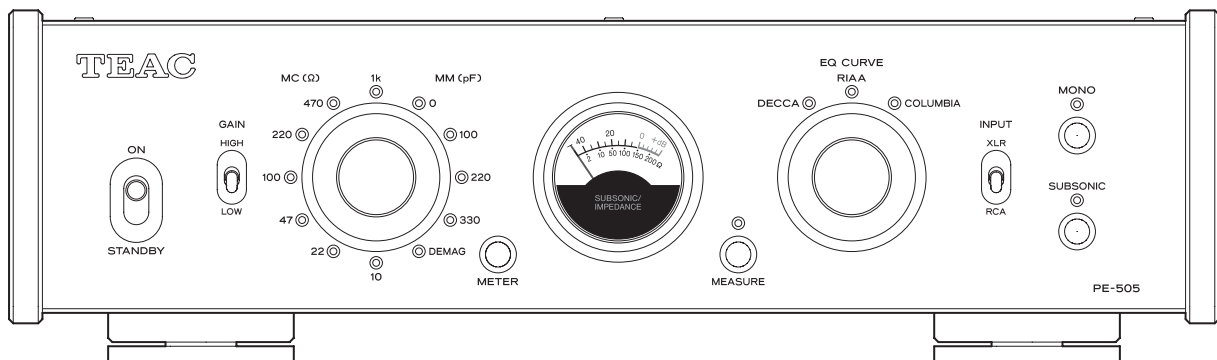
ESPAÑOL

## Phono Preamplifier

OWNER'S MANUAL

MODE D'EMPLOI

MANUAL DEL USUARIO



# IMPORTANT SAFETY INSTRUCTIONS



The lightning flash with arrowhead symbol, within an equilateral triangle, is intended to alert the user to the presence of uninsulated "dangerous voltage" within the product's enclosure that may be of sufficient magnitude to constitute a risk of electric shock to persons.



The exclamation point within an equilateral triangle is intended to alert the user to the presence of important operating and maintenance (servicing) instructions in the literature accompanying the appliance.

**WARNING: TO PREVENT FIRE OR SHOCK HAZARD, DO NOT EXPOSE THIS APPLIANCE TO RAIN OR MOISTURE.**

## CAUTION

- DO NOT REMOVE THE EXTERNAL CASES OR CABINETS TO EXPOSE THE ELECTRONICS. NO USER SERVICEABLE PARTS ARE INSIDE.
- IF YOU ARE EXPERIENCING PROBLEMS WITH THIS PRODUCT, CONTACT THE STORE WHERE YOU PURCHASED THE UNIT FOR A SERVICE REFERRAL. DO NOT USE THE PRODUCT UNTIL IT HAS BEEN REPAIRED.
- USE OF CONTROLS OR ADJUSTMENTS OR PERFORMANCE OF PROCEDURES OTHER THAN THOSE SPECIFIED HEREIN MAY RESULT IN HAZARDOUS RADIATION EXPOSURE.

- 1) Read these instructions.
  - 2) Keep these instructions.
  - 3) Heed all warnings.
  - 4) Follow all instructions.
  - 5) Do not use this apparatus near water.
  - 6) Clean only with dry cloth.
  - 7) Do not block any ventilation openings. Install in accordance with the manufacturer's instructions.
  - 8) Do not install near any heat sources such as radiators, heat registers, stoves, or other apparatus (including amplifiers) that produce heat.
  - 9) Do not defeat the safety purpose of the polarized or grounding-type plug. A polarized plug has two blades with one wider than the other. A grounding type plug has two blades and a third grounding prong. The wide blade or the third prong are provided for your safety. If the provided plug does not fit into your outlet, consult an electrician for replacement of the obsolete outlet.
  - 10) Protect the power cord from being walked on or pinched particularly at plugs, convenience receptacles, and the point where they exit from the apparatus.
  - 11) Only use attachments/accessories specified by the manufacturer.
  - 12) Use only with the cart, stand, tripod, bracket, or table specified by the manufacturer, or sold with the apparatus. When a cart is used, use caution when moving the cart/apparatus combination to avoid injury from tip-over.
  - 13) Unplug this apparatus during lightning storms or when unused for long periods of time.
  - 14) Refer all servicing to qualified service personnel. Servicing is required when the apparatus has been damaged in any way, such as power-supply cord or plug is damaged, liquid has been spilled or objects have fallen into the apparatus, the apparatus has been exposed to rain or moisture, does not operate normally, or has been dropped.
- The apparatus draws nominal non-operating power from the AC outlet with its POWER or STANDBY/ON switch not in the ON position.
  - The mains plug is used as the disconnect device; the disconnect device shall remain readily operable.
  - Caution should be taken when using earphones or headphones with the product because excessive sound pressure (volume) from earphones or headphones can cause hearing loss.



## CAUTION

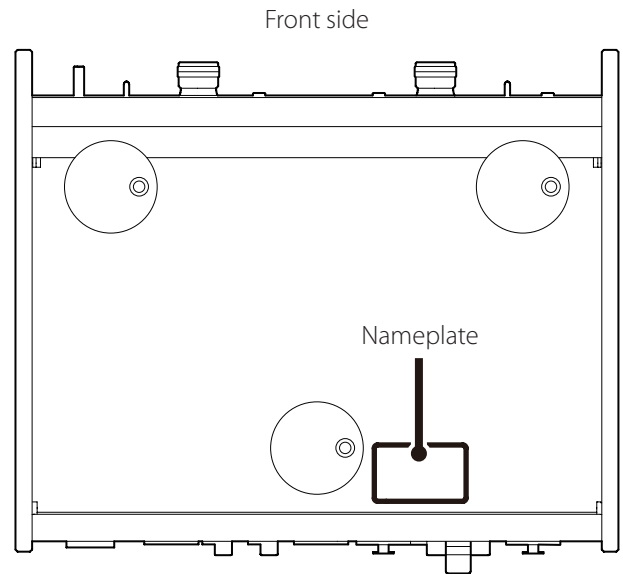
- Do not expose this apparatus to drips or splashes.
- Do not place any objects filled with liquids, such as vases, on the apparatus.
- The handle-like parts on the left and right sides of the front panel are decorative. Do not put your fingers through them or use them to carry the unit.
- Do not install this apparatus in a confined space such as a book case or similar unit.
- The apparatus should be located close enough to the AC outlet so that you can easily reach the power cord plug at any time.
- If the product uses batteries (including a battery pack or installed batteries), they should not be exposed to sunshine, fire or excessive heat.
- CAUTION for products that use replaceable lithium batteries: there is danger of explosion if a battery is replaced with an incorrect type of battery. Replace only with the same or equivalent type.

## WARNING

Products with Class **I** construction are equipped with a power supply cord that has a grounding plug. The cord of such a product must be plugged into an AC outlet that has a protective grounding connection.

**IN USA/CANADA, USE ONLY ON 120V SUPPLY.**

The nameplate is located on the bottom of the unit as shown below.



# IMPORTANT SAFETY INSTRUCTIONS (continued)

## Model for USA

### Supplier's Declaration of Conformity

Model number: PE-505

Trade name: TEAC

Responsible party: 11 Trading Company, LLC

Address: 3502 Woodview Trace #200 Indianapolis, IN 46268 U.S.A.

URL: <https://11tradingcompany.com/contact-us/>

This device complies with Part.15 of FCC Rules. Operation is subject to the following two conditions: (1) this device may not cause harmful interference, and (2) this device must accept any interference received, including interference that may cause undesired operation.



### Information

This equipment has been tested and found to comply with the limits for a Class B digital device, pursuant to Part 15 of the FCC Rules. These limits are designed to provide reasonable protection against harmful interference in a residential installation. This equipment generates, uses, and can radiate radio frequency energy and, if not installed and used in accordance with the instructions, may cause harmful interference to radio communications. However, there is no guarantee that interference will not occur in a particular installation. If this equipment does cause harmful interference to radio or television reception, which can be determined by turning the equipment off and on, the user is encouraged to try to correct the interference by one or more of the following measures:

- Reorient or relocate the equipment and/or the receiving antenna.
- Increase the separation between the equipment and receiver.
- Connect the equipment into an outlet on a circuit different from that to which the receiver is connected.
- Consult the dealer or an experienced radio/TV technician for help.

### CAUTION

Changes or modifications not expressly approved by the party responsible for compliance could void the user's authority to operate the equipment.

## Model for Canada

Innovation, Science and Economic Development Canada's

Compliance Statement:

This Class B digital apparatus complies with Canadian ICES-003.

## Model for Europe



This product complies with the European Directives request, and the other Commission Regulations.


## Model for UK

This product complies with the applicable UK regulations.



## For European Customers

### Disposal of electrical and electronic equipment and batteries and/or accumulators

- All electrical/electronic equipment and waste batteries/accumulators should be disposed of separately from the municipal waste stream via collection facilities designated by the government or local authorities.
- By disposing of electrical/electronic equipment and waste batteries/accumulators correctly, you will help save valuable resources and prevent any potential negative effects on human health and the environment.
- Improper disposal of waste electrical/electronic equipment and batteries/accumulators can have serious effects on the environment and human health because of the presence of hazardous substances in the equipment.
- The Waste Electrical and Electronic Equipment (WEEE) symbols, which show wheeled bins that have been crossed out, indicate that electrical/electronic equipment and batteries/accumulators must be collected and disposed of separately from household waste. If a battery or accumulator contains more than the specified values of lead (Pb), mercury (Hg), and/or cadmium (Cd) as defined in the Battery Directive (2006/66/EC, 2013/56/EU), then the chemical symbols for those elements will be indicated beneath the WEEE symbol. 
- Return and collection systems are available to end users. For more detailed information about the disposal of old electrical/electronic equipment and waste batteries/accumulators, please contact your city office, waste disposal service or the shop where you purchased the equipment.

# Contents

---

Thank you for choosing TEAC.  
Read this manual carefully to get the best performance from this unit.  
After reading it, keep it in a safe place for future reference.

EN

IMPORTANT SAFETY INSTRUCTIONS .....	2
Included accessories.....	6
Before use .....	6
Note about pinpoint feet.....	7
Maintenance .....	7
Using the TEAC Global Site.....	7
Connections.....	8
Using an RCA-XLR conversion cable for balanced connection of an MC cartridge .....	9
RCA-XLR conversion cable example.....	9
Front panel names and functions .....	10
Basic operation .....	11
Turning the power on .....	11
Putting the unit into standby .....	11
Setting the load impedance .....	11
MC cartridge impedance measurement .....	11
Using the easy demagnetization function .....	12
Automatic power saving function .....	12
Restoring default settings .....	12
Troubleshooting.....	13
Specifications.....	14
XLR cable connection diagrams.....	15

---

Company names, product names and logos in this document are the trademarks or registered trademarks of their respective owners.

## Included accessories

---

Check to be sure the box contains all the included items shown below.

Please contact the store where you purchased this unit if any of these items are missing or have been damaged during transportation.

**Power cord × 1**

**Rubber pads × 3**

**Owner's manual (this document, including warranty) × 1**

- For information about the warranty, users living in the USA and Canada should see pages 44–45 and the back cover (warranty document). Users living in Europe and other regions should see page 45.

## Before use

---

### Placement precautions

- Do not place anything on top of the unit.
- Do not install this unit in a location that could become hot. This includes places that are exposed to direct sunlight or near a radiator, heater, stove or other heating equipment. Do not place the unit on top of an amplifier or other equipment that might generate heat that exceeds the operating temperature range of this unit. Doing so could cause discoloration, deformation or malfunction.
- Place the unit in a stable location.
- When installing this unit, leave a little space (at least 3 cm or 1") between it and walls and other devices in order to allow good heat dissipation.  
If you put it in a rack, for example, leave at least 5 cm (2") open above it and at least 10 cm (4") open behind it.  
Failure to provide these gaps could cause heat to build up inside and result in fire.
- Do not move the unit during use.
- Be careful to avoid injury when moving the unit due to its weight. Have someone help you move it if necessary.
- The voltage supplied to the unit should match the voltage printed on the bottom of the unit. If you are in any doubt regarding this matter, consult an electrician.
- Do not open the body of the unit as this might result in damage to the circuitry or cause electric shock. If a foreign object should get into the unit, contact your dealer.
- When removing the power plug from the wall outlet, always pull directly on the plug; never yank on the cord.

## Maintenance

Wipe dirt from the top cover and other panel surfaces using a soft cloth that has been slightly dampened with a diluted neutral cleanser.

Do not wipe with chemical cleaning cloths, thinner or other chemical agents. Doing so could damage the surface.

**⚠ For your safety, disconnect the power cord from the outlet before cleaning.**

## Using the TEAC Global Site

You can download updates for this unit from the TEAC Global Site:

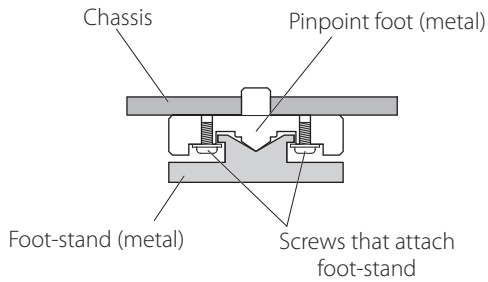
**<https://teac-global.com>**

In the TEAC Downloads section, click the desired language to open the Downloads website page for that language.

### Note about pinpoint feet

High-precision metal pinpoint feet are attached firmly to the bottom plate of this unit.

The stands for these feet are loose, but when the unit is placed in position, it is supported by these pinpoint feet, which will effectively disperse vibrations.

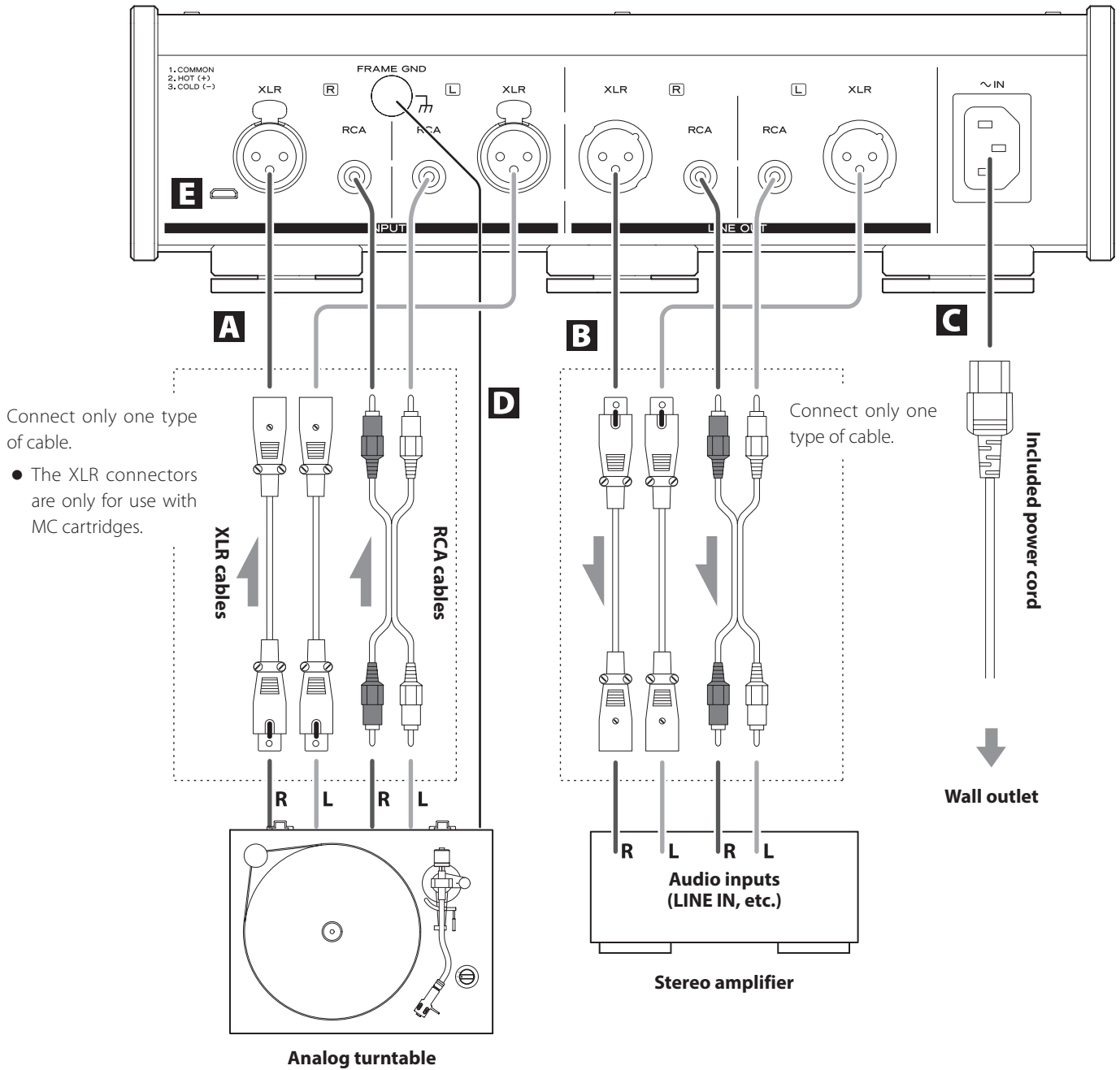


- The included rubber pads are intended to protect the surface where the unit is placed. Apply them to the bottoms of the foot-stands.

# Connections

**⚠ Complete all other connections before turning the unit on.**

- Carefully read the manuals of the devices that you are connecting and follow their instructions when making connections.
- Do not bundle connecting cables with power cords. Doing so could cause noise.
- Connect all plugs completely.





### A Phono input connectors (INPUTS)

Connect the audio outputs of an analog turntable.

- The XLR connectors are only for use with MC cartridges.

Use audio cables to connect the R and L connectors on an analog turntable to the corresponding R and L connectors on this unit.

**Use the following types of commercially-available cables for connections.**

- XLR: XLR cables
- RCA: RCA cables

### B Analog audio output connectors (LINE OUT)

These connectors output audio.

Connect these to the audio input connectors (e.g. LINE IN) on an amplifier.

**Use the following types of commercially-available cables for connections.**

- XLR: XLR cables
- RCA: RCA cables

- Do not connect the analog audio output connectors on this unit to phono input connectors on an amplifier. Be sure to connect them to line input connectors.

### C Power inlet (~IN)

Connect the supplied power cord here.

After all other connections are complete, connect the power cord's plug to a wall outlet.

**⚠ Do not use any power cord other than the one included with this unit. Use of other power cords could result in fire or electric shock.**

**⚠ Disconnect the power plug from the outlet if you will not use the unit for a long time.**

### D Grounding terminal (FRAME GND)

Connect an audio output cable from an analog turntable to the grounding terminal.

Connecting the grounding terminal also to the amplifier might improve sound quality.

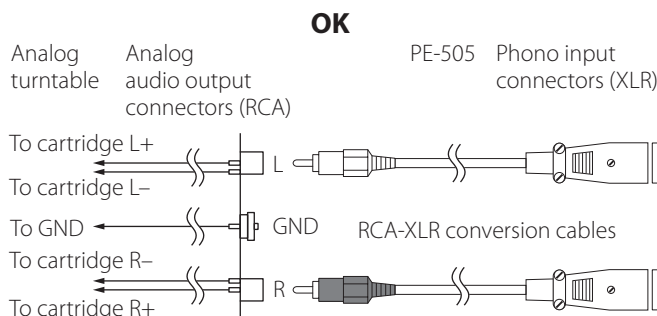
- Failure to connect the grounding terminal of an analog turntable might cause hum (a low continuous noise).

### E Maintenance port

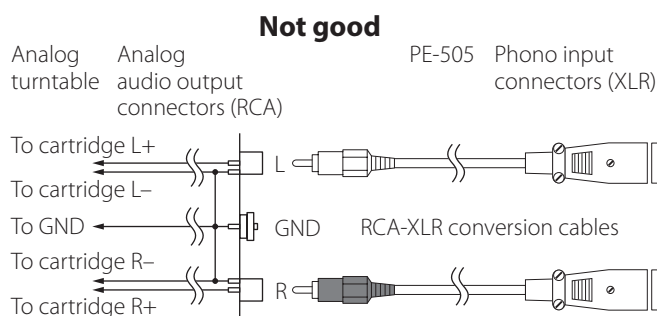
This is used for maintenance. Do not connect anything to this port unless instructed to do so by our service department.

## Using an RCA-XLR conversion cable for balanced connection of an MC cartridge

When using an RCA-XLR conversion cable for balanced connection of an MC cartridge, only the following types of analog turntables can be connected to this unit: turntables in which the cartridge – and the tone arm GND are not connected inside it, and turntables in which the L/R – are isolated.

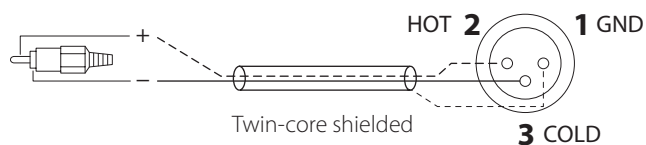


If the L/R – and tone arm GND are connected within the analog turntable, a humming sound might be heard.



- When the L/R – and tone arm GND are connected within the analog turntable, using an RCA-XLR conversion cable might not reduce the humming sound.
- When connected with an analog turntable that has a built-in phono equalizer amplifier, turn the phone equalizer amplifier output off during use.

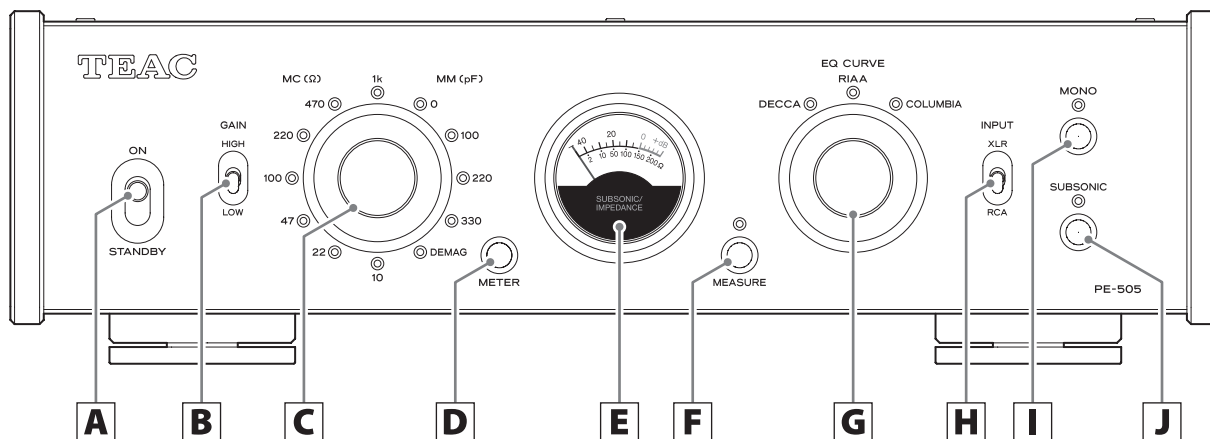
## RCA-XLR conversion cable example



### ATTENTION

RCA-XLR conversion cables that have the RCA cold connected to XLR pin 1 or to pins 1 and 3 cannot be used.

# Front panel names and functions



## **A** STANDBY/ON switch

Use to put the unit into standby mode or turn it on.

## **B** GAIN switch

Use this to change the amplifier gain. First, set it to LOW and check the volume. If the volume is too low, set it to HIGH. HIGH outputs with gain that is 12 dB higher compared to LOW.

## **C** Impedance selection knob

Set the load impedance setting according to the cartridge type (MC/MM) used by the connected analog turntable (page 11).

- The indicator for the selected impedance lights.
- If the INPUT selection switch is set to XLR, MM cartridge settings cannot be selected. The XLR connectors are only for use with MC cartridges.

## **D** METER button

Press this button to change the meter brightness in the following order.

Bright → Normal → Dim → Unlit → Unlit (meter off)



## **E** Meter

This shows the volume of subsonic (6 Hz and below) frequencies. During measurement, it shows MC cartridge impedance (page 11).

## **F** MEASURE button

Use this to measure MC cartridge impedance.

- The indicator above the button lights during measurement.
- Playback sound is not output during impedance measurement.

## **G** EQ CURVE selection knob

Select the curve that sounds natural according to the record being played back. The options are RIAA (curve for stereo LP playback), DECCA (DECCA LP) and COLUMBIA (Columbia LP) (page 11).

## **H** INPUT selection switch

Select which connectors are connected to the analog turntable.

## **I** MONO button

Turn this on when using a mono cartridge.

- The indicator above this button lights when it is on.

## **J** SUBSONIC filter button

When on, a filter is applied with a cutoff of 17 Hz and a slope of  $-24$  dB/oct.

When playing a warped record, turning this on can reduce unnecessary woofer movement.

- The indicator above this button lights when it is on.

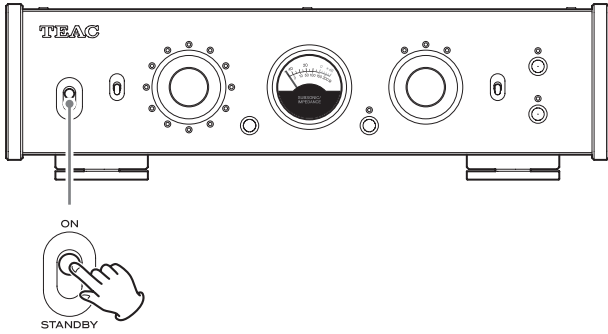
# Basic operation

## Turning the power on

### 1 Minimize the volume of the amplifier.

If using a device that cannot have its volume adjusted when it is off, minimize the volume after turning it on.

### 2 Set the STANDBY/ON switch on the unit to ON.



- If the indicator above the MEASURE button is lit, press the MEASURE button to turn it off.

### 3 Play a record and adjust the volume on the amplifier.

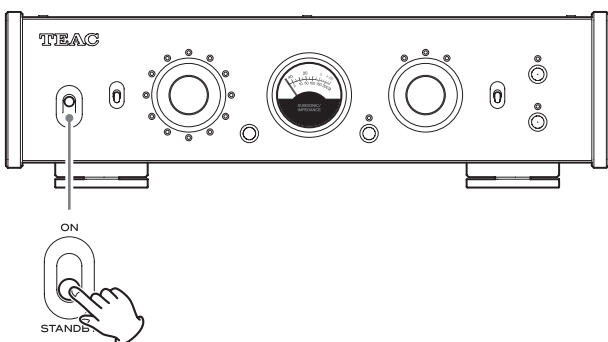
### 4 Use the EQ CURVE selection knob to select the curve that sounds natural depending on the record being played.

## Putting the unit into standby

### 1 If a record is being played, stop playback.

### 2 Minimize the volume of the amplifier.

### 3 Set the STANDBY/ON switch on the unit to STANDBY.



### 4 Turn the amplifier off.

## Setting the load impedance

### When using an MC cartridge

If the MC cartridge used has a recommended load resistance (load impedance), set it to a value near that value. If not specified, select the value that provides the best sound quality. The lower the load resistance is, the lower the volume will be. Higher load resistances will increase the volume.

A standard load resistance is 100  $\Omega$ .

- This load resistance does not refer to the internal resistance of the cartridge (internal impedance, coil impedance).
- Select a load resistance that is high enough for the internal resistance of the cartridge being used.
- Selecting a load resistance that is not large enough relative to internal cartridge resistance will reduce sound volume and increase noise.

### When using an MM cartridge

If the MM cartridge used has a recommended load capacity, try setting the knob to a position near that value. If not specified, select the value that provides the best sound quality.

## MC cartridge impedance measurement

Use a 1kHz sine wave to measure the impedance of the entire path including the MC cartridge and the cable that connects the analog turntable and this device. Set the unit to receive a load impedance that is about twice the impedance determined from the measurement.

### 1 Move the analog turntable tone arm away from the record.

### 2 Press the MEASURE button and the indicator will light.

- The meter will automatically switch to bright level.

### 3 Read the impedance from the lower indications on the meter.

#### ATTENTION

- MM cartridge impedance and load capacity cannot be measured.
- Do not measure impedance during record playback.
- Playback sound is not output during impedance measurement.

# Basic operation

---

## Using the easy demagnetization function

Using the easy demagnetization function to demagnetize MC cartridges with iron cores and step-up transformers, for example, could improve the sound quality by making it clearer and giving it greater definition.

### 1 Set the impedance selection knob to DEMAG.

The load impedance is set to 0  $\Omega$  and both ends of the cartridge are short-circuited.

### 2 Play a record.

The playback signal current goes through the cartridge and demagnetizes it.

- Demagnetization takes about 30 seconds. Keep the record playing for about 30 seconds.
- Playback sound is not output when the impedance selection knob is set to DEMAG.

### 3 Reset the impedance selection knob to its previous position.

## Equalizer curve characteristics (time constant)

### RIAA

3180  $\mu$ s/318  $\mu$ s/75  $\mu$ s

### Decca (DECCA LP)

1590  $\mu$ s/318  $\mu$ s/60  $\mu$ s

### Columbia (Columbia LP)

1590  $\mu$ s/318  $\mu$ s/100  $\mu$ s

- There are a variety of opinions about equalizer curves.
- Try a different curve if the sound seems unnatural when using the RIAA curve to play an old record, even a stereo LP.

## Automatic power saving function

This unit has an automatic power saving function.

- This is set to on when shipped new from the factory.

### When the automatic power saving function is on

The unit will enter standby\* if no operation occurs for about 30 minutes.

Operating the unit when in standby will disable the automatic power saving function and turn it on.

### When the automatic power saving function is off

The unit will not enter standby automatically.

\*Power consumption is 0.5 W or less when in standby.

## Checking the setting

If automatic power saving is off, all the impedance indicators will light momentarily when the unit is turned on.

## Setting the automatic power saving function

Use the following procedure to turn the automatic power saving function on and off.

While pressing the MEASURE button, set the STANDBY/ON switch to ON. Continue pressing the MEASURE button until all the indicators light (about three seconds).

## Restoring default settings

While pressing the METER button, set the STANDBY/ON switch to ON. Continue pressing the METER button until all the indicators light (about three seconds).

# Troubleshooting

If you experience a problem with this unit, please take a moment to review the following information before requesting service. If it still does not operate correctly, contact the retailer where you purchased the unit.

## The unit does not turn on.

- ➔ Check that the power cord is completely plugged into the power outlet. If the outlet is switched, confirm that the switch is in the ON position.
- ➔ Connect a different electrical device to the outlet to confirm that it is supplying power.
- ➔ If the unit is in standby because of the automatic power saving function, set the STANDBY/ON switch to STANDBY once and then set it to ON again.

## There is a humming noise.

- ➔ If a connecting cable is near a power cord, fluorescent light or similar cause of interference, increase the distance between them as much as possible.
- ➔ Check the cable connecting the analog turntable to the grounding terminal (FRAME GND) on this unit.
- ➔ Whether or not there is a grounded connection with the analog turntable can affect how noise is heard.

## No sound is output.

- ➔ If a stereo amplifier is connected to this unit, adjust the volume on the amplifier.
- ➔ If the indicator above the MEASURE button is lit, press the MEASURE button to turn it off.
- ➔ Check the load impedance setting (page 11).
- ➔ Reconfirm the connections between equipment.

## Sound is odd or breaks up.

- ➔ Check the connectors connected to the amplifier.  
Connect this unit to the LINE IN or other audio input connectors on the amplifier.
- ➔ Check the load impedance setting (page 11).
- ➔ Set the GAIN switch to LOW.
- ➔ When connected to an analog turntable that has a built-in phono equalizer amplifier, turn off the output of the phono equalizer amplifier.

## Volume is low.

- ➔ Check the load impedance setting (page 11).
- ➔ Set the GAIN switch to HIGH.

## The white noise level is too high.

- ➔ Check the audio cables connected to the analog turntable.
- ➔ When using an MC cartridge, the load impedance setting can affect the noise sound.

Since this unit uses a microcontroller, external noise and other interference can cause the unit to malfunction. If this occurs, unplug the power cord, wait for a while, and then turn the unit on again and restart operations.

# Specifications

## Inputs

RCA connectors	1 pair (for MC/MM)
XLR connectors	1 pair (for MC)
Input impedance	
MC	10 Ω, 22 Ω, 47 Ω, 100 Ω, 220 Ω, 470 Ω, 1 kΩ (switchable using setting knob)
MM	47 kΩ
Load capacity	0 pF, 100 pF, 220 pF, 330 pF (switchable using setting knob)

## Outputs

RCA connectors	1 pair
XLR connectors	1 pair
Output impedance	
RCA connectors	63 Ω
XLR connectors	126 Ω

## Audio performance

Rated output voltage	
RCA output	2 Vrms
XLR output	4 Vrms
RIAA deviation (20 Hz – 20 kHz)	±0.05 dB
Total harmonic distortion	
Rated output, 1 kHz, GAIN LOW	
RCA input (MM)	0.002%
RCA input (MC)	0.02%
XLR input (MC)	0.02%
Residual noise voltage (input shorted, GAIN LOW, IHF-A)	
RCA input (MM)	10 μV
RCA input (MC)	65 μV
XLR input (MC)	85 μV
S/N ratio (input shorted, rated output, GAIN LOW, IHF-A)	
RCA input (MM)	106 dB
XLR input (MC)	86 dB
Channel separation (MM, 10 kHz, GAIN LOW)	–90 dB or higher
Gain	
GAIN LOW	
RCA input (MM)	34 dB
RCA input (MC)	54 dB
XLR input (MC)	54 dB
GAIN HIGH	
RCA input (MM)	46 dB
RCA input (MC)	66 dB
XLR input (MC)	66 dB
Subsonic filter	17 Hz, –24 dB/octave

Maximum permissible input voltage (distortion 0.1%, GAIN LOW)	
RCA input (MM)	150 mV
RCA input (MC)	16 mV
XLR input (MC)	16 mV

## General

Power supply	
Model for Europe	AC 220–240 V, 50/60 Hz
Model for USA/Canada	AC 120 V, 60 Hz
Power consumption	14 W
External dimensions (W × H × D, including protrusions)	290 × 84.5 × 252.5 mm (11 1/2" × 3 3/8" × 10")
Weight	4.5 kg (10 lb)

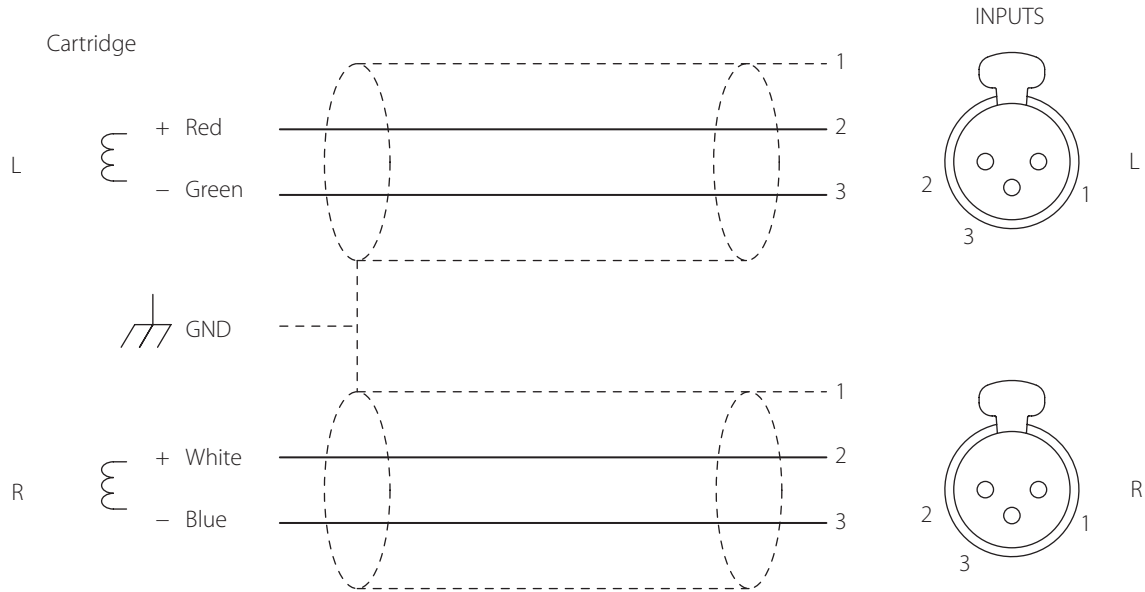
## Included accessories

- Power cord × 1
- Rubber pads × 3
- Owner's manual (this document, including warranty) × 1
- For information about the warranty, users living in the USA and Canada should see pages 44–45 and the back cover (warranty document). Users living in Europe and other regions should see page 45.
- Specifications and appearance are subject to change without notice.
- Weight and dimensions are approximate.
- Illustrations in this owner's manual might differ slightly from production models.

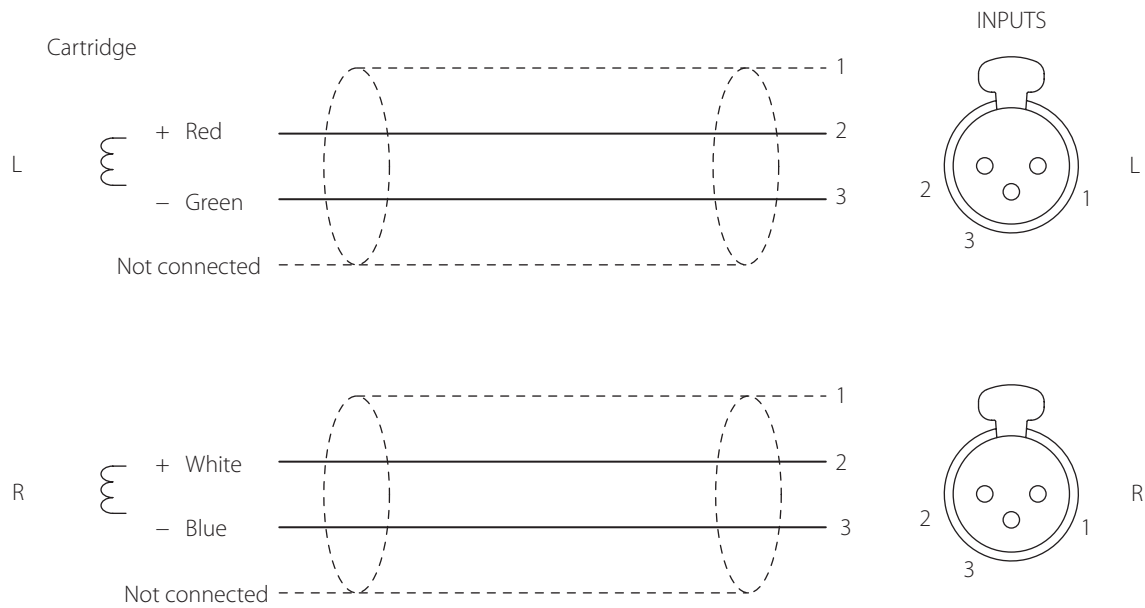
# XLR cable connection diagrams

When using XLR cables with this unit, use one of the following types of connections.

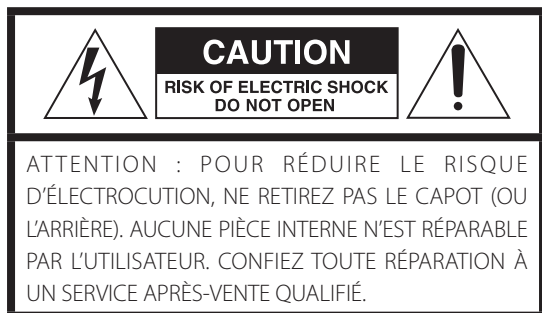
## Type 1



## Type 2



# INSTRUCTIONS DE SÉCURITÉ IMPORTANTES



Le symbole d'éclair à tête de flèche dans un triangle équilatéral sert à prévenir l'utilisateur de la présence dans l'enceinte du produit d'une « tension dangereuse » non isolée d'une grandeur suffisante pour constituer un risque d'électrocution pour les personnes.



Le point d'exclamation dans un triangle équilatéral sert à prévenir l'utilisateur de la présence d'instructions importantes de fonctionnement et de maintenance (entretien) dans les documents accompagnant l'appareil.

**AVERTISSEMENT : POUR PRÉVENIR LES RISQUES D'INCENDIE ET D'ÉLECTROCUTION, N'EXPOSEZ PAS CET APPAREIL À LA PLUIE NI À L'HUMIDITÉ.**

## ATTENTION

- NE RETIREZ PAS LES CAPOTS EXTERNES OU BOÎTIERS POUR EXPOSER L'ÉLECTRONIQUE. AUCUNE PIÈCE INTERNE N'EST RÉPARABLE PAR L'UTILISATEUR.
- SI VOUS RENCONTREZ DES PROBLÈMES AVEC CE PRODUIT, CONTACTEZ LE MAGASIN OÙ VOUS AVEZ ACHETÉ L'UNITÉ. N'UTILISEZ PAS LE PRODUIT TANT QU'IL N'A PAS ÉTÉ RÉPARÉ.
- L'UTILISATION DE COMMANDES, DE RÉGLAGES OU LE SUIVI DE PROCÉDURES AUTRES QUE CE QUI EST DÉCRIT DANS CE DOCUMENT PEUT PROVOQUER UNE EXPOSITION À UN RAYONNEMENT DANGEREUX.

- 1) Lisez ces instructions.
  - 2) Conservez ces instructions.
  - 3) Tenez compte de tous les avertissements.
  - 4) Suivez toutes les instructions.
  - 5) N'utilisez pas cet appareil avec de l'eau à proximité.
  - 6) Ne nettoyez l'appareil qu'avec un chiffon sec.
  - 7) Ne bloquez aucune ouverture de ventilation. Installez-le conformément aux instructions du fabricant.
  - 8) N'installez pas l'appareil près de sources de chaleur telles que des radiateurs, bouches de chauffage, poêles ou autres appareils (y compris des amplificateurs) dégageant de la chaleur.
  - 9) Ne neutralisez pas la fonction de sécurité de la fiche polarisée ou de terre. Une fiche polarisée a deux broches, l'une plus large que l'autre. Une fiche de terre a deux broches identiques et une troisième broche pour la mise à la terre. La broche plus large ou la troisième broche servent à votre sécurité. Si la fiche fournie n'entre pas dans votre prise, consultez un électricien pour le remplacement de la prise obsolète.
  - 10) Évitez de marcher sur le cordon d'alimentation et de le pincer, en particulier au niveau des fiches, des prises secteur, et du point de sortie de l'appareil.
  - 11) N'utilisez que des fixations/accessoires spécifiés par le fabricant.
  - 12) Utilisez-le uniquement avec des chariots, socles, trépieds, supports ou tables spécifiés par le fabricant ou vendus avec l'appareil. Si un chariot est utilisé, faites attention à ne pas être blessé par un renversement lors du déplacement de l'ensemble chariot/appareil.
  - 13) Débranchez cet appareil en cas d'orage ou de non utilisation prolongée.
  - 14) Confiez toute réparation à des techniciens de maintenance qualifiés. Une réparation est nécessaire si l'appareil a été endommagé d'une quelconque façon, par exemple si le cordon ou la fiche d'alimentation est endommagé, si du liquide a été renversé sur l'appareil ou si des objets sont tombés dedans, si l'appareil a été exposé à la pluie ou à l'humidité, s'il ne fonctionne pas normalement, ou s'il est tombé.
- L'appareil tire un courant nominal de veille de la prise secteur quand son interrupteur POWER ou STANDBY/ON n'est pas en position ON.
  - La fiche secteur est utilisée comme dispositif de déconnexion et doit donc toujours rester disponible.
  - Des précautions doivent être prises en cas d'utilisation d'écouteurs ou d'un casque avec le produit car une pression sonore excessive (volume trop fort) dans les écouteurs ou dans le casque peut causer une perte auditive.





## ATTENTION

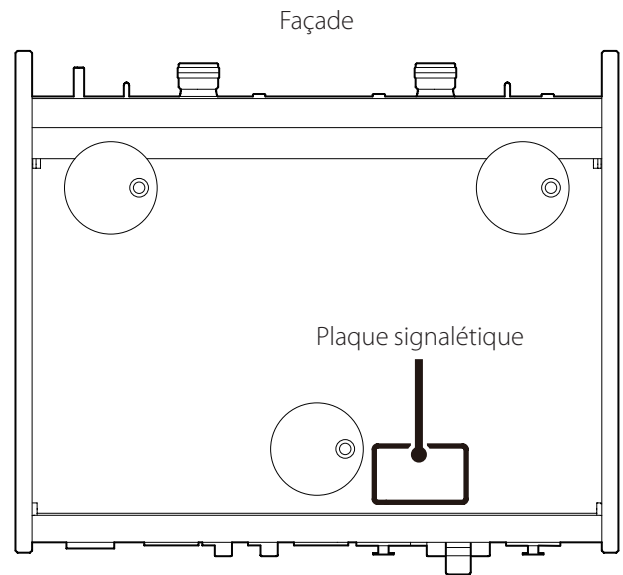
- N'exposez pas cet appareil aux gouttes ni aux éclaboussures.
- Ne placez pas d'objet rempli de liquide sur l'appareil, comme par exemple un vase.
- Les pièces en forme de poignée sur les côtés gauche et droit de la face avant sont décoratives. N'y passez pas vos doigts et ne les utilisez pas pour porter l'unité.
- N'installez pas cet appareil dans un espace confiné comme une bibliothèque ou un meuble similaire.
- L'appareil doit être placé suffisamment près de la prise de courant pour que vous puissiez à tout moment attraper facilement la fiche du cordon d'alimentation.
- Si le produit utilise des piles/batteries (y compris un pack de batteries ou des piles installées), elles ne doivent pas être exposées au soleil, au feu ou à une chaleur excessive.
- **PRÉCAUTION** pour les produits qui utilisent des batteries remplaçables au lithium : remplacer une batterie par un modèle incorrect entraîne un risque d'explosion. Remplacez-les uniquement par un type identique ou équivalent.

## AVERTISSEMENT

Les produits ayant une construction de Classe **I** sont équipés d'un cordon d'alimentation avec une fiche de terre. Le cordon d'un tel produit doit être branché dans une prise secteur avec terre de sécurité.

**AUX USA/CANADA, UTILISEZ UNIQUEMENT UNE TENSION D'ALIMENTATION DE 120 V.**

La plaque signalétique se trouve sous l'unité comme représenté ci-dessous.



# INSTRUCTIONS DE SÉCURITÉ IMPORTANTES (suite)

## Modèle pour le Canada

Déclaration de conformité d'Innovation, Sciences et Développement économique Canada :  
CET APPAREIL NUMÉRIQUE DE LA CLASSE B EST CONFORME À LA NORME NMB-003 DU CANADA



## Modèle pour l'Europe



Ce produit est conforme aux directives européennes et aux autres réglementations de la Commission européenne.

## Pour les consommateurs européens

### Mise au rebut des équipements électriques et électroniques et des piles et/ou accumulateurs

- Tout équipement électrique/électronique et pile/accumulateur hors d'usage doit être traité séparément de la collecte municipale d'ordures ménagères dans des points de collecte désignés par le gouvernement ou les autorités locales.
- En vous débarrassant correctement des équipements électriques/électroniques et piles/accumulateurs hors d'usage, vous contribuez à la sauvegarde de précieuses ressources et à la prévention de potentiels effets négatifs sur la santé humaine et l'environnement.
- Le traitement incorrect des équipements électriques/électroniques et piles/accumulateurs hors d'usage peut avoir des effets graves sur l'environnement et la santé humaine en raison de la présence de substances dangereuses dans les équipements.
- Le symbole de déchets d'équipements électriques et électroniques (DEEE), qui représente une poubelle à roulettes barrée d'une croix, indique que les équipements électriques/électroniques et piles/accumulateurs doivent être collectés et traités séparément des déchets ménagers.  
  
Si une pile ou un accumulateur contient plus que les valeurs de plomb (Pb), mercure (Hg) et/ou cadmium (Cd) spécifiées dans la directive sur les piles et accumulateurs (2006/66/CE, 2013/56/UE), alors les symboles **Pb, Hg, Cd** chimiques de ces éléments seront indiqués sous le symbole DEEE.  

- Des systèmes de retour et de collecte sont disponibles pour l'utilisateur final. Pour des informations plus détaillées sur la mise au rebut des vieux équipements électriques/électroniques et piles/accumulateurs hors d'usage, veuillez contacter votre mairie, le service d'ordures ménagères ou le magasin dans lequel vous avez acquis l'équipement.

# Sommaire

---

Nous vous remercions d'avoir choisi TEAC.

Lisez ce mode d'emploi avec attention pour tirer les meilleures performances de cette unité.

Après l'avoir lu, gardez-le en lieu sûr pour vous y référer ultérieurement.

INSTRUCTIONS DE SÉCURITÉ IMPORTANTES.....	16
Accessoires fournis .....	20
Avant l'utilisation .....	20
Note sur les pieds de découplage .....	21
Entretien .....	21
Utilisation du site mondial TEAC .....	21
Branchements.....	22
Utilisation d'un câble de conversion RCA-XLR pour la connexion symétrique d'une cellule MC .....	23
Exemple de câble de conversion RCA-XLR .....	23
Parties et fonctions de la face avant.....	24
Fonctionnement de base .....	25
Mise sous tension .....	25
Mise de l'unité en veille.....	25
Réglage de l'impédance de charge .....	25
Mesure de l'impédance d'une cellule MC .....	25
Emploi de la fonction de démagnétisation facile.....	26
Fonction d'économie automatique d'énergie .....	26
Restauration des réglages par défaut .....	26
Guide de dépannage.....	27
Caractéristiques techniques.....	28
Schémas de connexion des câbles XLR .....	29

FR

---

Les noms de société et de produit et les logos présents dans ce document sont des marques de commerce ou déposées de leurs détenteurs respectifs.

## Accessoires fournis

---

Vérifiez que l'emballage contient bien tous les éléments indiqués ci-dessous.

Veillez contacter le magasin dans lequel vous avez acheté cette unité si l'un de ces éléments manque ou a été endommagé durant le transport.

### **Cordon d'alimentation × 1**

### **Patins en caoutchouc × 3**

### **Mode d'emploi (ce document, y compris la garantie) × 1**

- Pour plus d'informations sur la garantie, les utilisateurs vivant aux États-Unis et au Canada doivent consulter les pages 44–45 et le dos de la couverture (document de garantie). Les utilisateurs vivant en Europe et dans d'autres régions doivent consulter la page 45.

## Avant l'utilisation

---

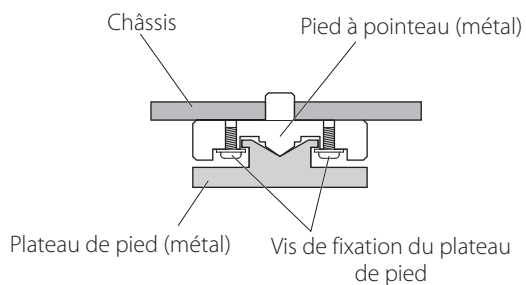
### **Précautions concernant l'emplacement**

- Ne placez rien sur l'unité.
- N'installez pas cette unité dans un lieu qui pourrait chauffer. Cela comprend les endroits exposés directement au soleil ou près d'un radiateur, d'un chauffage, d'une cuisinière ou d'autres appareils chauffants. Ne l'installez pas au-dessus d'un amplificateur ou d'un équipement pouvant dégager une chaleur qui dépasse la température de fonctionnement de cette unité. Cela pourrait causer une décoloration, une déformation ou un mauvais fonctionnement.
- Placez l'unité dans un endroit stable.
- Quand vous installez cette unité, laissez un peu d'espace (au moins 3 cm) entre elle et les murs et d'autres appareils afin de permettre une bonne dissipation thermique.  
Si vous la placez par exemple sur une étagère, laissez au moins 5 cm de libre au-dessus de l'unité et 10 cm derrière elle.  
Ne pas laisser ces espaces peut faire monter la température au risque d'entraîner un incendie.
- Ne déplacez pas l'unité durant l'utilisation.
- En raison du poids de l'unité, prenez garde à ne pas vous blesser quand vous la déplacez. Faites vous aider si nécessaire quand vous la déplacez.
- La tension fournie à l'unité doit correspondre à la tension imprimée sous l'unité. Si vous avez des doutes à ce sujet, consultez un électricien.
- N'ouvrez pas le boîtier de l'unité car cela peut endommager les circuits ou causer un choc électrique. Si un objet étranger pénètre dans l'unité, consultez votre revendeur.
- Quand vous débranchez le cordon d'alimentation de la prise secteur, tirez toujours sur sa fiche, jamais sur le cordon.

## Note sur les pieds de découplage

Des pieds à pointeau métallique de haute précision sont solidement fixés à la plaque inférieure de cette unité.

Leur plateau de protection n'est pas fixé de façon rigide, mais quand l'unité est posée à sa place, elle est soutenue par ces pieds à pointeau, qui dispersent efficacement les vibrations.



- Les patins de caoutchouc fournis sont destinés à protéger la surface sur laquelle est placée l'unité. Collez-les sous les pieds.

## Entretien

Essuyez les saletés du capot supérieur et des autres surfaces au moyen d'un chiffon doux légèrement humidifié avec un nettoyant neutre dilué.

N'utilisez pas de lingettes de nettoyage imbibées de produit chimique, de diluant ou d'autres agents chimiques. Cela pourrait endommager la surface.

**⚠ Pour votre sécurité, débranchez le cordon d'alimentation de la prise secteur avant tout nettoyage.**

FR

## Utilisation du site mondial TEAC

Vous pouvez télécharger des mises à jour pour cette unité depuis le site mondial TEAC :

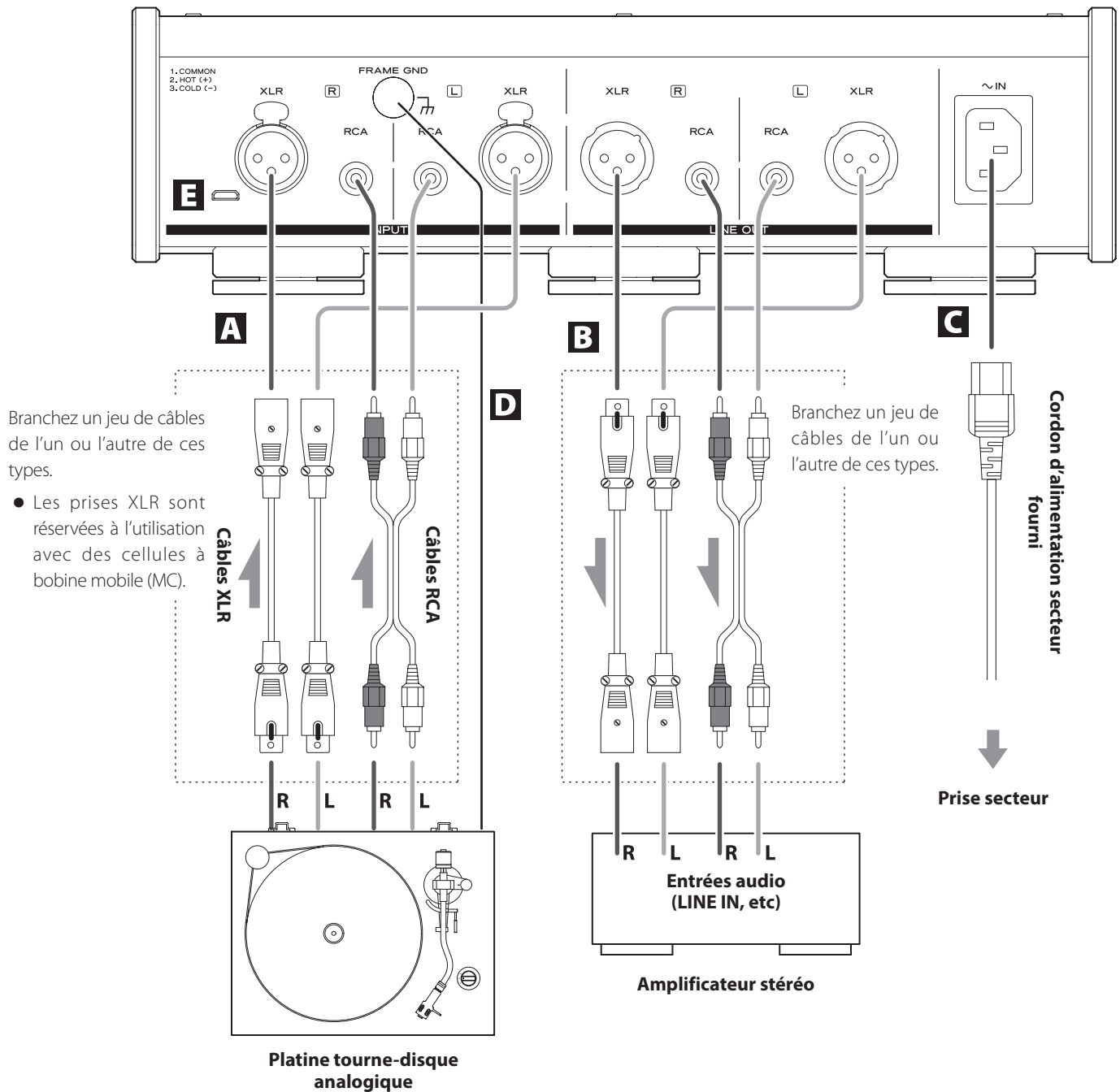
**<https://teac-global.com>**

Dans la section TEAC Downloads (téléchargements TEAC), cliquez sur la langue souhaitée afin d'ouvrir la page de téléchargement du site web pour cette langue.

# Branchements

**⚠ Terminez tous les branchements avant de mettre l'unité sous tension.**

- Lisez attentivement les modes d'emploi des appareils que vous branchez et suivez leurs instructions quand vous faites les branchements.
- Ne regroupez pas les câbles de connexion avec des cordons d'alimentation. Cela pourrait entraîner des bruits.
- Branchez à fond toutes les fiches.



## A Prises d'entrée phono (INPUTS)

Connectez-y les sorties audio d'une platine tourne-disque analogique.

- Les prises XLR sont réservées à l'utilisation avec des cellules à bobine mobile (MC).

Utilisez des câbles audio pour connecter les prises R et L d'une platine tourne-disque analogique aux prises R et L correspondantes sur cette unité.

**Utilisez les types de câbles suivants, disponibles dans le commerce, pour les branchements.**

XLR : câbles XLR

RCA : câbles RCA

## B Prises de sortie audio analogique (LINE OUT)

Ces prises produisent les signaux audio.

Connectez-les aux prises d'entrée audio (p. ex. LINE IN) d'un amplificateur.

**Utilisez les types de câbles suivants, disponibles dans le commerce, pour les branchements.**

XLR : câbles XLR

RCA : câbles RCA

- Ne connectez pas les prises de sortie audio analogique de cette unité aux prises d'entrée phono d'un amplificateur. Veillez bien à les connecter à des prises d'entrée ligne.

## C Prise d'entrée d'alimentation (~IN)

Branchez ici le cordon d'alimentation fourni.

Une fois tous les autres branchements terminés, raccordez la fiche du cordon d'alimentation à une prise secteur.

**⚠ N'utilisez aucun cordon d'alimentation autre que celui fourni avec cette unité. L'utilisation d'autres cordons d'alimentation peut entraîner un incendie ou un choc électrique.**

**⚠ Débranchez le cordon de la prise secteur en cas de non-utilisation prolongée de l'unité.**

## D Borne de mise à la masse (FRAME GND)

Connectez un câble de sortie audio d'une platine tourne-disque analogique à la borne de mise à la masse.

Connecter également la borne de mise à la masse à l'amplificateur peut améliorer la qualité du son.

- Ne pas connecter la borne de mise à la masse d'une platine tourne-disque analogique peut engendrer un ronflement (un bruit grave continu).

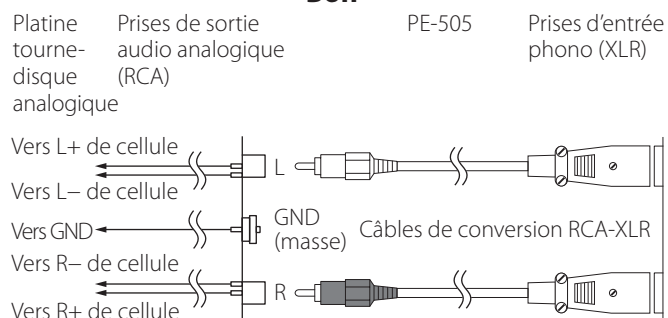
## E Port de maintenance

Sert à la maintenance. N'y branchez rien sauf si vous êtes invité à le faire par notre service après-vente.

## Utilisation d'un câble de conversion RCA-XLR pour la connexion symétrique d'une cellule MC

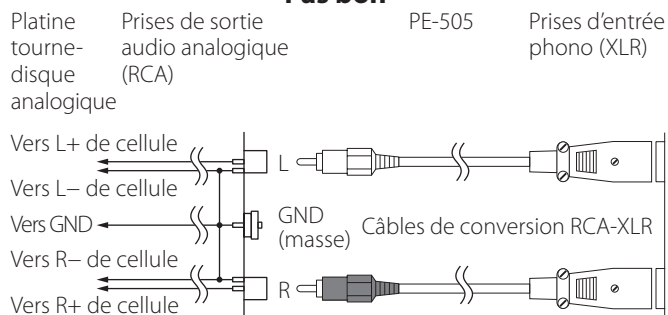
Si vous utilisez un câble de conversion RCA-XLR pour la connexion symétrique d'une cellule MC, seuls les types de platines analogiques suivants peuvent être connectés à cette unité : platines dans lesquelles le – de la cellule et la masse (GND) du bras de lecture ne sont pas connectés dans la platine tourne-disque et celles dans lesquelles les L/R – sont isolés.

### Bon



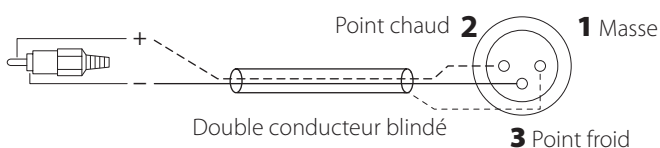
Si les L/R – et la masse (GND) du bras de lecture sont connectés dans la platine tourne-disque analogique, un ronflement peut se faire entendre.

### Pas bon



- Quand les L/R – et la masse (GND) du bras de lecture sont connectés dans la platine tourne-disque analogique, l'utilisation d'un câble de conversion RCA-XLR peut ne pas réduire le ronflement.
- En cas de connexion à une platine tourne-disque analogique intégrant déjà un amplificateur égaliseur phono, désactivez la sortie de l'amplificateur égaliseur phono durant l'utilisation.

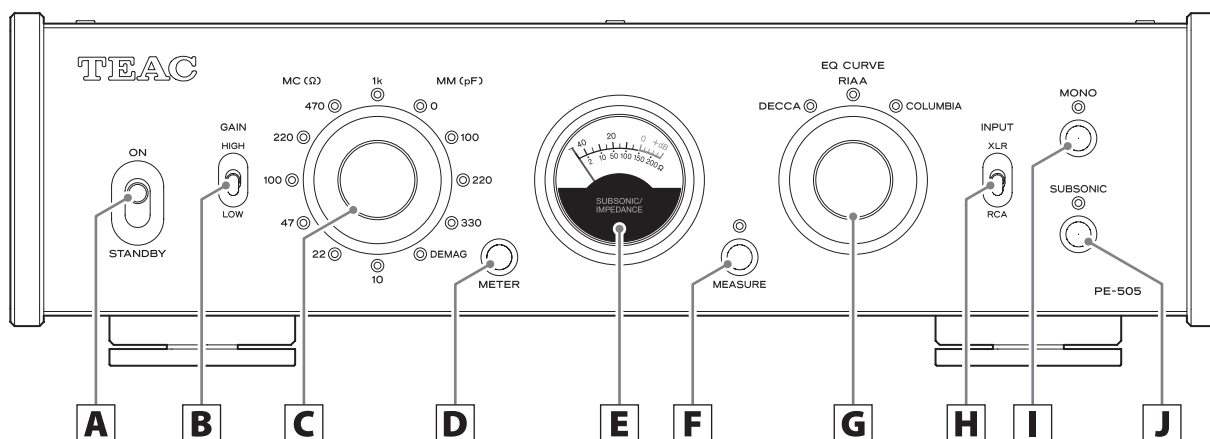
## Exemple de câble de conversion RCA-XLR



### ATTENTION

Les câbles de conversion RCA-XLR dont le point froid sur RCA est connecté à la broche 1 ou aux broches 1 et 3 sur XLR ne peuvent pas être utilisés.

## Parties et fonctions de la face avant



### A Interrupteur STANDBY/ON

Utilisez-le pour mettre l'unité en veille ou pour l'allumer.

### B Sélecteur GAIN

Utilisez-le pour changer le gain de l'amplificateur. Réglez-le d'abord sur LOW (bas) et vérifiez le volume. Si le volume est trop faible, réglez-le sur HIGH (haut). HIGH donne une sortie dont le gain est supérieur de 12 dB à celui obtenu avec LOW.

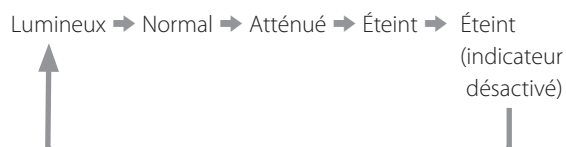
### C Bouton de sélection d'impédance

Réglez l'impédance de charge en fonction du type de cellule (MC/MM) utilisé par la platine tourne-disque analogique connectée (page 25).

- Le voyant de l'impédance sélectionnée s'allume.
- Si le sélecteur INPUT est réglé sur XLR, il n'est pas possible de sélectionner les réglages pour cellule MM. Les prises XLR sont réservées à l'utilisation avec des cellules à bobine mobile (MC).

### D Touche METER

Appuyez sur cette touche pour changer la luminosité de l'indicateur de niveau dans l'ordre suivant.



### E Indicateur de niveau

Il affiche le volume des fréquences subsoniques (6 Hz et moins). Lors de la mesure, il indique l'impédance de la cellule MC (page 25).

### F Touche MEASURE

Utilisez-la pour mesurer l'impédance de la cellule MC.

- Le voyant au-dessus de la touche s'allume pendant la mesure.
- Le son lu n'est pas produit durant la mesure d'impédance.

### G Bouton de sélection EQ CURVE

Sélectionnez avec lui la courbe de correction qui sonne de façon naturelle en fonction du disque lu. Les options sont RIAA (courbe pour la lecture d'un 33 tours ou LP stéréo), DECCA (LP DECCA) et COLUMBIA (LP Columbia) (page 25).

### H Sélecteur INPUT

Sélectionnez les prises qui sont connectées à la platine tourne-disque analogique.

### I Touche MONO

Activez-la en cas d'utilisation d'une cellule mono.

- Le voyant au-dessus de cette touche s'allume quand elle est activée.

### J Touche de filtre subsonique (SUBSONIC)

L'enclencher applique un filtre ayant une fréquence de coupure de 17 Hz et une pente de  $-24$  dB/oct.

Lors de la lecture d'un disque gondolé, activer ce filtre peut réduire les mouvements de woofer inutiles.

- Le voyant au-dessus de cette touche s'allume quand elle est activée.



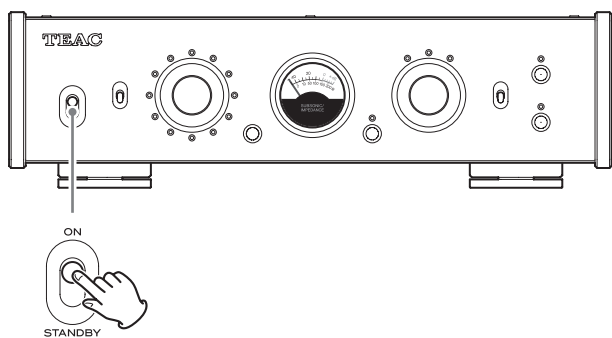
# Fonctionnement de base

## Mise sous tension

### 1 Ramenez le volume de l'amplificateur au minimum.

Si vous utilisez un appareil dont le volume ne peut pas être réglé lorsqu'il est éteint, réduisez le volume après l'avoir allumé.

### 2 Réglez le commutateur STANDBY/ON sur ON.



- Si le voyant au-dessus de la touche MEASURE est allumé, appuyez sur la touche MEASURE pour l'éteindre.

### 3 Lisez un disque et réglez le volume sur l'amplificateur.

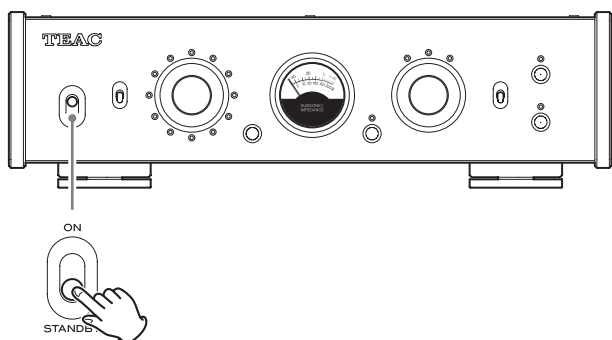
### 4 Utilisez le bouton de sélection EQ CURVE pour choisir la courbe qui sonne de façon naturelle en fonction du disque lu.

## Mise de l'unité en veille

### 1 Si un disque est en cours de lecture, arrêtez la lecture.

### 2 Ramenez le volume de l'amplificateur au minimum.

### 3 Réglez le commutateur STANDBY/ON sur STANDBY.



### 4 Éteignez l'amplificateur.

## Réglage de l'impédance de charge

### Avec une cellule à bobine mobile (MC)

Si la cellule à bobine mobile MC utilisée a une résistance de charge (impédance de charge) recommandée, faites un réglage proche de cette valeur. Sinon, sélectionnez la valeur qui donne la meilleure qualité sonore. Plus la résistance de charge est faible, plus le volume est faible. Des résistances de charge plus élevées augmenteront le volume.

100  $\Omega$  est une résistance de charge standard.

- Cette résistance de charge ne se réfère pas à la résistance interne de la cellule (impédance interne, impédance de bobine).
- Choisissez une résistance de charge suffisamment élevée pour la résistance interne de la cellule utilisée.
- Sélectionner une résistance de charge d'une grandeur insuffisante par rapport à la résistance interne de la cellule réduira le volume sonore et augmentera le bruit.

### Avec une cellule à aimant mobile (MM)

Si la cellule MM utilisée a une capacité de charge recommandée, essayez de régler la commande sur une position proche de cette valeur.

## Mesure de l'impédance d'une cellule MC

Utilisez une onde sinusoïdale à 1 kHz pour mesurer l'impédance de l'ensemble du circuit incluant la cellule MC et le câble qui relie la platine analogique à cet appareil. Réglez l'unité pour qu'elle reçoive une impédance de charge correspondant environ au double de l'impédance déterminée par la mesure.

### 1 Éloignez du disque le bras de lecture de la platine analogique.

### 2 Appuyez sur la touche MEASURE et son voyant s'allumera.

- L'indicateur de niveau deviendra automatiquement lumineux.

### 3 Lisez l'impédance dans la graduation du bas de l'indicateur de niveau.

#### ATTENTION

- L'impédance et la capacité de charge d'une cellule MM ne peuvent pas être mesurées.
- Ne mesurez pas l'impédance durant la lecture d'un disque.
- Le son lu n'est pas produit durant la mesure d'impédance.

# Fonctionnement de base

## Emploi de la fonction de démagnétisation facile

Faire appel à la fonction de démagnétisation facile pour démagnétiser par exemple les cellules MC à noyau en fer et les transformateurs élévateurs peut améliorer la qualité sonore en donnant un son plus clair doté d'une plus grande définition.

### 1 Réglez le bouton de sélection d'impédance sur DEMAG.

L'impédance de charge est réglée à 0  $\Omega$  et les deux extrémités de la cellule sont court-circuitées.

### 2 Lisez un disque.

Le signal de lecture passe au travers de la cellule et la démagnétise.

- La démagnétisation prend environ 30 secondes. Continuez la lecture du disque pendant environ 30 secondes.
- Le son n'est pas produit lorsque le bouton de sélection d'impédance est réglé sur DEMAG.

### 3 Ramenez le bouton de sélection d'impédance sur sa position précédente.

## Caractéristiques de la courbe d'égaliseur (constante de temps)

### RIAA

3180  $\mu$ s/318  $\mu$ s/75  $\mu$ s

### Decca (LP DECCA)

1590  $\mu$ s/318  $\mu$ s/60  $\mu$ s

### Columbia (LP Columbia)

1590  $\mu$ s/318  $\mu$ s/100  $\mu$ s

- Les opinions sur les courbes d'égaliseur sont très variées.
- Essayez de changer de courbe si le son vous semble peu naturel lorsque vous utilisez la courbe RIAA pour lire un vieux disque, même un LP (33 tours) stéréo.

## Fonction d'économie automatique d'énergie

Cette unité a une fonction d'économie automatique d'énergie.

- Ce paramètre est activé en sortie d'usine.

### Si l'économie automatique d'énergie est activée

L'unité passe en veille ou standby\* si aucune opération n'est effectuée durant environ 30 minutes.

Faire fonctionner l'unité alors qu'elle est en mode de veille la réactive et désactive la fonction d'économie automatique d'énergie.

### Si l'économie automatique d'énergie est désactivée

L'unité ne passe pas automatiquement en veille.

\*En veille, la consommation électrique est de 0,5 W ou moins.

## Vérification du réglage

Si la fonction d'économie automatique d'énergie est désactivée, tous les indicateurs d'impédance s'allument momentanément lorsque l'unité est mise en marche.

## Réglage de la fonction d'économie automatique d'énergie

Utilisez la procédure suivante mettre en ou hors service la fonction d'économie automatique d'énergie.

Tout en maintenant pressée la touche MEASURE, réglez le commutateur STANDBY/ON sur ON. Maintenez la touche MEASURE pressée jusqu'à ce que tous les voyants s'allument (environ trois secondes).

## Restauration des réglages par défaut

Tout en maintenant pressée la touche METER, réglez le commutateur STANDBY/ON sur ON. Maintenez la touche METER pressée jusqu'à ce que tous les voyants s'allument (environ trois secondes).

# Guide de dépannage

Si vous rencontrez un problème avec cette unité, veuillez prendre un moment pour lire les informations suivantes avant de solliciter une réparation. Si cette unité ne fonctionne toujours pas correctement, contactez le revendeur chez qui vous l'avez achetée.

## L'unité ne s'allume pas.

- ➔ Vérifiez que le cordon d'alimentation est enfoncé à fond dans la prise secteur. Si la prise a un commutateur, vérifiez que celui-ci est en position ON.
- ➔ Branchez un autre appareil électrique à la prise pour vérifier qu'elle fournit bien du courant.
- ➔ Si la fonction d'économie automatique d'énergie a mis l'unité en veille, ramenez le commutateur STANDBY/ON sur STANDBY puis remettez-le sur ON.

## Il y a un bruit de ronflement.

- ➔ Si un câble de liaison est proche d'un cordon d'alimentation, d'un éclairage fluorescent ou d'une cause de parasites similaire, écartez-les autant que possible l'un de l'autre.
- ➔ Vérifiez le câble reliant la platine tourne-disque analogique à la borne de mise à la masse (FRAME GND) de cette unité.
- ➔ La présence ou non d'une connexion de masse avec la platine tourne-disque analogique peut jouer sur le bruit entendu.

## Aucun son n'est produit.

- ➔ Si un amplificateur stéréo est branché à cette unité, réglez le volume sur l'amplificateur.
- ➔ Si le voyant au-dessus de la touche MEASURE est allumé, appuyez sur la touche MEASURE pour l'éteindre.
- ➔ Vérifiez le réglage d'impédance de charge (page 25).
- ➔ Re-vérifiez les branchements entre les équipements.

## Le son est bizarre ou s'interrompt.

- ➔ Vérifiez les connecteurs branchés à l'amplificateur. Connectez cette unité à l'entrée LINE IN ou à d'autres prises d'entrée audio de l'amplificateur.
- ➔ Vérifiez le réglage d'impédance de charge (page 25).
- ➔ Réglez le sélecteur GAIN sur LOW.
- ➔ En cas de connexion à une platine tourne-disque analogique intégrant déjà un amplificateur égaliseur phono, désactivez la sortie de l'amplificateur égaliseur phono.

## Le volume est faible.

- ➔ Vérifiez le réglage d'impédance de charge (page 25).
- ➔ Réglez le sélecteur GAIN sur HIGH.

## Le niveau de bruit blanc est trop élevé.

- ➔ Vérifiez les câbles audio connectés à la platine tourne-disque analogique.
- ➔ Si vous utilisez une cellule MC, le réglage d'impédance de charge peut jouer sur le bruit.

Comme cette unité utilise un microcontrôleur, du bruit ou d'autres interférences externes peuvent entraîner son mauvais fonctionnement. Si cela se produit, débranchez le cordon d'alimentation, attendez un instant puis rallumez l'unité et relancez les opérations.

# Caractéristiques techniques

## Entrées

Prises RCA	1 paire (pour MC/MM)
Prises XLR	1 paire (pour MC)
Impédance d'entrée	
MC	10 Ω, 22 Ω, 47 Ω, 100 Ω, 220 Ω, 470 Ω, 1 kΩ (Sélection par le bouton de réglage)
MM	47 kΩ
Capacité de charge	0 pF, 100 pF, 220 pF, 330 pF (Sélection par le bouton de réglage)

## Sorties

Prises RCA	1 paire
Prises XLR	1 paire
Impédance de sortie	
Prises RCA	63 Ω
Prises XLR	126 Ω

## Performances audio

Tension de sortie nominale	
Sortie RCA	2 Vrms
Sortie XLR	4 Vrms
Déviations RIAA (20 Hz – 20 kHz)	±0,05 dB
Distorsion harmonique totale	
Sortie nominale, 1 kHz, GAIN LOW	
Entrée RCA (MM)	0,002 %
Entrée RCA (MC)	0,02 %
Entrée XLR (MC)	0,02 %
Tension de bruit résiduel (entrée court-circuitée, GAIN LOW, IHF-A)	
Entrée RCA (MM)	10 μV
Entrée RCA (MC)	65 μV
Entrée XLR (MC)	85 μV
Rapport S/B (entrée court-circuitée, sortie nominale, GAIN LOW, IHF-A)	
Entrée RCA (MM)	106 dB
Entrée XLR (MC)	86 dB
Séparation des canaux (MM, 10 kHz, GAIN LOW)	–90 dB ou plus
Gain	
GAIN LOW	
Entrée RCA (MM)	34 dB
Entrée RCA (MC)	54 dB
Entrée XLR (MC)	54 dB
GAIN HIGH	
Entrée RCA (MM)	46 dB
Entrée RCA (MC)	66 dB
Entrée XLR (MC)	66 dB
Filtre subsonique	17 Hz, –24 dB/octave

Tension d'entrée maximale admissible (distorsion 0,1 %, GAIN LOW)	
Entrée RCA (MM)	150 mV
Entrée RCA (MC)	16 mV
Entrée XLR (MC)	16 mV

## Générales

Alimentation électrique	
Modèle Europe	CA 220 – 240 V, 50/60 Hz
Modèle USA/Canada	CA 120 V, 60 Hz
Consommation électrique	14 W
Dimensions externes (L × H × P, saillies incluses)	290 × 84,5 × 252,5 mm
Poids	4,5 kg

## Accessoires fournis

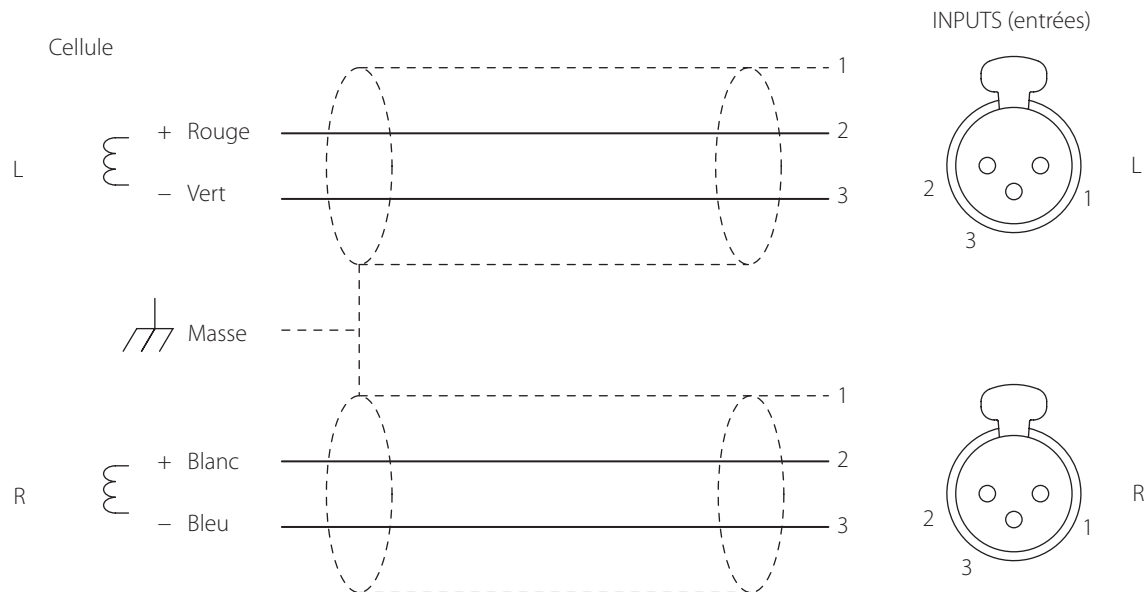
Cordon d'alimentation	× 1
Patins en caoutchouc	× 3
Mode d'emploi (ce document, y compris la garantie)	× 1

- Pour plus d'informations sur la garantie, les utilisateurs vivant aux États-Unis et au Canada doivent consulter les pages 44–45 et le dos de la couverture (document de garantie). Les utilisateurs vivant en Europe et dans d'autres régions doivent consulter la page 45.
- Caractéristiques techniques et aspect sont sujets à changements sans préavis.
- Le poids et les dimensions sont des valeurs approchées.
- Les illustrations de ce mode d'emploi peuvent légèrement différer des modèles de production.

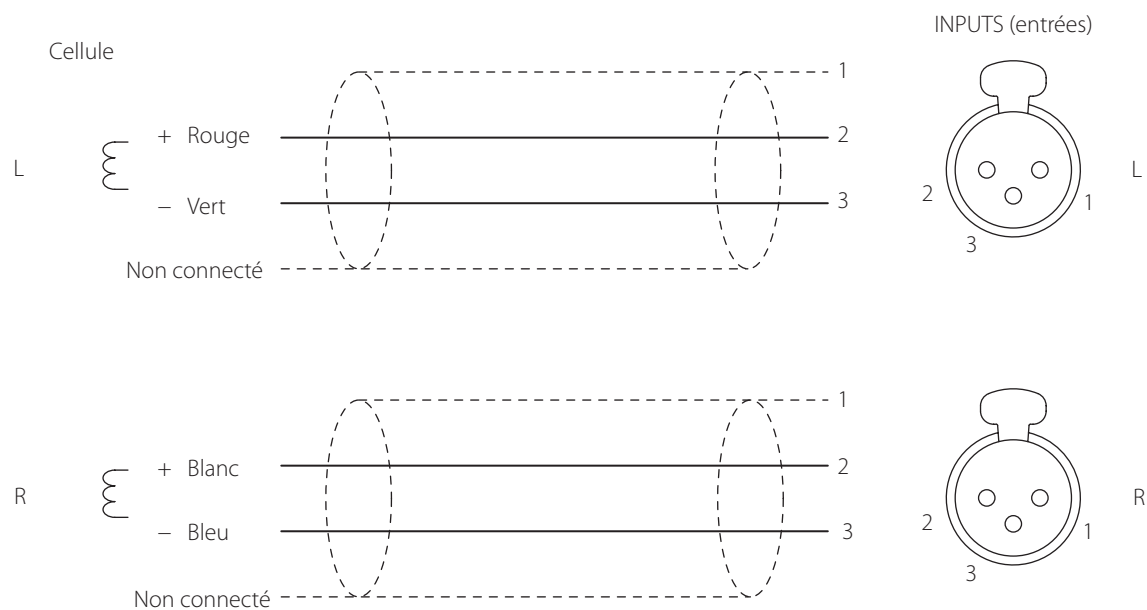
# Schémas de connexion des câbles XLR

Lorsque vous utilisez des câbles XLR avec cette unité, faites appel à l'un des types de connexion suivants.

## Type 1



## Type 2



# INSTRUCCIONES IMPORTANTES DE SEGURIDAD



El símbolo del rayo acabado en flecha dentro de un triángulo equilátero alerta al usuario de la presencia de un "voltaje peligroso" sin aislar dentro de la carcasa del producto que puede ser de magnitud suficiente como para constituir riesgo de descarga eléctrica para las personas.



El signo de exclamación dentro de un triángulo equilátero alerta al usuario de la presencia de importantes instrucciones de funcionamiento y mantenimiento en la literatura que acompaña al aparato.

AVISO: PARA EVITAR RIESGO DE INCENDIO O DESCARGAS ELÉCTRICAS, NO EXPONGA ESTE APARATO A LA LLUVIA NI A LA HUMEDAD.

## PRECAUCIÓN

- NO quite las carcasas externas ni deje al aire la electrónica. ¡EN EL INTERIOR NO HAY PIEZAS QUE EL USUARIO PUEDA MANIPULAR!
- SI EXPERIMENTA PROBLEMAS CON ESTE PRODUCTO, PÓNGASE EN CONTACTO CON EL ESTABLECIMIENTO DONDE ADQUIRIÓ LA UNIDAD PARA SOLICITAR SERVICIO TÉCNICO. NO UTILICE EL APARATO HASTA QUE HAYA SIDO REPARADO.
- EL USO DE CONTROLES, AJUSTES O PROCEDIMIENTOS QUE NO SEAN LOS ESPECIFICADOS EN ESTE MANUAL PUEDE CAUSAR EXPOSICIÓN A RADIACIONES PELIGROSAS.

- 1) Lea estas instrucciones.
  - 2) Conserve estas instrucciones.
  - 3) Cumpla con lo indicado en los avisos.
  - 4) Siga todas las instrucciones.
  - 5) No utilice este aparato cerca del agua.
  - 6) Límpielo solo con un trapo seco.
  - 7) No bloquee ninguna de las ranuras de ventilación. Instale este aparato de acuerdo con las instrucciones del fabricante.
  - 8) No instale este aparato cerca de fuentes de calor como radiadores, calentadores, hornos u otros aparatos (incluyendo amplificadores) que produzcan calor.
  - 9) No elimine el sistema de seguridad que supone el enchufe polarizado o con toma de tierra. Un enchufe polarizado tiene dos bornes, uno más ancho que el otro. Uno con toma de tierra tiene dos bornes iguales y una tercera lámina para la conexión a tierra. El borne ancho o la lámina se incluyen para su seguridad. Si el enchufe que venga con la unidad no encaja en su salida de corriente, haga que un electricista cambie su salida anticuada.
  - 10) Evite que el cable de corriente quede de forma que pueda ser pisado o quedar retorcido o aplastado, especialmente en los enchufes, receptáculos o en el punto en el que salen del aparato.
  - 11) Use solo accesorios/complementos especificados por el fabricante.
  - 12) Utilice este aparato solo con un soporte, trípode o bastidor especificado por el fabricante o que se venda con el propio aparato. Cuando utilice un bastidor con ruedas, tenga cuidado al mover la combinación de aparato/bastidor para evitar que vuelque y puedan producirse daños.
  - 13) Desconecte este aparato de la corriente durante las tormentas eléctricas o cuando no lo vaya a usar durante un periodo de tiempo largo.
  - 14) Dirija cualquier posible reparación solo al servicio técnico oficial. Este aparato deberá ser reparado si se ha dañado de alguna forma, como por ejemplo si el cable de corriente o el enchufe están rotos, si ha sido derramado algún líquido sobre la unidad o algún objeto ha sido introducido en ella, si ha quedado expuesto a la lluvia o la humedad, si no funciona normalmente o si ha caído al suelo en algún momento.
- Este aparato libera corriente nominal no válida para el funcionamiento a través de la toma de corriente, aún cuando el interruptor de encendido y activación (POWER o STANDBY/ON) no esté en la posición de encendido (ON).
  - El enchufe que se conecta a la red es el dispositivo de desconexión, por lo que deberá permanecer siempre en perfecto estado de uso.
  - Deberá llevar cuidado si utiliza auriculares con este producto, ya que una excesiva presión sonora (volumen) procedente de los mismos puede causar pérdidas de audición.



## PRECAUCIÓN

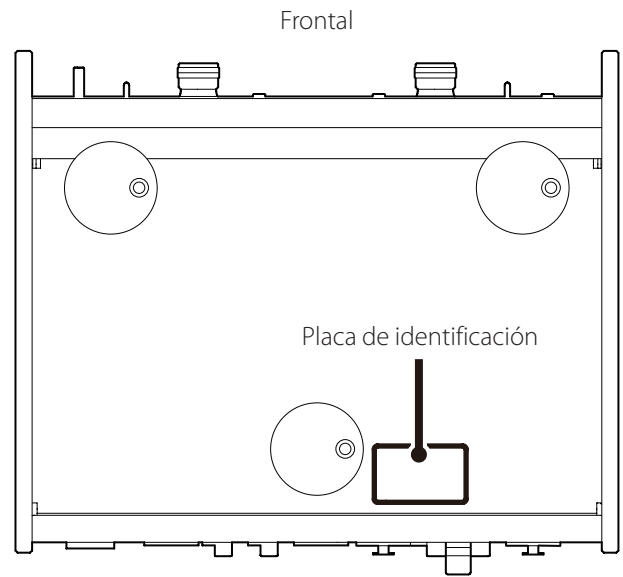
- No exponga este aparato a salpicaduras ni goteras.
- No coloque objetos que contengan líquidos, como por ejemplo jarrones, sobre el aparato.
- Las piezas con forma de asa de los lados izquierdo y derecho del panel frontal son decorativas. No meta los dedos por ellas ni las utilice para transportar la unidad.
- No instale este aparato en lugares cerrados tales como estanterías o similares.
- Este aparato debe situarse lo suficientemente cerca de una toma de electricidad como para poder alcanzar fácilmente el cable de corriente en cualquier momento.
- Si el producto utiliza pilas (esto incluye las pilas instaladas y los "packs" de pilas), se evitará su exposición directa al sol, al fuego o a cualquier otra fuente de calor excesivo.
- **PRECAUCIÓN** con los productos que emplean baterías de litio reemplazables: existe peligro de explosión si la batería se reemplaza por otra de tipo incorrecto. Reemplácela sólo por otra igual o de tipo equivalente.

## AVISO

Los productos con construcción de Clase **I** están equipados con un cable de alimentación que tiene conexión de tierra. El cable de estos productos deberá conectarse a una toma de corriente que tenga conexión de protección de tierra.

**EN EE. UU./CANADÁ, UTILICE SOLO ALIMENTACIÓN CON CORRIENTE DE 120V.**

La placa de identificación está situada en la parte inferior de la unidad como muestra la ilustración.



# INSTRUCCIONES IMPORTANTES DE SEGURIDAD (continuación)

## Modelo para EE. UU.

### Declaración de conformidad del suministrador

Número de modelo: PE-505

Marca comercial: TEAC

Parte responsable: 11 Trading Company, LLC

Dirección: 3502 Woodview Trace #200 Indianapolis, IN 46268 U.S.A.

URL: <https://11tradingcompany.com/contact-us/>

Este dispositivo cumple con el apartado 15 de las Normas de la FCC. Su funcionamiento está sujeto a las dos siguientes condiciones: (1) este dispositivo no puede causar interferencias perjudiciales y (2) este dispositivo debe aceptar cualquier interferencia recibida, incluidas interferencias que puedan causar anomalías de funcionamiento.



### Información

Se ha comprobado que este equipo cumple con los límites establecidos para los dispositivos digitales de Clase B, de acuerdo con el apartado 15 de las Normas de la FCC. Estos límites están diseñados para proporcionar una protección razonable contra interferencias perjudiciales en instalaciones residenciales. Este equipo genera, utiliza y puede irradiar energía de radiofrecuencia y, si no se instala y se utiliza de acuerdo con las instrucciones, puede causar interferencias perjudiciales en las comunicaciones por radio. Sin embargo, no se puede garantizar que dichas interferencias no se produzcan en instalaciones particulares. Si este equipo causa interferencias perjudiciales en la recepción de radio o televisión, que se comprueban apagando y encendiendo el equipo, se recomienda al usuario que intente corregirla mediante una o varias de las siguientes medidas:

- Reoriente o recoloque el equipo y/o la antena receptora.
- Aumente la separación entre el equipo y el receptor.
- Conecte el equipo a una toma de electricidad situada en un circuito eléctrico diferente al del receptor.
- Consulte al distribuidor o solicite ayuda a un técnico de radio/TV con experiencia.

### PRECAUCIÓN

Cualquier cambio o modificación efectuada en este equipo que no haya sido expresamente aprobada por la parte responsable del cumplimiento de los requisitos exigidos podría invalidar el derecho del usuario a utilizar el equipo.

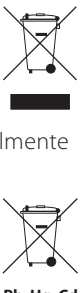
## Modelo para Europa



Este producto cumple con las exigencias de las directivas europeas y con los reglamentos de la Comisión Europea.

## Para consumidores europeos

### Deshacerse de aparatos eléctricos, electrónicos, pilas/baterías y acumuladores

- Todos los aparatos eléctricos y electrónicos, y pilas/baterías y acumuladores gastados, deben ser eliminados separados del resto de basura común y únicamente en los "puntos limpios" o bajo los procedimientos especificados por el gobierno o autoridades municipales locales.
- Con la eliminación correcta de los equipos eléctricos y electrónicos, y de pilas/baterías y acumuladores gastados, estará ayudando a conservar recursos muy valiosos y a evitar los posibles efectos negativos en la salud humana y en el medio ambiente.
- La eliminación incorrecta de los equipos eléctricos y electrónicos, y pilas/baterías y acumuladores, puede producir efectos muy dañinos en el medio ambiente y en la salud humana a causa de las sustancias peligrosas que pueden encontrarse en estos equipos.
- El símbolo de Eliminación de Aparatos Eléctricos y Electrónicos (WEEE en inglés), identificado por cubos de basura con ruedas tachados, indican que los equipos eléctricos y electrónicos, y las pilas/baterías y acumuladores, deben ser eliminados de forma totalmente independiente con respecto a la basura doméstica.  
Si una pila/batería o un acumulador contienen más cantidad de los valores especificados de plomo (Pb), mercurio (Hg), y/o cadmio (Cd) según está definido en la Directiva relativa a las pilas (2006/66/CE, 2013/56/UE), entonces los símbolos químicos correspondientes a estos elementos estarán indicados debajo del símbolo WEEE.  

- Existen sistemas para la eliminación y recogida a disposición del usuario final. Si necesita más información sobre cómo deshacerse de aparatos eléctricos y electrónicos antiguos, así como de pilas/baterías y acumuladores, póngase en contacto con su ayuntamiento, con la correspondiente empresa del servicio de recogida de residuos o con el establecimiento donde adquirió ese aparato.



# Índice

---

Gracias por elegir TEAC.

Lea este manual atentamente para obtener el mejor rendimiento de esta unidad.

Después de leerlo, guárdelo en un lugar seguro para futuras consultas.

INSTRUCCIONES IMPORTANTES DE SEGURIDAD .....	30
Accesorios incluidos .....	34
Antes de su utilización .....	34
Nota sobre las patas puntiformes .....	35
Mantenimiento .....	35
Web global de TEAC .....	35
Conexiones .....	36
Uso de un cable de conversión RCA-XLR para la conexión balanceada de una cápsula MC .....	37
Ejemplo de cable de conversión RCA-XLR .....	37
Nombres y funciones del panel frontal .....	38
Funcionamiento básico .....	39
Encendido de la unidad .....	39
Poner la unidad en reposo (standby) .....	39
Ajustar la impedancia de carga .....	39
Medición de la impedancia de una cápsula MC .....	39
Función de desmagnetización fácil .....	40
Función de ahorro de energía automático .....	40
Restablecer los ajustes predeterminados .....	40
Solución de problemas .....	41
Especificaciones .....	42
Diagramas de conexión de los cables XLR .....	43

---

Los nombres de compañías, nombres de productos y logos que aparecen en este documento son marcas comerciales o marcas comerciales registradas de sus respectivos propietarios.

## Accesorios incluidos

Compruebe que la caja contiene todos los accesorios incluidos que se muestran a continuación.

Por favor, póngase en contacto con el establecimiento donde adquirió esta unidad si falta cualquiera de estos accesorios o si alguno ha sufrido desperfectos durante el transporte.

**Cable de corriente × 1**

**Almohadillas de goma × 3**

**Manual del usuario (este documento, incluida la garantía) × 1**

- Los usuarios que vivan en EE. UU. y Canadá encontrarán información sobre la garantía en las páginas 44–45 y en la contraportada (documento de garantía). Los usuarios que vivan en Europa y otras áreas deben consultar la página 45.

## Antes de su utilización

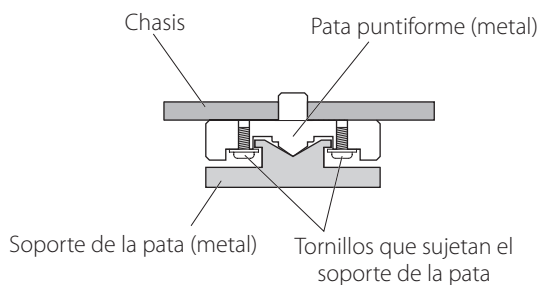
### Precauciones de emplazamiento

- No coloque nada encima de esta unidad.
- No instale esta unidad donde pueda calentarse. Esto incluye lugares que estén expuestos a la luz solar directa o cercanos a un radiador, calefactor, estufa o cualquier otro aparato de calefacción. No coloque la unidad encima de un amplificador o de otro equipo que pueda generar calor y hacer que se supere el margen de temperatura de funcionamiento de esta unidad. Si lo hace, esta unidad podría decolorarse, deformarse o sufrir una avería.
- Coloque la unidad en un lugar estable.
- Para permitir una buena disipación del calor, deje un poco de espacio (al menos 3 cm) entre esta unidad y las paredes u otros dispositivos cuando la instale.  
Si la coloca en un rack, deje libres al menos 5 cm por encima de la unidad y 10 cm por detrás.  
Si no deja estos márgenes de seguridad, el calor podría acumularse en su interior y provocar un incendio.
- No mueva la unidad durante su utilización.
- Mueva la unidad con cuidado para evitar lesiones, ya que pesa bastante. Si es necesario, pida ayuda a alguien para moverla.
- El voltaje suministrado a la unidad deberá ser el mismo que está impreso en la parte inferior de la unidad. Si tiene dudas al respecto, consulte a un electricista.
- No abra la carcasa de la unidad porque podría causar daños en los circuitos o una descarga eléctrica. En caso de que se introduzca un objeto extraño en la unidad, contacte con su distribuidor.
- Cuando desenchufe el cable de corriente de la toma de electricidad, tire siempre directamente del conector, nunca tire del cable.

## Nota sobre las patas puntiformes

Esta unidad tiene unas patas puntiformes metálicas de alta precisión que están firmemente sujetas a la placa inferior.

Los soportes de estas patas están sueltos, pero cuando se coloca la unidad sobre una superficie, son estas patas puntiformes las que soportan la unidad dispersando de manera efectiva las vibraciones.



- Las almohadillas de goma tienen la función de proteger la superficie sobre la que se sitúa la unidad. Colóquelas en la parte inferior de los soportes de las patas.

## Mantenimiento

Limpie la cubierta y los demás paneles con un paño suave ligeramente humedecido con un líquido limpiador neutro diluido.

No utilice gamuzas ni paños impregnados con productos químicos, ni disolvente u otras sustancias químicas, ya que pueden dañar la superficie de la unidad.

**⚠ Por seguridad, desenchufe el cable de corriente de la toma de corriente antes de proceder a la limpieza.**

## Web global de TEAC

Las actualizaciones correspondientes a esta unidad se pueden descargar del sitio web global de TEAC:

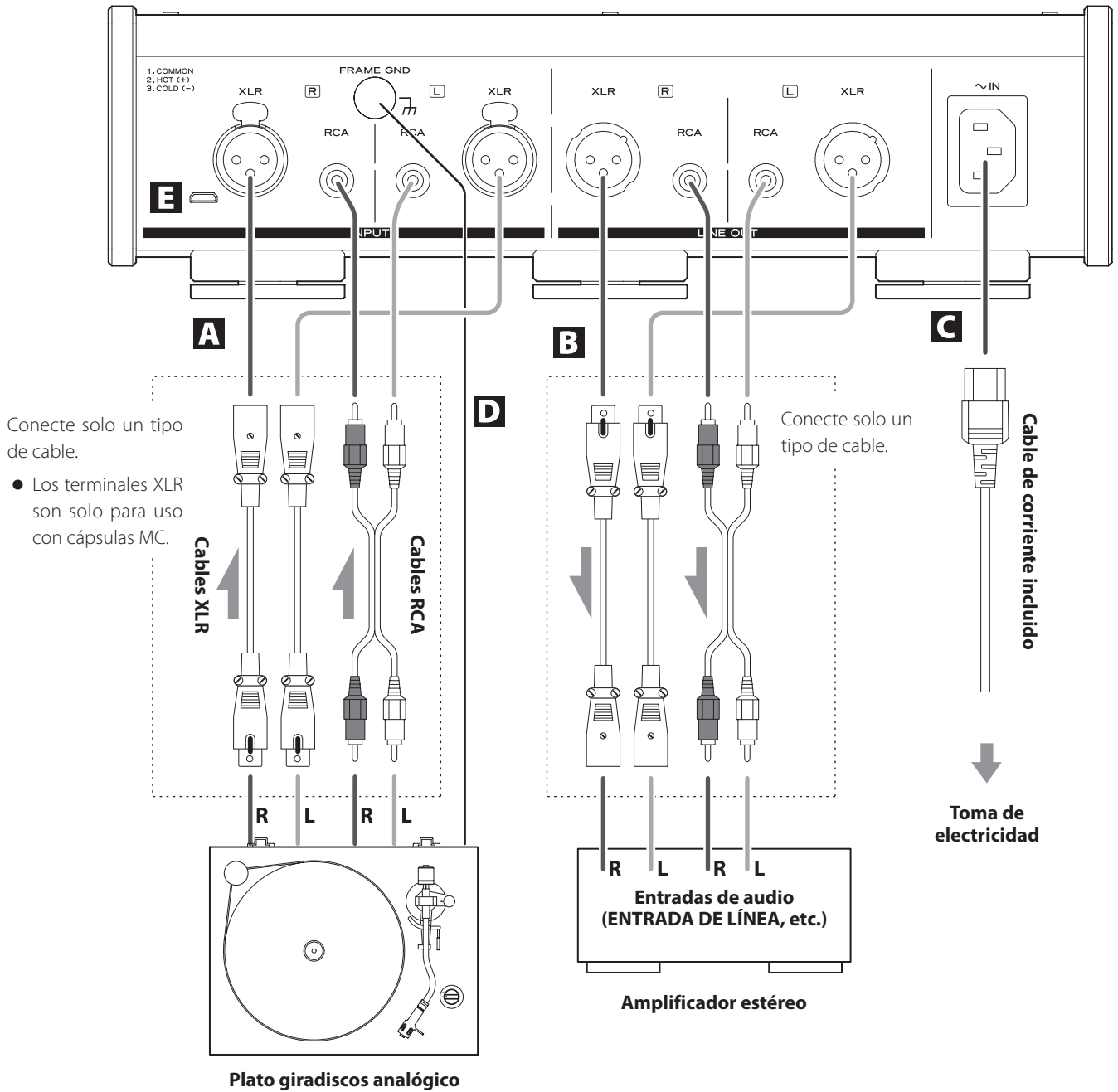
**<https://teac-global.com>**

En la sección de descargas (downloads) de TEAC, haga clic en el idioma que desee para abrir la página web de descargas correspondiente a dicho idioma.

# Conexiones

**⚠ Termine de realizar todas las conexiones antes de encender la unidad.**

- Lea atentamente los manuales de los dispositivos que está conectando y siga sus instrucciones cuando haga las conexiones.
- No agrupe los cables de las conexiones con los cables de corriente. Si lo hace, puede originarse ruido.
- Inserte todos los conectores hasta el fondo.



## A Terminales de entrada "phono" (INPUTS)

Conecte aquí las salidas de audio de un plato giradiscos analógico.

- Los terminales XLR son solo para uso con cápsulas MC.

Utilice cables de audio para conectar los terminales R (derecho) y L (izquierdo) de un plato giradiscos analógico a los correspondientes terminales R y L de esta unidad.

**Utilice los siguientes tipos de cables disponibles en el mercado para las conexiones:**

XLR: cables XLR  
RCA: cables RCA

## B Terminales de salida de audio analógico (LINE OUT)

Por estos terminales sale el audio.

Conéctelos a los terminales de entrada de audio (por ejemplo, LINE IN) de un amplificador.

**Utilice los siguientes tipos de cables disponibles en el mercado para las conexiones:**

XLR: cables XLR  
RCA: cables RCA

- No conecte los terminales de salida de audio analógico de esta unidad a los terminales de entrada "phono" de un amplificador. Asegúrese de conectarlos a los terminales de entrada de línea.

## C Entrada para el cable de corriente (~IN)

Aquí se conecta el cable de corriente suministrado. No conecte el cable de corriente a una toma de electricidad hasta que haya terminado todas las demás conexiones.

**⚠ No utilice ningún cable de corriente que no sea el incluido con esta unidad. El uso de otros cables de corriente puede ser causa de incendio o descargas eléctricas.**

**⚠ Desenchufe el cable de corriente de la toma de electricidad si no va a utilizar la unidad durante un largo periodo de tiempo.**

## D Terminal de tierra (FRAME GND)

Conecte un cable de salida de audio de un plato giradiscos analógico a este terminal de tierra.

La conexión del terminal de tierra también al amplificador podría mejorar la calidad de sonido.

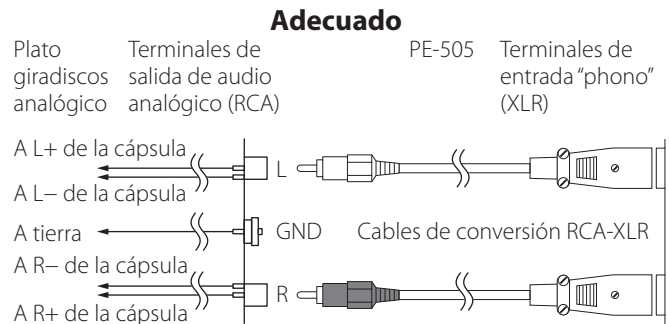
- Si no conecta aquí el terminal de tierra de un plato giradiscos, podría producirse ruido (un ruido grave continuado).

## E Puerto de mantenimiento

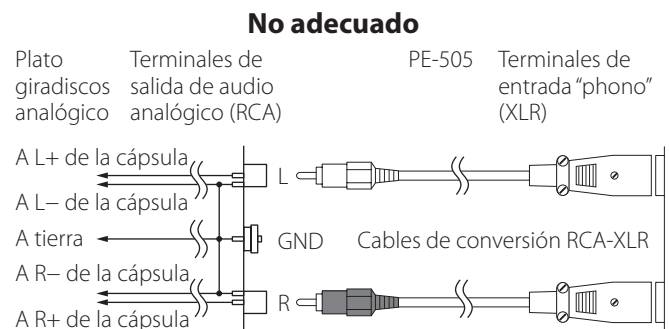
Se utiliza para mantenimiento. No conecte nada a este puerto a menos que reciba instrucciones para hacerlo por parte de nuestro servicio técnico.

## Uso de un cable de conversión RCA-XLR para la conexión balanceada de una cápsula MC

Cuando utilice un cable de conversión RCA-XLR para la conexión balanceada de una cápsula MC, solo se pueden conectar a esta unidad los siguientes tipos de platos giradiscos analógicos: platos giradiscos en los que los polos negativos (-) de la cápsula y la tierra (GND) del brazo no estén conectados en el interior, y platos giradiscos en los que los polos negativos (-) L/R (canal izquierdo/derecho) estén aislados.

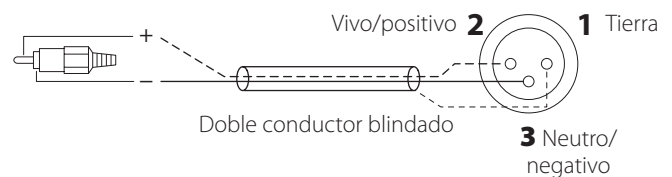


Si los polos negativos (-) L/R y la tierra (GND) del brazo están conectados en el interior del plato giradiscos analógico, podría escucharse un zumbido.



- Cuando los polos negativos (-) L/R y la tierra (GND) del brazo están conectados en el interior del plato giradiscos analógico, el uso de un cable de conversión RCA-XLR podría no reducir el zumbido.
- Cuando conecte la unidad a un plato giradiscos analógico con amplificador ecualizador "phono" incorporado, desactive la salida del amplificador ecualizador "phono" durante su utilización.

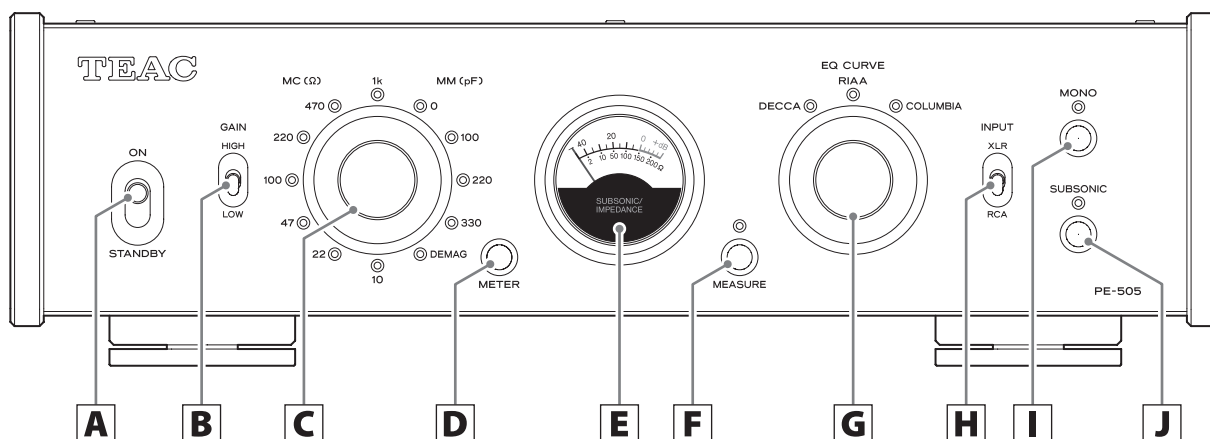
## Ejemplo de cable de conversión RCA-XLR



### ATENCIÓN

No se pueden utilizar cables de conversión que tengan el polo neutro/negativo del conector RCA conectado al pin 1 o a los pines 1 y 3 del conector XLR.

# Nombres y funciones del panel frontal



## A Interruptor STANDBY/ON

Se utiliza para poner la unidad en modo de reposo (STANDBY) o encenderla (ON).

## B Selector GAIN

Se utiliza para cambiar la ganancia del amplificador. Para empezar, ajústelo en "LOW" (baja) y compruebe el volumen. Si el volumen es demasiado bajo, ajústelo en "HIGH" (alta). El ajuste "HIGH" produce una ganancia de 12 dB más que el ajuste "LOW".

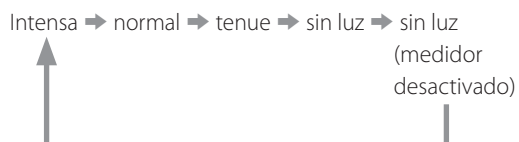
## C Mando de selección de impedancia

Con este mando se realiza el ajuste de la impedancia de carga de acuerdo al tipo de cápsula (MC/MM) que utilice el plato giradiscos analógico conectado (página 39).

- Se iluminará el indicador correspondiente a la impedancia seleccionada.
- Si el selector INPUT está ajustado en XLR, no se pueden seleccionar los ajustes de cápsulas MM. Los terminales XLR son solo para uso con cápsulas MC.

## D Botón METER

Pulse este botón para cambiar la iluminación del medidor en el siguiente orden:



## E Medidor

Muestra el volumen de las frecuencias subsónicas (6 Hz y por debajo). Durante la medición, muestra la impedancia cuando es una cápsula MC (página 39).

## F Botón MEASURE

Se utiliza para medir la impedancia de las cápsulas MC.

- Durante la medición, se ilumina el indicador situado sobre el botón.
- No hay sonido de reproducción durante la medición de la impedancia.

## G Mando de selección EQ CURVE

Con él se selecciona la curva que suene natural según el disco que se esté reproduciendo. Las opciones son RIAA (curva para la reproducción de discos LP estéreo), DECCA (discos LP de DECCA) y COLUMBIA (discos LP de Columbia) (página 39).

## H Selector INPUT

Se utiliza para seleccionar los terminales que están conectados al plato giradiscos analógico.

## I Botón MONO

Actívalo cuando utilice una cápsula monoaural.

- El indicador situado sobre el botón se ilumina cuando está activado.

## J Botón de filtro SUBSONIC

Cuando está activado, se aplica un filtro con una frecuencia de corte de 17 Hz y una pendiente de  $-24$  dB/oct. Cuando se reproduce un disco deformado, la activación de este filtro puede reducir movimientos innecesarios en los conos de los altavoces de graves (woofers).

- El indicador situado sobre el botón se ilumina cuando está activado.

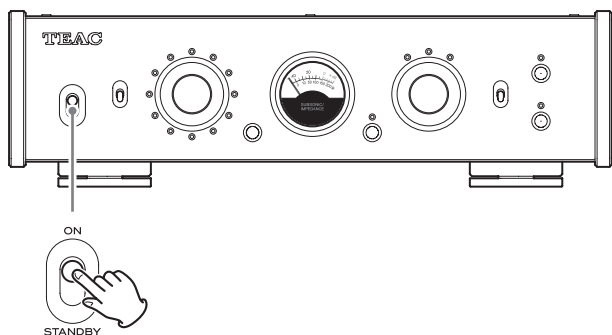
# Funcionamiento básico

## Encendido de la unidad

### 1 Ajuste el volumen del amplificador al mínimo.

Si usa un dispositivo que no permita ajustar el volumen cuando está apagado, ajuste el volumen al mínimo después de encenderlo.

### 2 Ajuste el interruptor STANDBY/ON en "ON".



- Si se ilumina el indicador situado encima del botón MEASURE, pulse el botón MEASURE para apagarlo.

### 3 Reproduzca un disco y ajuste el volumen en el amplificador.

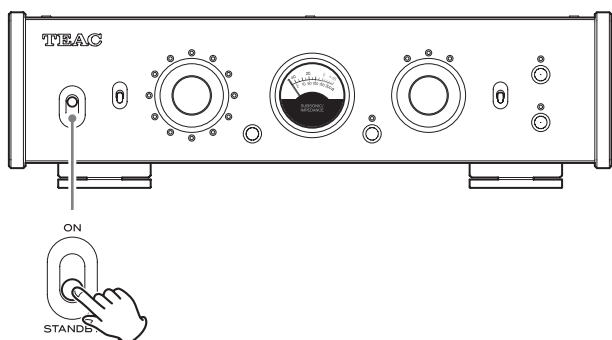
### 4 Use el mando de selección EQ CURVE para seleccionar la curva que suene natural según el disco que se esté reproduciendo.

## Poner la unidad en reposo (standby)

### 1 Si se está reproduciendo un disco, pare la reproducción.

### 2 Ajuste el volumen del amplificador al mínimo.

### 3 Ajuste el interruptor STANDBY/ON en "STANDBY".



### 4 Apague el amplificador.

## Ajustar la impedancia de carga

### Cuando se utiliza una cápsula MC

Si la cápsula MC utilizada tiene una resistencia de carga (impedancia de carga) recomendada, seleccione un ajuste cercano a ese valor. Si no se especifica, seleccione el valor que proporcione la mejor calidad de sonido. Cuanto más baja sea la resistencia de carga, menor será el volumen. Cuanto más alta sea la resistencia de carga, más aumentará el volumen.

Una resistencia de carga estándar es 100  $\Omega$ .

- La resistencia de carga no se refiere a la resistencia interna de la cápsula (impedancia interna, impedancia de la bobina).
- Seleccione una resistencia de carga que sea lo suficientemente alta para la resistencia interna de la cápsula que se esté utilizando.
- La selección de una resistencia de carga que no sea lo suficientemente grande en relación con la resistencia interna de la cápsula reducirá el volumen del sonido y aumentará el ruido.

### Cuando se utiliza una cápsula MM

Si la cápsula MM utilizada tiene una capacidad de carga recomendada, pruebe a ajustar el mando en una posición cercana a ese valor. Si no se especifica, seleccione el valor que proporcione la mejor calidad de sonido.

## Medición de la impedancia de una cápsula MC

Utilice una onda senoidal de 1 kHz para medir la impedancia de todo el recorrido de la señal, incluida la cápsula MC y el cable que conecta el plato giradiscos analógico con este dispositivo. Ajuste esta unidad para recibir una impedancia de carga que sea aproximadamente dos veces la impedancia determinada por la medición.

### 1 Retire el brazo del plato giradiscos analógico del disco.

### 2 Pulse el botón MEASURE y el indicador se iluminará.

- El medidor cambiará automáticamente al nivel de iluminación intensa.

### 3 Lea la impedancia en la escala indicativa de la parte inferior del medidor.

#### ATENCIÓN

- La impedancia y la capacidad de carga de las cápsulas MM no se pueden medir.
- No mida la impedancia durante la reproducción de un disco.
- No hay sonido de reproducción durante la medición de la impedancia.

# Funcionamiento básico

## Función de desmagnetización fácil

La utilización de la función de desmagnetización fácil para desmagnetizar cápsulas MC con núcleos de hierro y transformadores elevadores, por ejemplo, puede mejorar la calidad del sonido haciéndolo más claro y dándole mayor definición.

### 1 Ajuste el mando de selección de impedancia en "DEMAG".

La impedancia de carga se ajusta en 0  $\Omega$  y ambos extremos de la cápsula se cortocircuitan.

### 2 Reproduzca un disco.

La señal de reproducción pasa por la cápsula y la desmagnetiza.

- La desmagnetización dura unos 30 segundos. Mantenga el disco reproduciéndose durante unos 30 segundos.
- No se escucha sonido de reproducción cuando el mando de selección de impedancia está ajustado en "DEMAG".

### 3 Restablezca el mando de selección de impedancia a su posición anterior.

## Características de las curvas del ecualizador (constante de tiempo)

### RIAA

3180  $\mu$ s/318  $\mu$ s/75  $\mu$ s

### Decca (discos LP de DECCA)

1590  $\mu$ s/318  $\mu$ s/60  $\mu$ s

### Columbia (discos LP de Columbia)

1590  $\mu$ s/318  $\mu$ s/100  $\mu$ s

- Hay diversidad de opiniones acerca de las curvas del ecualizador.
- Pruebe una curva diferente si el sonido no parece natural al utilizar la curva RIAA para reproducir un disco antiguo, incluso aunque se trate de un LP estéreo.

## Función de ahorro de energía automático

Esta unidad tiene una función de ahorro de energía automático.

- Esta función sale activada de fábrica.

### Cuando la función de ahorro de energía automático está activada

La unidad entrará en reposo (standby)\* si no se produce ninguna operación durante aproximadamente 30 minutos.

Si se realiza alguna operación con la unidad cuando está en modo de reposo, la función de ahorro de energía automático se desactivará y la unidad se encenderá.

### Cuando la función de ahorro de energía automático está desactivada

La unidad no entrará en reposo automáticamente.

\* El consumo de corriente es de 0,5 W o menos en estado de reposo (standby).

## Comprobación del ajuste

Si el ahorro de energía automático está desactivado, todos los indicadores de impedancia se iluminarán momentáneamente al encender la unidad.

## Ajuste de la función de ahorro de energía automático

Utilice el siguiente procedimiento para activar o desactivar la función de ahorro de energía automático.

Mientras pulsa el botón MEASURE, ajuste el interruptor STANDBY/ON en "ON". Continúe pulsando el botón MEASURE hasta que todos los indicadores se iluminen (unos tres segundos).

## Restablecer los ajustes predeterminados

Mientras pulsa el botón METER, ajuste el interruptor STANDBY/ON en "ON". Continúe pulsando el botón METER hasta que todos los indicadores se iluminen (unos tres segundos).



# Solución de problemas

Si tiene un problema con esta unidad, por favor dedique un momento a revisar la información que le proporcionamos a continuación antes de solicitar servicio técnico. Si aun así no funciona correctamente, póngase en contacto con el distribuidor donde compró la unidad.

## La unidad no se enciende.

- ➔ Compruebe que el cable de corriente está bien conectado en la toma de electricidad. Si la toma de electricidad tiene un interruptor, confirme que este se encuentra en la posición de activado.
- ➔ Conecte un dispositivo eléctrico diferente en la toma de electricidad para confirmar que suministra corriente.
- ➔ Si la unidad está en reposo (standby) a causa de la función de ahorro de energía automático, ponga el interruptor STANDBY/ON en "STANDBY" una vez y después vuelva a ponerlo en "ON".

## Hay un zumbido.

- ➔ Si hay un cable de conexión cerca de un cable de corriente, de un fluorescente o de otra causa de interferencias similar, aumente la distancia entre ellos tanto como sea posible.
- ➔ Compruebe el cable que conecta el plato giradiscos analógico al terminal de tierra (FRAME GND) de esta unidad.
- ➔ El hecho de que haya o no una conexión de tierra con el plato giradiscos analógico puede afectar a cómo se oiga el ruido.

## No sale sonido.

- ➔ Si hay un amplificador estéreo conectado a esta unidad, ajuste el volumen en el amplificador.
- ➔ Si se ilumina el indicador situado encima del botón MEASURE, pulse el botón MEASURE para apagarlo.
- ➔ Compruebe el ajuste de impedancia de carga (página 39).
- ➔ Reconfirme las conexiones entre los equipos.

## El sonido es extraño o se escucha como "roto"

- ➔ Compruebe los terminales conectados al amplificador. Conecte esta unidad a los terminales de entrada de línea (LINE IN) u otra entrada de audio del amplificador.
- ➔ Compruebe el ajuste de impedancia de carga (página 39).
- ➔ Ajuste el selector GAIN en "LOW".
- ➔ Cuando conecte la unidad a un plato giradiscos analógico con amplificador ecualizador "phono" incorporado, desactive la salida del amplificador ecualizador "phono".

## El volumen es bajo.

- ➔ Compruebe el ajuste de impedancia de carga (página 39).
- ➔ Ajuste el selector GAIN en "HIGH".

## El nivel de ruido blanco es demasiado alto.

- ➔ Compruebe los cables de audio conectados al plato giradiscos analógico.
- ➔ Cuando utilice una cápsula MC, el ajuste de impedancia de carga puede afectar al ruido.

Dado que esta unidad utiliza un microcontrolador, ruidos externos y otras interferencias pueden producir anomalías de funcionamiento en la unidad. Si esto ocurre, desenchufe el cable de corriente, espere un rato y después vuelva a encender la unidad para restablecer el funcionamiento.

# Especificaciones

## Entradas

Terminales RCA	1 par (para MC/MM)
Terminales XLR	1 par (para MC)
Impedancia de entrada	
MC	10 $\Omega$ , 22 $\Omega$ , 47 $\Omega$ , 100 $\Omega$ , 220 $\Omega$ , 470 $\Omega$ , 1 k $\Omega$ (seleccionable mediante mando de ajuste)
MM	47 k $\Omega$
Capacidad de carga	0 pF, 100 pF, 220 pF, 330 pF (seleccionable mediante mando de ajuste)

## Salidas

Terminales RCA	1 par
Terminales XLR	1 par
Impedancia de salida	
Terminales RCA	63 $\Omega$
Terminales XLR	126 $\Omega$

## Prestaciones de audio

Voltaje de salida nominal	
Salida RCA	2 Vrms
Salida XLR	4 Vrms
Desviación RIAA (20 Hz – 20 kHz)	$\pm 0,05$ dB
Distorsión armónica total	
Salida nominal, 1 kHz, GAIN en "LOW"	
Entrada RCA (MM)	0,002 %
Entrada RCA (MC)	0,02 %
Entrada XLR (MC)	0,02 %
Voltaje de ruido residual (corto en entrada, GAIN en "LOW", IHF-A)	
Entrada RCA (MM)	10 $\mu$ V
Entrada RCA (MC)	65 $\mu$ V
Entrada XLR (MC)	85 $\mu$ V
Relación señal/ruido (corto en entrada, salida nominal, GAIN en "LOW", IHF-A)	
Entrada RCA (MM)	106 dB
Entrada XLR (MC)	86 dB
Separación de canales (MM, 10 kHz, GAIN en "LOW")	-90 dB o superior
Ganancia	
GAIN LOW	
Entrada RCA (MM)	34 dB
Entrada RCA (MC)	54 dB
Entrada XLR (MC)	54 dB
GAIN HIGH	
Entrada RCA (MM)	46 dB
Entrada RCA (MC)	66 dB
Entrada XLR (MC)	66 dB
Filtro subsónico	17 Hz, -24 dB/octava

Máximo voltaje de entrada permisible (distorsión 0,1 %, GAIN en "LOW")

Entrada RCA (MM)	150 mV
Entrada RCA (MC)	16 mV
Entrada XLR (MC)	16 mV

## General

Alimentación

Modelo para Europa	CA 220–240 V, 50/60 Hz
Modelo para EE. UU./Canadá	CA 120 V, 60 Hz

Consumo de corriente

290 × 84,5 × 252,5 mm

Peso

## Accesorios incluidos

Cable de corriente × 1

Almohadillas de goma × 3

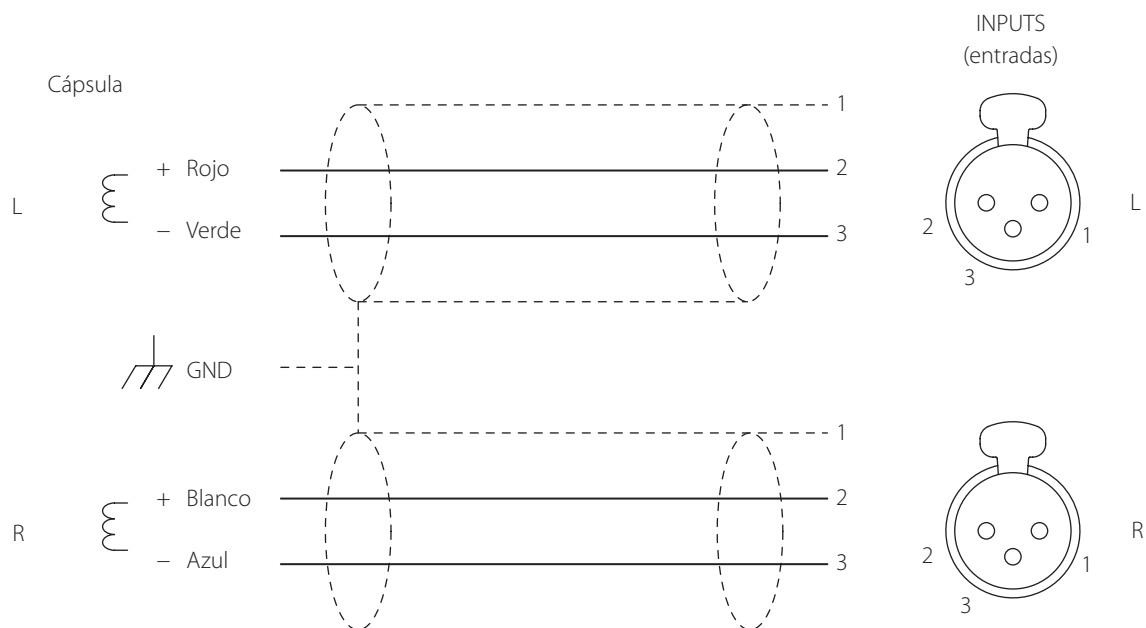
Manual del usuario (este documento, incluida la garantía) × 1

- Los usuarios que vivan en EE. UU. y Canadá encontrarán información sobre la garantía en las páginas 44–45 y en la contraportada (documento de garantía). Los usuarios que vivan en Europa y otras áreas deben consultar la página 45.
- Las especificaciones y el diseño están sujetos a cambios sin previo aviso.
- El peso y las dimensiones son aproximados.
- Las ilustraciones de este manual pueden diferir ligeramente de los modelos de producción.

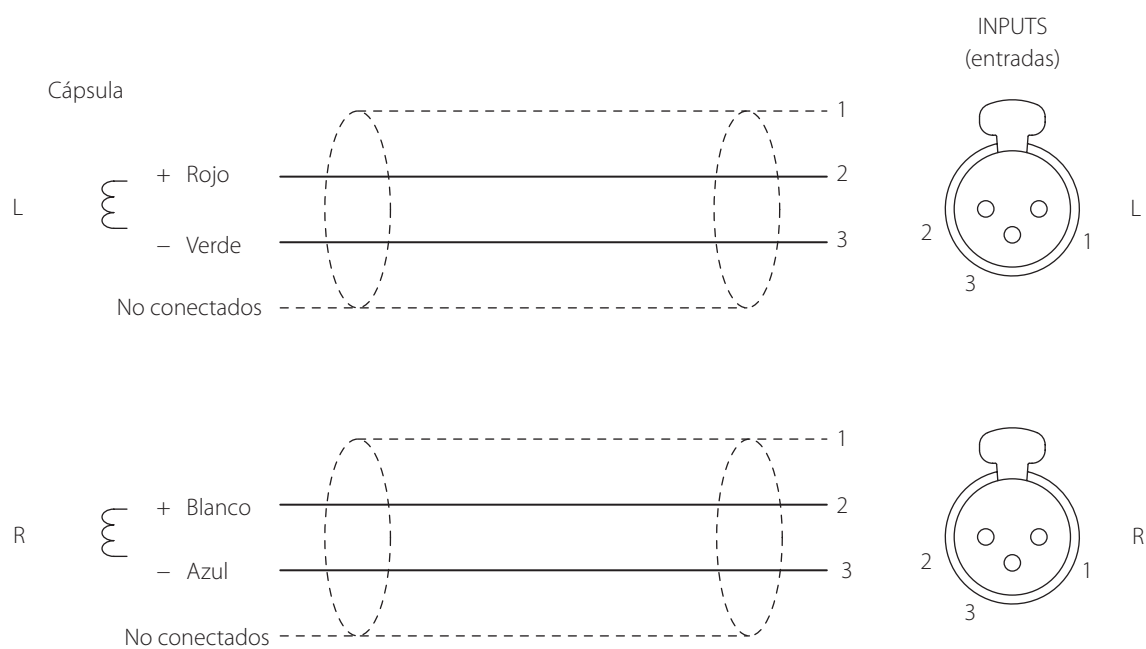
# Diagramas de conexión de los cables XLR

Cuando use cables XLR con esta unidad, utilice uno de los tipos de conexión indicados a continuación.

## Tipo 1



## Tipo 2



# WARRANTY/GARANTIE/GARANTÍA

## Warranty provisions (United States and Canada only)

### Length of Warranty

The parts and labor warranty will be effective for one (1) year from the date of the original purchase for products not used for commercial purposes. For products used commercially, the warranty is ninety (90) days for magnetic heads and optical pickups, one (1) year for all other parts and ninety (90) days for labor.

### Who Is Covered Under This Warranty

This warranty is valid only in the United States or Canada, dependent upon the country in which original purchase was made, and enforceable only by the original purchaser within the country in which the purchase was made.

This warranty is not valid if the product was purchased through an unauthorized dealer.

### What Is Not Covered Under This Warranty

- Damage to or deterioration of the external cabinet.
- Damage resulting from accident, misuse, abuse, or neglect.
- Damage resulting from failure to follow instructions contained in the products owners' manual or otherwise provided with the product.
- Damage occurring during shipment of the product (Claims must be presented to the carrier).
- Damage resulting from the repair or attempted repair by anyone other than TEAC or an authorized TEAC service station.
- Damage resulting from modification or attempted modification of product not authorized by TEAC.
- Damage resulting from causes other than product defects, including lack of technical skills, competence, or experience of the user.
- Damage to any unit that has been altered or which the serial number has been defaced, modified or removed.

### What TEAC Will Pay For

TEAC will pay all labor and material expenses for items covered by the warranty. Payment of shipping charges is covered in the next section.

### How To Obtain Warranty Service

Your unit must be serviced by an authorized TEAC service station within the country in which the product was purchased. If you are unable to locate an authorized service station in your area, please contact TEAC at the applicable address shown at the end of this warranty statement. PLEASE DO NOT RETURN YOUR UNIT TO TEAC WITHOUT OUR PRIOR AUTHORIZATION. You must pay shipping charges if it is necessary to ship the product for service. However, if the necessary repairs are covered by warranty, we will pay the return shipping charges to any destination within the country in which the product was purchased. Whenever warranty service is required, you must present the original dated sales receipt, or other proof indicating the purchase place and date, as proof of warranty coverage.

### LIMITATION OF IMPLIED WARRANTIES

ALL IMPLIED WARRANTIES, INCLUDING WARRANTIES OF MERCHANTABILITY AND FITNESS FOR A PARTICULAR PURPOSE, ARE LIMITED IN DURATION TO THE LENGTH OF THIS WARRANTY.

### EXCLUSION OF DAMAGES

TEAC'S LIABILITY FOR ANY DEFECTIVE PRODUCT IS LIMITED TO REPAIR OR REPLACEMENT OF THE PRODUCT, AT TEAC'S OPTION. TEAC SHALL NOT BE LIABLE FOR DAMAGE BASED UPON INCONVENIENCE, LOSS OF USE OF THE PRODUCT, INTERRUPTED OPERATION, COMMERCIAL LOSS OR LOST PROFITS, OR ANY OTHER DAMAGES, WHETHER INCIDENTAL, CONSEQUENTIAL, PUNITIVE OR OTHERWISE.

SOME STATES OR PROVINCES DO NOT ALLOW LIMITATIONS ON HOW LONG AN IMPLIED WARRANTY LASTS AND/OR DO NOT ALLOW THE EXCLUSION OR LIMITATION OF INCIDENTAL OR CONSEQUENTIAL DAMAGES, SO THE ABOVE LIMITATIONS AND EXCLUSIONS MAY NOT APPLY TO YOU.

THIS WARRANTY GIVES YOU SPECIFIC RIGHTS, AND MAY VARY FROM SOME OF THE RIGHTS PROVIDED BY LAW. THESE RIGHTS MAY VARY FROM STATE TO STATE OR PROVINCE TO PROVINCE.

## Conditions de garantie (États-Unis et Canada uniquement)

### Durée de la garantie

La garantie pièces et main d'oeuvre sera valable un (1) an à compter de la date d'achat initial des produits non utilisés dans un but commercial. Pour les produits à utilisation commerciale, la garantie des têtes magnétiques et capteurs optiques est de quatre-vingt dix (90) jours, elle est d'un (1) an pour les autres pièces et quatre-vingt dix (90) jours pour la main d'oeuvre.

### Bénéficiaire de la garantie

Cette garantie n'est valable qu'aux États-Unis et au Canada, selon le pays d'achat initial, et ne s'applique qu'à l'acquéreur initial dans le pays d'achat. Cette garantie n'est pas valable si le produit a été acheté auprès d'un revendeur non autorisé.

### Ce qui n'est pas couvert par cette garantie

- Les dommages ou détériorations du boîtier externe.
- Les dommages résultant d'un accident, d'une mauvaise utilisation, d'un abus ou d'une négligence.
- Les dommages résultant du non-respect des instructions contenues dans le mode d'emploi du produit ou fournies avec le produit.
- Les dommages survenus durant le transport du produit (les réclamations doivent être adressées au transporteur).
- Les dommages résultant d'une réparation ou tentative de réparation effectuée par toute personne extérieure au service après-vente TEAC ou agréé par TEAC.
- Les dommages résultant d'une modification ou tentative de modification de produit non autorisée par TEAC.

- Les dommages résultant de causes autres que des défauts de produit, y compris le manque d'aptitude technique, de compétence ou d'expérience de l'utilisateur.
- Les dommages de toute unité ayant été modifiée ou dont le numéro de série a été effacé, modifié ou retiré.

### Frais pris en charge par TEAC

TEAC prendra en charge tous les frais de pièces et main d'oeuvre pour les articles couverts par la garantie. Les frais d'expédition sont évoqués dans la section suivante.

### Comment obtenir une intervention sous garantie

Votre unité doit être réparée par un service après-vente agréé par TEAC dans le pays d'achat du produit. Si vous ne trouvez pas de service après-vente agréé dans votre région, veuillez contacter TEAC à l'adresse appropriée donnée à la fin de cette garantie. VEUILLEZ NE PAS RENVOYER VOTRE UNITÉ CHEZ TEAC SANS NOTRE AUTORISATION PRÉALABLE. Si le produit doit être renvoyé pour réparation, les frais d'expédition sont à votre charge. Toutefois, si les réparations nécessaires sont couvertes par la garantie, nous prendrons à notre charge les frais de retour vers toute destination dans le pays d'achat du produit. Lorsqu'une réparation sous garantie est requise, vous devez présenter comme preuve de couverture par la garantie la facture d'achat originale datée ou une autre preuve d'achat mentionnant le lieu et la date d'achat.

### LIMITATION DES GARANTIES IMPLICITES

TOUTES LES GARANTIES IMPLICITES, Y COMPRIS LES GARANTIES DE QUALITÉ MARCHANDE ET D'ADÉQUATION À UN USAGE PARTICULIER, SONT LIMITÉES À LA DURÉE DE CETTE GARANTIE.

### EXCLUSION DE DOMMAGES

LA RESPONSABILITÉ DE TEAC VIS-À-VIS DE TOUT PRODUIT DÉFECTUEUX EST LIMITÉE À LA RÉPARATION OU AU REMPLACEMENT DU PRODUIT, AU GRÉ DE TEAC. TEAC NE POURRA ÊTRE TENU POUR RESPONSABLE DE QUELCONQUES DOMMAGES SE RAPPORTANT AU DÉRANGEMENT, À LA PERTE D'USAGE DU PRODUIT, À L'INTERRUPTION DE L'UTILISATION, AUX PERTES COMMERCIALES OU DE PROFITS, NI D'AUCUN AUTRE DOMMAGE, QU'IL SOIT ACCESSOIRE, INDIRECT, PUNITIF OU AUTRE.

CERTAINS ÉTATS OU PROVINCES N'AUTORISENT PAS DE LIMITATIONS DE DURÉE D'UNE GARANTIE IMPLICITE ET/OU N'AUTORISENT PAS L'EXCLUSION OU LA LIMITATION DES DOMMAGES ACCESSOIRES OU INDIRECTS, AUQUEL CAS LES LIMITATIONS ET EXCLUSIONS CI-DESSUS PEUVENT NE PAS VOUS ÊTRE APPLICABLES.

CETTE GARANTIE VOUS DONNE DES DROITS SPÉCIFIQUES QUI PEUVENT ÊTRE DIFFÉRENTS DE CERTAINS DROITS OCTROYÉS PAR LA LOI. CES DROITS PEUVENT VARIER D'UN ÉTAT À L'AUTRE OU D'UNE PROVINCE À L'AUTRE.

## Europe/Europa

This product is subject to the legal warranty regulations of the country of purchase. In case of a defect or a problem, please contact the dealer where you bought the product.

Ce produit est sujet aux réglementations concernant la garantie légale dans le pays d'achat. En cas de défaut ou de problème, veuillez contacter le revendeur chez qui vous avez acheté le produit.

Las condiciones de garantía de este aparato están sujetas a las disposiciones legales sobre garantía del país en el que ha sido adquirido. En caso de garantía, debe dirigirse al establecimiento donde adquirió el aparato.

## In countries/regions other than the USA, Canada and Europe

This warranty gives you specific legal rights, and you may also have other rights that vary by country, state or province.

If you have a warranty claim or request, please contact the dealer where you bought the product.

该保证书赋予了顾客特定的合法权利，并且因国家，州或省等地域的不同，顾客可能拥有其他权利。如需申请或要求保修，请与购买本产品的销售店进行联系。





**WARRANTY/GARANTIE (United States and Canada only/États-Unis et Canada uniquement)**

Model/Modèle: **PE-505**

Serial No./N° de série

Owner's address/Adresse du propriétaire

---

Date of purchase/Date de l'achat

Dealer's name/Nom du revendeur

---

Owner's name/Nom du propriétaire

Dealer's address/Adresse du revendeur

---

---

**TEAC**

---

TEAC CORPORATION

1-47 Ochiai, Tama-shi, Tokyo 206-8530, Japan  
<https://teac.jp/int/>

This product has a serial number located on the rear panel. Please write it here and retain this for your records.

Model name: PE-505

Serial number: \_\_\_\_\_