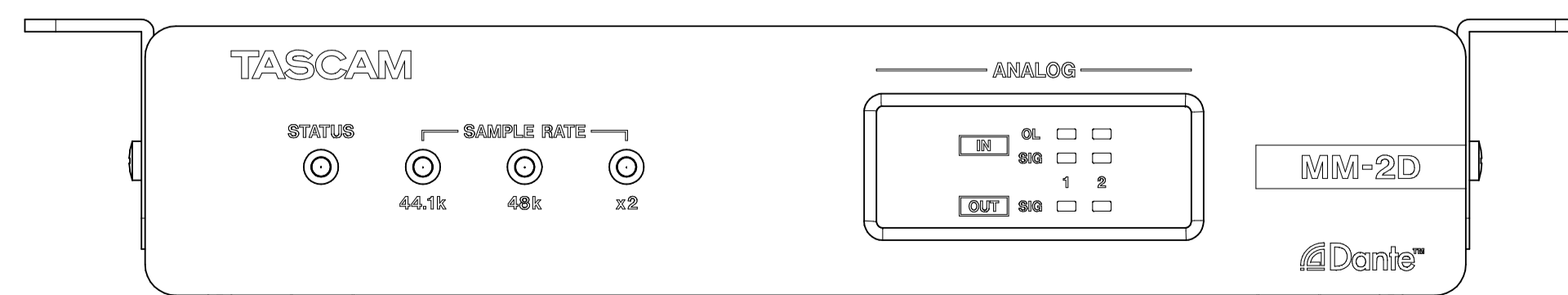


[Without BRACKETS]



[With BRACKETS]

UNIT : mm [inches]